



**MEGADYNE**



# ***METAL DRIVE COMPONENTS***

TECHNICAL  
HANDBOOK

EN

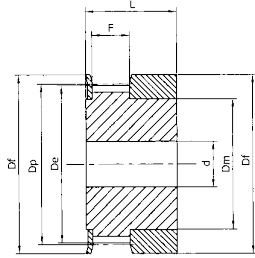
**PULEGGE PER CINGHIE DENTATE**  
**TIMING BELT PULLEYS**



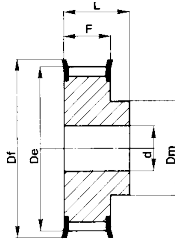
**PULEGGE DENTATE PER CINGHIE CON PROFILO HTD  
TIMING BELT PULLEYS HTD PROFILE**



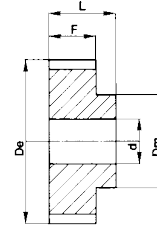
# PULEGGE DENTATE PER CINGHIE CON PROFILO HTD TIMING BELT PULLEYS HTD PROFILE



Tipo / Type  
1F



Tipo / Type  
6F



Tipo / Type  
6

## HTD Profile 3M-06

Caratteristiche Features Merkmale Características	Descrizione Description Beschreibung Description Descripción	Tipo Type Typ Type Tipo	Codice flangia Flange code Bordscheiben Typ Code flasque Código brida	N. denti N. of teeth / Zähnezahl N. bre de dents Cantidad de dientes	Dp	De	Df	Dm	F	L	Foro stock Stock bore Vor bohrung Alesage en stock Agujero de stock	Peso Weight / Gewicht Poids / Peso Kg
Alluminio / Aluminium / Aluminium / Aluminium / Aluminium 6082 T6 UNI 9006/4	con flangia / with flanges mit Flanges / avec flasques con tapetas	10 3M 06	1F	FL501	10	9,55	8,79	13,0	6,0	7,2	14,5	4
		12 3M 06	1F	FL502	12	11,46	10,70	15,0	8,0	7,2	14,5	4
		14 3M 06	1F	FL503	14	13,37	12,61	16,0	9,5	7,2	14,5	4
		15 3M 06	1F	FL516	15	14,32	13,56	17,5	10,5	7,2	14,5	4
		16 3M 06	6F	FL504	16	15,28	14,52	17,5	10,0	9,8	17,5	4
		18 3M 06	6F	FL505	18	17,19	16,43	20,0	11,0	9,8	17,5	6
		20 3M 06	6F	FL517	20	19,10	18,34	23,0	13,0	9,8	17,5	6
		21 3M 06	6F	FL518	21	20,05	19,29	25,0	13,0	9,8	17,5	6
		22 3M 06	6F	FL518	22	21,01	20,25	25,0	13,0	9,8	17,5	6
		24 3M 06	6F	FL518	24	22,92	22,16	25,0	13,0	9,8	17,5	6
		26 3M 06	6F	FL508	26	24,83	24,07	28,0	16,0	9,8	17,5	6
		28 3M 06	6F	FL509	28	26,74	25,98	32,0	18,0	9,8	17,5	6
		30 3M 06	6F	FL509	30	28,65	27,89	32,0	20,0	9,8	17,5	6
		32 3M 06	6F	FL510	32	30,56	29,80	36,0	22,0	9,8	17,5	6
		36 3M 06	6F	FL519	36	34,38	33,62	39,0	26,0	10,3	18,0	6
40 3M 06	6F	FL513	40	38,20	37,44	42,0	28,0	10,3	18,0	6		
44 3M 06	6F	FL520	44	42,02	41,26	48,0	33,0	10,3	18,0	6		
senza flangia / without flanges ohne Flanschen / sans flasques sin tapetas		48 3M 06	6	-	48	45,84	45,08	-	33,0	10,3	18,6	8
		60 3M 06	6	-	60	57,30	56,54	-	33,0	10,3	18,6	8
		72 3M 06	6	-	72	68,75	67,99	-	33,0	10,3	18,6	8

# PULEGGE DENTATE PER CINGHIE CON PROFILO HTD TIMING BELT PULLEYS HTD PROFILE

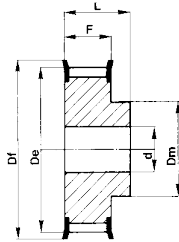
## HTD Profile 3M-09

Caratteristiche Features Merkmale Características	Descrizione Description Beschreibung Description Descripción	Tipo Type Typ Tipo	Codice flangia Flange code Bordscheiben Typ Code flasque Código brida	N. denti N. of teeth / Zzhnezahl N. bre de dents Cantidad de dientes	Dp	De	Df	Dm	F	L	Foro stock Stock bore Vor bohrung Alesage en stock Agujero de stock	Peso Weight / Gewicht Poids / Peso Kg			
Alluminio / Aluminium / Aluminum / Alumínio / Aluminiu / 6082 T6 UNI 9006/4	con flangia / with flanges mit Flanges / avec flasques con tapetas	10 3M 09	1F	FL501	10	9,55	8,79	13,0	6,0	10,2	17,5	4	0,004		
		12 3M 09	1F	FL502	12	11,46	10,70	15,0	8,0	10,2	17,5	4	0,006		
		14 3M 09	1F	FL503	14	13,37	12,61	16,0	9,5	10,2	17,5	4	0,007		
		15 3M 09	1F	FL516	15	14,32	13,56	17,5	10,5	10,2	17,5	4	0,008		
		16 3M 09	6F	FL504	16	15,28	14,52	17,5	10,0	12,8	20,6	4	0,007		
		18 3M 09	6F	FL505	18	17,19	16,43	20,0	10,6	12,8	20,6	6	0,008		
		20 3M 09	6F	FL517	20	19,10	18,34	23,0	12,4	12,8	20,6	6	0,010		
		21 3M 09	6F	FL518	21	20,05	19,29	25,0	13,0	12,8	20,6	6	0,013		
		22 3M 09	6F	FL518	22	21,01	20,25	25,0	13,0	12,8	20,6	6	0,014		
		24 3M 09	6F	FL518	24	22,92	22,16	25,0	13,0	12,8	20,6	6	0,016		
		26 3M 09	6F	FL508	26	24,83	24,07	28,0	16,0	12,8	20,6	6	0,018		
		28 3M 09	6F	FL509	28	26,74	25,98	32,0	18,0	12,8	20,6	6	0,024		
		30 3M 09	6F	FL509	30	28,65	27,89	32,0	20,0	12,8	20,6	6	0,028		
		32 3M 09	6F	FL510	32	30,56	29,80	36,0	22,0	12,8	20,6	6	0,032		
		36 3M 09	6F	FL519	36	34,38	33,62	39,0	26,0	13,4	22,2	6	0,045		
		40 3M 09	6F	FL513	40	38,20	37,44	42,0	28,0	13,4	22,2	6	0,055		
		44 3M 09	6F	FL520	44	42,02	41,26	48,0	33,0	13,4	22,2	6	0,074		
		senza flangia / without flanges / ohne Flanschen sans flasques / sin tapetas		48 3M 09	6		48	45,84	45,08	-	33,0	13,4	22,2	8	0,074
				60 3M 09	6		60	57,30	56,54	-	33,0	13,4	22,2	8	0,106
				72 3M 09	6		72	68,75	67,99	-	33,0	13,4	22,2	8	0,145

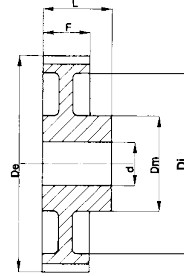
## HTD Profile 3M-15

Caratteristiche Features Merkmale Características	Descrizione Description Beschreibung Description Descripción	Tipo Type Typ Tipo	Codice flangia Flange code Bordscheiben Typ Code flasque Código brida	N. denti N. of teeth / Zzhnezahl N. bre de dents Cantidad de dientes	Dp	De	Df	Dm	F	L	Foro stock Stock bore Vor bohrung Alesage en stock Agujero de stock	Peso Weight / Gewicht Poids / Peso Kg			
Alluminio / Aluminium / Aluminum / Alumínio / Aluminiu / 6082 T6 UNI 9006/4	con flangia / with flanges mit Flanges / avec flasques con tapetas	10 3M 15	1F	FL501	10	9,55	8,79	13,0	6,0	17,0	26,0	4	0,006		
		12 3M 15	1F	FL502	12	11,46	10,70	15,0	8,0	17,0	26,0	4	0,008		
		14 3M 15	1F	FL503	14	13,37	12,61	16,0	9,5	17,0	26,0	4	0,010		
		15 3M 15	1F	FL516	15	14,32	13,56	17,5	10,5	17,0	26,0	4	0,012		
		16 3M 15	6F	FL504	16	15,28	14,52	17,5	10,0	19,5	26,0	4	0,010		
		18 3M 15	6F	FL505	18	17,19	16,43	20,0	10,6	19,5	26,0	6	0,012		
		20 3M 15	6F	FL517	20	19,10	18,34	23,0	12,4	19,5	26,0	6	0,014		
		21 3M 15	6F	FL518	21	20,05	19,29	25,0	13,0	19,5	26,0	6	0,016		
		22 3M 15	6F	FL518	22	21,01	20,25	25,0	13,0	19,5	26,0	6	0,018		
		24 3M 15	6F	FL518	24	22,92	22,16	25,0	13,0	19,5	26,0	6	0,020		
		26 3M 15	6F	FL508	26	24,83	24,07	28,0	16,0	19,5	26,0	6	0,027		
		28 3M 15	6F	FL509	28	26,74	25,98	32,0	18,0	19,5	26,0	6	0,030		
		30 3M 15	6F	FL509	30	28,65	27,89	32,0	20,0	19,5	26,0	6	0,035		
		32 3M 15	6F	FL510	32	30,56	29,80	36,0	22,0	19,5	26,0	6	0,042		
		36 3M 15	6F	FL519	36	34,38	33,62	39,0	26,0	20,0	30,0	6	0,060		
		40 3M 15	6F	FL513	40	38,20	37,44	42,0	28,0	20,0	30,0	6	0,075		
		44 3M 15	6F	FL520	44	42,02	41,26	48,0	33,0	20,0	30,0	6	0,095		
		senza flangia / without flanges / ohne Flanschen sans flasques / sin tapetas		48 3M 15	6	-	48	45,84	45,08	-	33,0	20,0	30,0	8	0,103
				60 3M 15	6	-	60	57,30	56,54	-	33,0	20,0	30,0	8	0,150
				72 3M 15	6	-	72	68,75	67,99	-	33,0	20,0	30,0	8	0,212

# PULEGGE DENTATE PER CINGHIE CON PROFILO HTD TIMING BELT PULLEYS HTD PROFILE



**Tipo / Type  
6F**



**Tipo / Type  
6W**

## HTD Profile 5M-09

Caratteristiche Features Merkmale Características Características	Descrizione Description Beschreibung Description Descripción	Tipo Type Typ Type Tipo	Codice flangia Flange code Bordscheiben Typ Code flasque Código brida	N. denti N. of teeth / Zähnezahl N. bre de dents Cantidad de dientes	Dp	De	Df	Dm	Di	F	L	Foro stock Stock bore Vor bohrung Alésage en stock Agujero de stock	Peso Weight / Gewicht Poids / Peso Kg	
Acciaio / Steel / Stahl Acier / Acero	con flangia / with flanges mit Flanges / avec flasques con tapetas	<b>12 5M 09</b>	6F	FL014	12	19,10	17,96	23,0	12,0	-	14,5	20,0	4	0,028
	<b>14 5M 09</b>	6F	FL002	14	22,28	21,14	25,0	13,0	-	14,5	20,0	6	0,034	
	<b>15 5M 09</b>	6F	FL004	15	23,87	22,73	28,0	16,0	-	14,5	20,0	6	0,042	
	<b>16 5M 09</b>	6F	FL004	16	25,46	24,32	28,0	16,5	-	14,5	20,0	6	0,050	
	<b>18 5M 09</b>	6F	FL006	18	28,65	27,51	32,0	20,0	-	14,5	20,0	6	0,070	
	<b>20 5M 09</b>	6F	FL008	20	31,83	30,69	36,0	23,0	-	14,5	22,5	6	0,094	
	<b>21 5M 09</b>	6F	FL009	21	33,42	32,28	38,0	24,0	-	14,5	22,5	6	0,110	
	<b>22 5M 09</b>	6F	FL015	22	35,01	33,87	39,0	25,5	-	14,5	22,5	6	0,118	
	<b>24 5M 09</b>	6F	FL013	24	38,20	37,06	42,0	27,0	-	14,5	22,5	6	0,145	
	<b>26 5M 09</b>	6F	FL012	26	41,38	40,24	44,0	30,0	-	14,5	22,5	6	0,170	
	<b>28 5M 09</b>	6F	FL011	28	44,56	43,42	48,0	30,5	-	14,5	22,5	6	0,200	
	<b>30 5M 09</b>	6F	FL016	30	47,75	46,60	51,0	35,0	-	14,5	22,5	6	0,236	
	<b>32 5M 09</b>	6F	FL018	32	50,93	49,79	54,0	38,0	-	14,5	22,5	8	0,210	
	<b>36 5M 09</b>	6F	FL021	36	57,30	56,16	60,0	38,0	-	14,5	22,5	8	0,324	
<b>40 5M 09</b>	6F	FL025	40	63,66	62,52	71,0	38,0	-	14,5	22,5	8	0,400		
Alluminio / Aluminium Aluminium / Aluminium Aluminio	senza flangia / without flanges / ohne Flanschen sans flasques / sin tapetas	<b>44 5M 09</b>	6W	-	44	70,03	68,89	-	38,0	54	14,5	25,5	8	0,170
	<b>48 5M 09</b>	6W	-	48	76,39	75,25	-	45,0	61	14,5	25,5	8	0,182	
	<b>60 5M 09</b>	6W	-	60	95,46	94,35	-	45,0	80	14,5	25,5	8	0,230	
	<b>72 5M 09</b>	6W	-	72	114,59	113,45	-	45,0	100	14,5	25,5	8	0,270	

# PULEGGE DENTATE PER CINGHIE CON PROFILO HTD TIMING BELT PULLEYS HTD PROFILE

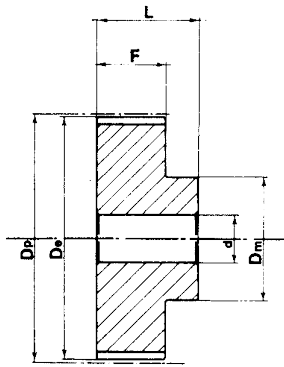
## HTD Profile 5M-15

Caratteristiche Features Merkmale Características Características	Descrizione Description Beschreibung Description Descripción	Tipo Type Typ Type Tipo	Codice flangia Flange code Bordscheiben Typ Code flasque Código brida	N. denti N. of teeth / Zähnezahl N. bre de dents Cantidad de dientes	Dp	De	Df	Dm	Di	F	L	Foro stock Stock bore Vor bohrung Alesage en stock Agujero de stock	Peso Weight / Gewicht Poids / Peso Kg		
Acciaio / Steel / Stahl Acier / Acero	con flangia / with flanges mit Flanges / avec flasques con tapetas		<b>12 5M 15</b>	6F	FL014	12	19,10	17,96	23,0	12,0	-	20,5	26,0	4	0,034
			<b>14 5M 15</b>	6F	FL002	14	22,28	21,14	25,0	13,0	-	20,5	26,0	6	0,046
			<b>15 5M 15</b>	6F	FL004	15	23,87	22,73	28,0	16,0	-	20,5	26,0	6	0,056
			<b>16 5M 15</b>	6F	FL004	16	25,46	24,32	28,0	16,5	-	20,5	26,0	6	0,064
			<b>18 5M 15</b>	6F	FL006	18	28,65	27,51	32,0	20,0	-	20,5	26,0	6	0,086
			<b>20 5M 15</b>	6F	FL008	20	31,83	30,69	36,0	23,0	-	20,5	26,0	6	0,112
			<b>21 5M 15</b>	6F	FL009	21	33,42	32,28	38,0	24,0	-	20,5	26,0	6	0,130
			<b>22 5M 15</b>	6F	FL015	22	35,01	33,87	39,0	25,5	-	20,5	26,0	6	0,140
			<b>24 5M 15</b>	6F	FL013	24	38,20	37,06	42,0	27,0	-	20,5	28,0	6	0,180
			<b>26 5M 15</b>	6F	FL012	26	41,38	40,24	44,0	30,0	-	20,5	28,0	6	0,220
			<b>28 5M 15</b>	6F	FL011	28	44,56	43,42	48,0	30,5	-	20,5	28,0	6	0,250
			<b>30 5M 15</b>	6F	FL016	30	47,75	46,60	51,0	35,0	-	20,5	28,0	6	0,300
			<b>32 5M 15</b>	6F	FL018	32	50,93	49,79	54,0	38,0	-	20,5	28,0	8	0,350
			<b>36 5M 15</b>	6F	FL021	36	57,30	56,16	60,0	38,0	-	20,5	28,0	8	0,426
	<b>40 5M 15</b>	6F	FL025	40	63,66	62,52	71,0	38,0	-	20,5	28,0	8	0,520		
Alluminio / Aluminium Aluminium / Aluminium Aluminio	senza flangia / without flanges / ohne Flanschen sans flasques / sin tapetas		<b>44 5M 15</b>	6W	-	44	70,03	68,89	-	38,0	54	20,5	30,0	8	0,225
			<b>48 5M 15</b>	6W	-	48	76,39	75,25	-	45,0	61	20,5	30,0	8	0,187
			<b>60 5M 15</b>	6W	-	60	95,46	94,35	-	45,0	80	20,5	30,0	8	0,305
			<b>72 5M 15</b>	6W	-	72	114,59	113,45	-	45,0	100	20,5	30,0	8	0,305

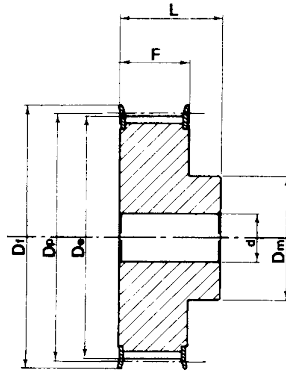
## HTD Profile 5M-25

Caratteristiche Features Merkmale Características Características	Descrizione Description Beschreibung Description Descripción	Tipo Type Typ Type Tipo	Codice flangia Flange code Bordscheiben Typ Code flasque Código brida	N. denti N. of teeth / Zähnezahl N. bre de dents Cantidad de dientes	Dp	De	Df	Dm	Di	F	L	Foro stock Stock bore Vor bohrung Alesage en stock Agujero de stock	Peso Weight / Gewicht Poids / Peso Kg		
Acciaio / Steel / Stahl Acier / Acero	con flangia / with flanges mit Flanges / avec flasques con tapetas		<b>12 5M 25</b>	6F	FL014	12	19,10	17,96	23,0	12,0	-	30,5	36,0	4	0,050
			<b>14 5M 25</b>	6F	FL002	14	22,28	21,14	25,0	13,0	-	30,5	36,0	6	0,070
			<b>15 5M 25</b>	6F	FL004	15	23,87	22,73	28,0	16,0	-	30,5	36,0	6	0,080
			<b>16 5M 25</b>	6F	FL004	16	25,46	24,32	28,0	16,5	-	30,5	36,0	6	0,100
			<b>18 5M 25</b>	6F	FL006	18	28,65	27,51	32,0	20,0	-	30,5	36,0	6	0,120
			<b>20 5M 25</b>	6F	FL008	20	31,83	30,69	36,0	23,0	-	30,5	36,0	6	0,160
			<b>21 5M 25</b>	6F	FL009	21	33,42	32,28	38,0	24,0	-	30,5	38,5	6	0,190
			<b>22 5M 25</b>	6F	FL015	22	35,01	33,87	39,0	25,5	-	30,5	38,5	6	0,210
			<b>24 5M 25</b>	6F	FL013	24	38,20	37,06	42,0	27,0	-	30,5	38,5	6	0,250
			<b>26 5M 25</b>	6F	FL012	26	41,38	40,24	44,0	30,0	-	30,5	38,5	6	0,300
			<b>28 5M 25</b>	6F	FL011	28	44,56	43,42	48,0	30,5	-	30,5	38,5	6	0,350
			<b>30 5M 25</b>	6F	FL016	30	47,75	46,60	51,0	35,0	-	30,5	38,5	6	0,420
			<b>32 5M 25</b>	6F	FL018	32	50,93	49,79	54,0	38,0	-	30,5	38,5	8	0,480
			<b>36 5M 25</b>	6F	FL021	36	57,30	56,16	60,0	38,0	-	30,5	38,5	8	0,590
	<b>40 5M 25</b>	6F	FL025	40	63,66	62,52	71,0	38,0	-	30,5	38,5	8	0,740		
Alluminio / Aluminium Aluminium / Aluminium Aluminio	senza flangia / without flanges / ohne Flanschen sans flasques / sin tapetas		<b>44 5M 25</b>	6W	-	44	70,03	68,89	-	38,0	54	30,5	40,5	8	0,320
			<b>48 5M 25</b>	6W	-	48	76,39	75,25	-	45,0	61	30,5	40,5	8	0,275
			<b>60 5M 25</b>	6W	-	60	95,46	94,35	-	45,0	80	30,5	40,5	8	0,435
			<b>72 5M 25</b>	6W	-	72	114,59	113,45	-	45,0	100	30,5	40,5	8	0,525

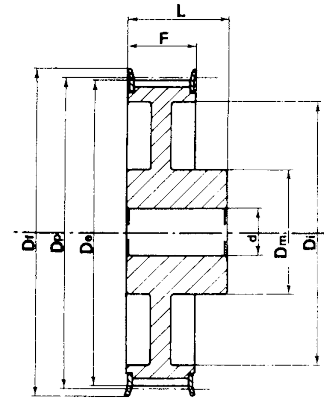
**PULEGGE DENTATE PER CINGHIE CON PROFILO HTD  
TIMING BELT PULLEYS HTD PROFILE**



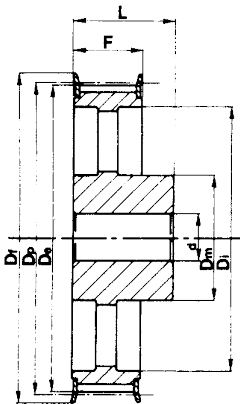
**Tipo / Type  
6**



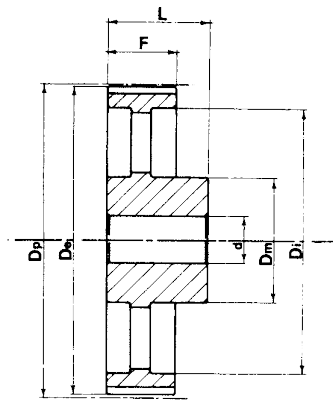
**Tipo / Type  
6F**



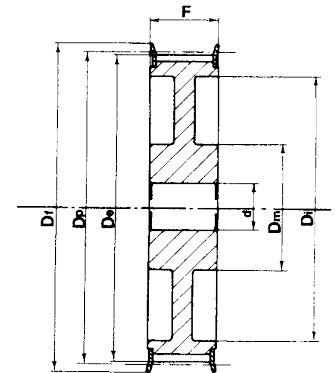
**Tipo / Type  
6WF**



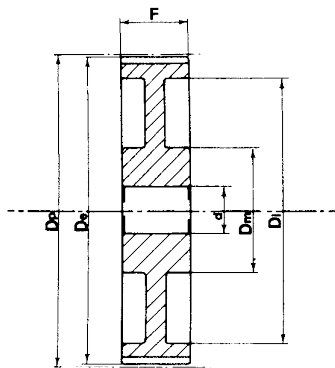
**Tipo / Type  
6AF**



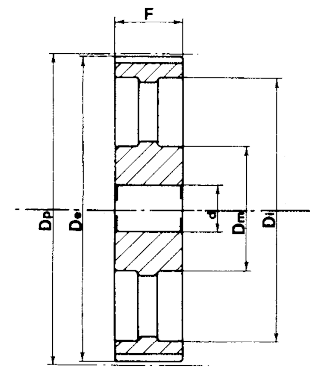
**Tipo / Type  
6A**



**Tipo / Type  
10WF**



**Tipo / Type  
10W**



**Tipo / Type  
10A**



# PULEGGE DENTATE PER CINGHIE CON PROFILO HTD TIMING BELT PULLEYS HTD PROFILE

## HTD Profile 8M-20

Caratteristiche Features Merkmale Características Características	Descrizione Description Beschreibung Description Descripción	Tipo Type Typ Type Tipo	Codice flangia Flange code Bordscheiben Typ Code flasque Código brida	N. denti N. of teeth / Zähnezahl N. bre de dents Cantidad de dientes	Dp	De	Df	Dm	Di	F	L	d	Peso Weight / Gewicht Poids / Peso Kg	
Acciaio / Steel / Stahl Acier / Acero	con flangia / with flanges mit Flanges / avec flasques con tapetas	<b>22 8M 20</b>	6F	FL053	22	56,02	54,65	60,0	43,0	-	28	38	12	0,54
		<b>24 8M 20</b>	6F	FL069	24	61,12	59,75	66,0	45,0	-	28	38	12	0,65
		<b>26 8M 20</b>	6F	FL061	26	66,21	64,84	70,0	48,0	-	28	38	12	0,80
		<b>28 8M 20</b>	6F	FL079	28	71,30	69,93	75,0	50,0	-	28	38	15	0,87
		<b>30 8M 20</b>	6F	FL073	30	76,39	75,02	83,0	55,0	-	28	38	15	1,02
		<b>32 8M 20</b>	6F	FL076	32	81,49	80,16	87,0	60,0	-	28	38	15	1,20
		<b>34 8M 20</b>	6F	FL066	34	86,58	85,22	91,0	70,0	-	28	38	15	1,40
		<b>36 8M 20</b>	6F	FL068	36	91,67	90,30	97,0	75,0	-	28	38	15	1,55
		<b>38 8M 20</b>	6F	FL070	38	96,77	95,39	102,0	75,0	-	28	38	15	1,65
		<b>40 8M 20</b>	6F	FL077	40	101,86	100,49	106,0	75,0	-	28	38	15	1,74
		<b>44 8M 20</b>	6F	FL075	44	112,05	110,67	120,0	75,0	-	28	38	15	2,10
		<b>48 8M 20</b>	6F	FL078	48	122,23	120,86	128,0	75,0	-	28	38	15	2,44
		<b>56 8M 20</b>	6WF	FL085	56	142,60	141,23	150,0	80,0	116	28	38	15	2,60
		<b>64 8M 20</b>	6WF	FL090	64	162,97	161,60	168,0	80,0	137	28	38	15	2,90
<b>72 8M 20</b>	6WF	FL097	72	183,35	181,97	192,0	80,0	158	28	38	15	3,10		
Ghisa / Cast iron Grauguss / Fonte Hierro fundido	senza flangia / without flanges / ohne Flanschen sans flasques / sin tapetas	<b>80 8M 20</b>	6W	-	80	203,72	202,35	-	90,0	180	28	38	15	3,80
		<b>90 8M 20</b>	6A	-	90	229,18	227,81	-	90,0	204	28	38	15	4,20
		<b>112 8M 20</b>	6A	-	112	285,21	283,83	-	90,0	254	28	38	18	5,20
		<b>144 8M 20</b>	6A	-	144	366,69	365,32	-	90,0	336	28	38	20	7,50
		<b>168 8M 20</b>	6A	-	168	427,81	426,44	-	100,0	400	28	38	20	10,00
		<b>192 8M 20</b>	6A	-	192	488,92	487,55	-	100,0	460	28	38	20	14,40

## HTD Profile 8M 30

Caratteristiche Features Merkmale Características Características	Descrizione Description Beschreibung Description Descripción	Tipo Type Typ Type Tipo	Codice flangia Flange code Bordscheiben Typ Code flasque Código brida	N. denti N. of teeth / Zähnezahl N. bre de dents Cantidad de dientes	Dp	De	Df	Dm	Di	F	L	d	Peso Weight / Gewicht Poids / Peso Kg	
Acciaio / Steel / Stahl Acier / Acero	con flangia / with flanges mit Flanges / avec flasques con tapetas	<b>22 8M 30</b>	6F	FL053	22	56,02	54,65	60,0	43,0	-	38	48	12	0,69
		<b>24 8M 30</b>	6F	FL069	24	61,12	59,75	66,0	45,0	-	38	48	12	0,84
		<b>26 8M 30</b>	6F	FL061	26	66,21	64,84	70,0	48,0	-	38	48	12	1,00
		<b>28 8M 30</b>	6F	FL079	28	71,30	69,93	75,0	50,0	-	38	48	15	1,12
		<b>30 8M 30</b>	6F	FL073	30	76,39	75,02	83,0	55,0	-	38	48	15	1,32
		<b>32 8M 30</b>	6F	FL076	32	81,49	80,16	87,0	60,0	-	38	48	15	1,53
		<b>34 8M 30</b>	6F	FL066	34	86,58	85,22	91,0	70,0	-	38	48	15	1,80
		<b>36 8M 30</b>	6F	FL068	36	91,67	90,30	97,0	75,0	-	38	48	15	1,99
		<b>38 8M 30</b>	6F	FL070	38	96,77	95,39	102,0	75,0	-	38	48	15	2,27
		<b>40 8M 30</b>	6F	FL077	40	101,86	100,49	106,0	75,0	-	38	48	15	2,40
		<b>44 8M 30</b>	6F	FL075	44	112,05	110,67	120,0	75,0	-	38	48	15	2,80
		<b>48 8M 30</b>	6F	FL078	48	122,23	120,86	128,0	75,0	-	38	48	15	3,20
		<b>56 8M 30</b>	6WF	FL085	56	142,60	141,23	150,0	90,0	116	38	48	15	3,60
		<b>64 8M 30</b>	6WF	FL090	64	162,97	161,60	168,0	90,0	137	38	48	15	4,30
<b>72 8M 30</b>	6WF	FL097	72	183,35	181,97	192,0	95,0	158	38	48	15	4,80		
Ghisa / Cast iron Grauguss / Fonte Hierro fundido	senza flangia / without flanges / ohne Flanschen sans flasques / sin tapetas	<b>80 8M 30</b>	6W	-	80	203,72	202,35	-	100,0	180	38	48	15	5,10
		<b>90 8M 30</b>	6A	-	90	229,18	227,81	-	100,0	204	38	48	15	5,70
		<b>112 8M 30</b>	6A	-	112	285,21	283,83	-	100,0	254	38	48	18	6,80
		<b>144 8M 30</b>	6A	-	144	366,69	365,32	-	100,0	336	38	48	20	9,30
		<b>168 8M 30</b>	6A	-	168	427,81	426,44	-	100,0	400	38	48	20	11,40
		<b>192 8M 30</b>	6A	-	192	488,92	487,55	-	100,0	460	38	48	20	16,00

# PULEGGE DENTATE PER CINGHIE CON PROFILO HTD TIMING BELT PULLEYS HTD PROFILE

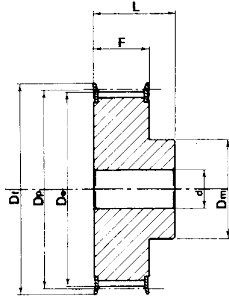
## HTD Profile 8M-50

Caratteristiche Features Merkmale Characteristics	Descrizione Description Beschreibung Description Descripción	Tipo Type Typ Type Tipo	Codice flangia Flange code Bordscheiben Typ Code flasque Código brida	N. denti N. of teeth / Zähnezahl N. bre de dents Cantidad de dientes	Dp	De	Df	Dm	Di	F	L	d	Peso Weight / Gewicht Poids / Peso Kg		
Acciaio / Steel / Stahl Acier / Acero	con flangia / with flanges mit Flanges / avec flasques con tapetas		<b>22 8M 50</b>	6F	FL053	22	56,02	54,65	60,0	43,0	-	60	70	12	1,00
		<b>24 8M 50</b>	6F	FL069	24	61,12	59,75	66,0	45,0	-	60	70	12	1,23	
		<b>26 8M 50</b>	6F	FL061	26	66,21	64,84	70,0	48,0	-	60	70	15	1,50	
		<b>28 8M 50</b>	6F	FL079	28	71,30	69,93	75,0	50,0	-	60	70	15	1,67	
		<b>30 8M 50</b>	6F	FL073	30	76,39	75,02	83,0	55,0	-	60	70	15	1,97	
		<b>32 8M 50</b>	6F	FL076	32	81,49	80,16	87,0	60,0	-	60	70	15	2,27	
		<b>34 8M 50</b>	6F	FL066	34	86,58	85,22	91,0	70,0	-	60	70	15	2,69	
		<b>36 8M 50</b>	6F	FL068	36	91,67	90,30	97,0	75,0	-	60	70	15	2,97	
		<b>38 8M 50</b>	6F	FL070	38	96,77	95,39	102,0	75,0	-	60	70	15	3,23	
		<b>40 8M 50</b>	6F	FL077	40	101,86	100,49	106,0	75,0	-	60	70	18	3,50	
		<b>44 8M 50</b>	6F	FL075	44	112,05	110,67	120,0	75,0	-	60	70	18	3,90	
		<b>48 8M 50</b>	6F	FL078	48	122,23	120,86	128,0	75,0	-	60	70	18	4,30	
		<b>56 8M 50</b>	10WF	FL085	56	142,60	141,23	150,0	80,0	116	60	60	18	5,00	
		<b>64 8M 50</b>	10WF	FL090	64	162,97	161,60	168,0	80,0	137	60	60	18	5,60	
<b>72 8M 50</b>	10WF	FL097	72	183,35	181,97	192,0	80,0	158	60	60	18	6,80			
Ghisa / Cast iron Grauguss / Fonte Hierro fundido	senza flangia / without flanges / ohne Flanschen sans flasques / sin tapetas		<b>80 8M 50</b>	10W	-	80	203,72	202,35	-	110,0	180	60	60	18	6,90
		<b>90 8M 50</b>	10A	-	90	229,18	227,81	-	110,0	204	60	60	18	8,60	
		<b>112 8M 50</b>	10A	-	112	285,21	283,83	-	110,0	254	60	60	18	9,60	
		<b>144 8M 50</b>	10A	-	144	366,69	365,32	-	110,0	336	60	60	20	13,80	
		<b>168 8M 50</b>	10A	-	168	427,81	426,44	-	120,0	400	60	60	20	16,00	
		<b>192 8M 50</b>	10A	-	192	488,92	487,55	-	130,0	460	60	60	20	22,40	

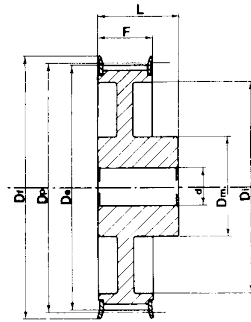
## HTD Profile 8M-85

Caratteristiche Features Merkmale Characteristics	Descrizione Description Beschreibung Description Descripción	Tipo Type Typ Type Tipo	Codice flangia Flange code Bordscheiben Typ Code flasque Código brida	N. denti N. of teeth / Zähnezahl N. bre de dents Cantidad de dientes	Dp	De	Df	Dm	Di	F	L	d	Peso Weight / Gewicht Poids / Peso Kg		
Acciaio / Steel / Stahl Acier / Acero	con flangia / with flanges mit Flanges / avec flasques con tapetas		<b>22 8M 85</b>	6F	FL053	22	56,02	54,65	60,0	43,0	-	95	105	12	1,55
		<b>24 8M 85</b>	6F	FL069	24	61,12	59,75	66,0	45,0	-	95	105	12	1,90	
		<b>26 8M 85</b>	6F	FL061	26	66,21	64,84	70,0	48,0	-	95	105	12	2,25	
		<b>28 8M 85</b>	6F	FL079	28	71,30	69,93	75,0	50,0	-	95	105	15	2,55	
		<b>30 8M 85</b>	6F	FL073	30	76,39	75,02	83,0	55,0	-	95	105	15	3,00	
		<b>32 8M 85</b>	6F	FL076	32	81,49	80,16	87,0	60,0	-	95	105	15	3,57	
		<b>34 8M 85</b>	6F	FL066	34	86,58	85,22	91,0	66,0	-	95	105	15	4,00	
		<b>36 8M 85</b>	6F	FL068	36	91,67	90,30	97,0	70,0	-	95	105	15	4,50	
		<b>38 8M 85</b>	6F	FL070	38	96,77	95,39	102,0	75,0	-	95	105	15	5,00	
		<b>40 8M 85</b>	6F	FL077	40	101,86	100,49	106,0	75,0	-	95	105	18	5,20	
		<b>44 8M 85</b>	6F	FL075	44	112,05	110,67	120,0	75,0	-	95	105	18	6,60	
		<b>48 8M 85</b>	6F	FL078	48	122,23	120,86	128,0	80,0	-	95	105	18	7,00	
		<b>56 8M 85</b>	6F	FL085	56	142,60	141,23	150,0	90,0	-	95	105	18	10,00	
		<b>64 8M 85</b>	10WF	FL090	64	162,97	161,60	168,0	100,0	137	95	95	20	10,40	
<b>72 8M 85</b>	10WF	FL097	72	183,35	181,97	192,0	100,0	158	95	95	20	11,40			
Ghisa / Cast iron Grauguss / Fonte Hierro fundido	senza flangia / without flanges / ohne Flanschen sans flasques / sin tapetas		<b>80 8M 85</b>	10W	-	80	203,72	202,35	-	110,0	180	95	95	20	11,10
		<b>90 8M 85</b>	10A	-	90	229,18	227,81	-	110,0	204	95	95	20	12,20	
		<b>112 8M 85</b>	10A	-	112	285,21	283,83	-	110,0	254	95	95	24	15,00	
		<b>144 8M 85</b>	10A	-	144	366,69	365,32	-	110,0	336	95	95	24	21,50	
		<b>168 8M 85</b>	10A	-	168	427,81	426,44	-	120,0	400	95	95	24	24,10	
		<b>192 8M 85</b>	10A	-	192	488,92	487,55	-	130,0	460	95	95	24	30,60	

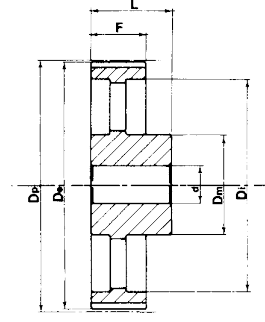
# PULEGGE DENTATE PER CINGHIE CON PROFILO HTD TIMING BELT PULLEYS HTD PROFILE



**Tipo / Type  
6F**



**Tipo / Type  
6WF**



**Tipo / Type  
6A**

## HTD Profile 14M-40

Caratteristiche Features Merkmale Características Características	Descrizione Description Beschreibung Description Descripción	Tipo Type Typo Type Tipo	Codice flangia Flange code Bordscheiben Typ Code flasque Código brida	N. denti N. of teeth / Zähnezahl N. bre de dents Cantidad de dientes	Dp	De	Df	Dm	Di	F	L	d	Peso Weight / Gewicht Poids / Peso Kg	
Acciaio / Steel / Stahl Acier / Acero	con flangia / with flanges mit Flanges / avec flasques con tapetas	<b>28 14M 40</b>	6F	FL153	28	124,78	122,12	128,0	100,0	-	54	69	24	4,73
		<b>29 14M 40</b>	6F	FL154	29	129,23	126,57	138,0	100,0	-	54	69	24	5,09
		<b>30 14M 40</b>	6F	FL154	30	133,69	130,99	138,0	100,0	-	54	69	24	5,45
		<b>32 14M 40</b>	6F	FL160	32	142,60	139,88	154,0	100,0	-	54	69	24	6,17
		<b>34 14M 40</b>	6F	FL166	34	151,52	148,79	160,0	100,0	-	54	69	24	6,88
		<b>36 14M 40</b>	6F	FL168	36	160,43	157,68	168,0	100,0	-	54	69	24	7,60
		<b>38 14M 40</b>	6F	FL172	38	169,34	166,60	183,0	120,0	-	54	69	24	8,28
		<b>40 14M 40</b>	6F	FL162	40	178,25	175,49	188,0	120,0	-	54	69	24	9,26
		<b>44 14M 40</b>	6F	FL175	44	196,08	193,28	211,0	120,0	-	54	69	24	10,32
Ghisa / Cast iron Grauguss / Fonte Hierro fundido	senza flangia / without flanges / ohne Flanschen sans flasques / sin tapetas	<b>48 14M 40</b>	6WF	FL180	48	213,90	211,11	226,0	135,0	170	54	69	24	11,50
		<b>56 14M 40</b>	6WF	FL182	56	249,55	246,76	256,0	135,0	207	54	69	28	13,05
		<b>64 14M 40</b>	6WF	FL184	64	285,21	282,41	296,0	135,0	240	54	69	28	14,40
		<b>72 14M 40</b>	6A	-	72	320,86	318,06	-	135,0	280	54	69	28	16,90
		<b>80 14M 40</b>	6A	-	80	356,51	353,71	-	135,0	314	54	69	28	18,50
		<b>90 14M 40</b>	6A	-	90	401,07	398,28	-	135,0	358	54	69	28	20,00
		<b>112 14M 40</b>	6A	-	112	499,11	496,32	-	135,0	456	54	69	28	26,70
		<b>144 14M 40</b>	6A	-	144	641,71	638,92	-	135,0	600	54	69	28	35,00
		<b>168 14M 40</b>	6A	-	168	748,66	745,87	-	135,0	706	54	69	28	44,20
		<b>192 14M 40</b>	6A	-	192	855,62	852,82	-	135,0	813	54	69	28	52,20
<b>216 14M 40</b>	6A	-	216	962,57	959,76	-	150,0	920	54	69	28	62,50		

# PULEGGE DENTATE PER CINGHIE CON PROFILO HTD TIMING BELT PULLEYS HTD PROFILE

## HTD Profile 14M-55

Caratteristiche Features Merkmale Características Características	Descrizione Description Beschreibung Description Descripción	Tipo Type Typ Type Tipo	Codice flangia Flange code Bordscheiben Typ Code flasque Código brida	N. denti N. of teeth / Zähnezahl N. bre de dents Cantidad de dientes	Dp	De	Df	Dm	Di	F	L	d	Peso Weight / Gewicht Poids / Peso Kg	
Acciaio / Steel / Stahl Acier / Acero	con flangia / with flanges mit Flanges / avec flasques con tapetas	28 14M 55	6F	FL153	28	124,78	122,12	128,0	100,0	-	70	85	24	5,60
		29 14M 55	6F	FL154	29	129,23	126,57	138,0	100,0	-	70	85	24	6,10
		30 14M 55	6F	FL154	30	133,69	130,99	138,0	100,0	-	70	85	24	6,60
		32 14M 55	6F	FL160	32	142,60	139,88	154,0	100,0	-	70	85	24	7,60
		34 14M 55	6F	FL166	34	151,52	148,79	160,0	100,0	-	70	85	24	8,60
		36 14M 55	6F	FL168	36	160,43	157,68	168,0	100,0	-	70	85	24	9,60
		38 14M 55	6F	FL172	38	169,34	166,60	183,0	120,0	-	70	85	24	10,80
		40 14M 55	6F	FL162	40	178,25	175,49	188,0	120,0	-	70	85	24	11,20
		44 14M 55	6F	FL175	44	196,08	193,28	211,0	120,0	-	70	85	24	12,50
Ghisa / Cast Iron Grauguss / Fonte Hierro fundido	senza flangia / without flanges / ohne Flanschen sans flasques / sin tapetas	48 14M 55	10WF	FL180	48	213,90	211,11	226,0	135,0	170	70	70	24	13,70
		56 14M 55	10WF	FL182	56	249,55	246,76	256,0	135,0	207	70	70	28	14,50
		64 14M 55	10WF	FL184	64	285,21	282,41	296,0	135,0	240	70	70	28	15,60
		72 14M 55	10A	-	72	320,86	318,06	-	135,0	280	70	70	28	16,90
		80 14M 55	10A	-	80	356,51	353,71	-	135,0	314	70	70	28	20,00
		90 14M 55	10A	-	90	401,07	398,28	-	135,0	358	70	70	28	22,60
		112 14M 55	10A	-	112	499,11	496,32	-	135,0	456	70	70	28	29,50
		144 14M 55	10A	-	144	641,71	638,92	-	135,0	600	70	70	28	39,00
		168 14M 55	10A	-	168	748,66	745,87	-	135,0	706	70	70	28	48,50
		192 14M 55	10A	-	192	855,62	852,82	-	135,0	813	70	70	28	57,80
216 14M 55	10A	-	216	962,57	959,76	-	150,0	920	70	70	28	67,00		

## HTD Profile 14M-85

Caratteristiche Features Merkmale Características Características	Descrizione Description Beschreibung Description Descripción	Tipo Type Typ Type Tipo	Codice flangia Flange code Bordscheiben Typ Code flasque Código brida	N. denti N. of teeth / Zähnezahl N. bre de dents Cantidad de dientes	Dp	De	Df	Dm	Di	F	L	d	Peso Weight / Gewicht Poids / Peso Kg	
Acciaio / Steel / Stahl Acier / Acero	con flangia / with flanges mit Flanges / avec flasques con tapetas	28 14M 85	6F	FL153	28	124,78	122,12	128,0	100,0	-	102	117	24	7,70
		29 14M 85	6F	FL154	29	129,23	126,57	138,0	100,0	-	102	117	24	8,40
		30 14M 85	6F	FL154	30	133,69	130,99	138,0	100,0	-	102	117	24	9,10
		32 14M 85	6F	FL160	32	142,60	139,88	154,0	100,0	-	102	117	24	10,50
		34 14M 85	6F	FL166	34	151,52	148,79	160,0	100,0	-	102	117	24	11,90
		36 14M 85	6F	FL168	36	160,43	157,68	168,0	100,0	-	102	117	32	13,20
		38 14M 85	6F	FL172	38	169,34	166,60	183,0	120,0	-	102	117	32	15,15
		40 14M 85	6F	FL162	40	178,25	175,49	188,0	135,0	-	102	117	32	17,10
		44 14M 85	6F	FL175	44	196,08	193,28	211,0	135,0	-	102	117	32	23,30
		48 14M 85	6F	FL180	48	213,90	211,11	226,0	150,0	-	102	117	32	25,00
Ghisa / Cast Iron Grauguss / Fonte Hierro fundido	senza flangia / without flanges / ohne Flanschen sans flasques / sin tapetas	56 14M 85	10WF	FL182	56	249,55	246,76	256,0	150,0	207	102	102	32	25,00
		64 14M 85	10WF	FL184	64	285,21	282,41	296,0	150,0	240	102	102	32	30,50
		72 14M 85	10A	-	72	320,86	318,06	-	150,0	278	102	102	32	28,80
		80 14M 85	10A	-	80	356,51	353,71	-	150,0	314	102	102	32	30,10
		90 14M 85	10A	-	90	401,07	398,28	-	150,0	358	102	102	32	33,00
		112 14M 85	10A	-	112	499,11	496,32	-	150,0	456	102	102	32	41,80
		144 14M 85	10A	-	144	641,71	638,92	-	150,0	600	102	102	32	52,40
		168 14M 85	10A	-	168	748,66	745,87	-	150,0	706	102	102	32	60,30
		192 14M 85	10A	-	192	855,62	852,82	-	165,0	813	102	102	32	70,20
		216 14M 85	10A	-	216	962,57	959,76	-	160,0	920	102	102	32	81,00

# PULEGGE DENTATE PER CINGHIE CON PROFILO HTD TIMING BELT PULLEYS HTD PROFILE

## HTD Profile 14M-115

Caratteristiche Features Merkmale Características Características	Descrizione Description Beschreibung Description Descripción	Tipo Type Typ Type Tipo	Codice flangia Flange code Bordscheiben Typ Code flasque Código brida	N. denti N. of teeth / Zähnezahl N. bre de dents Cantidad de dientes	Dp	De	Df	Dm	Di	F	L	d	Peso Weight / Gewicht Poids / Peso Kg	
Acciaio / Steel / Stahl Acier / Acero	con flangia / with flanges mit Flanges / avec flasques con tapetas	<b>28 14M 115</b>	6F	FL153	28	124,78	122,12	128,0	100,0	-	133	148	32	9,20
		<b>29 14M 115</b>	6F	FL154	29	129,23	126,57	138,0	100,0	-	133	148	32	10,20
		<b>30 14M 115</b>	6F	FL154	30	133,69	130,99	138,0	100,0	-	133	148	32	11,20
		<b>32 14M 115</b>	6F	FL160	32	142,60	139,88	154,0	100,0	-	133	148	32	13,20
		<b>34 14M 115</b>	6F	FL166	34	151,52	148,79	160,0	100,0	-	133	148	32	14,80
		<b>36 14M 115</b>	6F	FL168	36	160,43	157,68	168,0	100,0	-	133	148	32	16,60
		<b>38 14M 115</b>	6F	FL172	38	169,34	166,60	183,0	120,0	-	133	148	32	19,20
		<b>40 14M 115</b>	6F	FL162	40	178,25	175,49	188,0	135,0	-	133	148	32	20,56
		<b>44 14M 115</b>	6F	FL175	44	196,08	193,28	211,0	140,0	-	133	148	32	21,93
		<b>48 14M 115</b>	6F	FL180	48	213,90	211,11	226,0	150,0	-	133	148	32	25,00
		<b>56 14M 115</b>	6F	FL182	56	249,55	246,76	256,0	150,0	-	133	148	32	27,50
Ghisa / Cast iron Grauguss / Fonte Hierro fundido	senza flangia / without flanges / ohne Flanschen sans flasques / sin tapetas	<b>64 14M 115</b>	10WF	FL184	64	285,21	282,41	296,0	150,0	240	133	133	32	30,10
		<b>72 14M 115</b>	10A	-	72	320,86	318,06	-	150,0	278	133	133	32	32,83
		<b>80 14M 115</b>	10A	-	80	356,51	353,71	-	150,0	314	133	133	32	35,55
		<b>90 14M 115</b>	10A	-	90	401,07	398,28	-	150,0	358	133	133	32	41,00
		<b>112 14M 115</b>	10A	-	112	499,11	496,32	-	150,0	456	133	133	32	54,40
		<b>144 14M 115</b>	10A	-	144	641,71	638,92	-	165,0	600	133	133	32	67,80
		<b>168 14M 115</b>	10A	-	168	748,66	745,87	-	165,0	706	133	133	32	75,80
		<b>192 14M 115</b>	10A	-	192	855,62	852,82	-	165,0	813	133	133	32	88,30
		<b>216 14M 115</b>	10A	-	216	962,57	959,76	-	165,0	920	133	133	32	98,00

## HTD Profile 14M-170

Caratteristiche Features Merkmale Características Características	Descrizione Description Beschreibung Description Descripción	Tipo Type Typ Type Tipo	Codice flangia Flange code Bordscheiben Typ Code flasque Código brida	N. denti N. of teeth / Zähnezahl N. bre de dents Cantidad de dientes	Dp	De	Df	Dm	Di	F	L	d	Peso Weight / Gewicht Poids / Peso Kg	
Acciaio / Steel / Stahl Acier / Acero	con flangia / with flanges mit Flanges / avec flasques con tapetas	<b>28 14M 170</b>	6F	FL153	28	124,78	122,12	128,0	100,0	-	187	202	32	9,20
		<b>29 14M 170</b>	6F	FL154	29	129,23	126,57	138,0	100,0	-	187	202	32	10,20
		<b>30 14M 170</b>	6F	FL154	30	133,69	130,99	138,0	100,0	-	187	202	32	11,20
		<b>32 14M 170</b>	6F	FL160	32	142,60	139,88	154,0	100,0	-	187	202	32	13,20
		<b>34 14M 170</b>	6F	FL166	34	151,52	148,79	160,0	100,0	-	187	202	32	14,80
		<b>36 14M 170</b>	6F	FL168	36	160,43	157,68	168,0	100,0	-	187	202	32	16,60
		<b>38 14M 170</b>	6F	FL172	38	169,34	166,60	183,0	120,0	-	187	202	32	19,20
		<b>40 14M 170</b>	6F	FL162	40	178,25	175,49	188,0	135,0	-	187	202	32	20,56
		<b>44 14M 170</b>	6F	FL175	44	196,08	193,28	211,0	140,0	-	187	202	32	21,93
		<b>48 14M 170</b>	6F	FL180	48	213,90	211,11	226,0	150,0	-	187	202	32	25,00
		<b>56 14M 170</b>	6F	FL182	56	249,55	246,76	256,0	150,0	-	187	202	32	27,50
Ghisa / Cast iron Grauguss / Fonte Hierro fundido	senza flangia / without flanges / ohne Flanschen sans flasques / sin tapetas	<b>64 14M 170</b>	10WF	FL184	64	285,21	282,41	296,0	150,0	240	187	187	32	30,10
		<b>72 14M 170</b>	10A	-	72	320,86	318,06	-	150,0	278	187	187	32	32,83
		<b>80 14M 170</b>	10A	-	80	356,51	353,71	-	150,0	314	187	187	32	35,55
		<b>90 14M 170</b>	10A	-	90	401,07	398,28	-	150,0	358	187	187	32	41,00
		<b>112 14M 170</b>	10A	-	112	499,11	496,32	-	150,0	456	187	187	32	54,40
		<b>144 14M 170</b>	10A	-	144	641,71	638,92	-	165,0	600	187	187	32	67,80
		<b>168 14M 170</b>	10A	-	168	748,66	745,87	-	165,0	706	187	187	32	75,80
		<b>192 14M 170</b>	10A	-	192	855,62	852,82	-	165,0	813	187	187	32	88,30
		<b>216 14M 170</b>	10A	-	216	962,57	959,76	-	165,0	920	187	187	32	98,00

# BARRE DENTATE CON PROFILO HTD HTD PROFILE STANDARD TOOTHED BARS

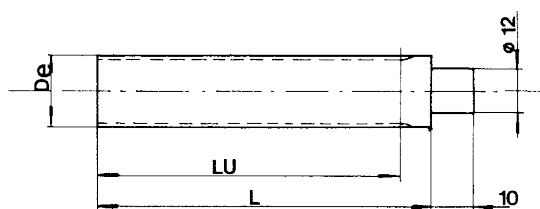
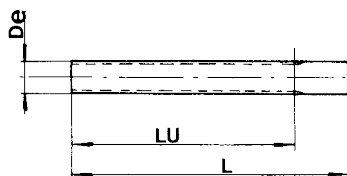
**Materiale:**  
alluminio 6082 T6  
UNI 9006/4 adatto al  
trattamento anodico

**Material:**  
aluminium 6082 T6  
UNI 9006/4 suitable for  
anodic treatment

**Werkstoff:**  
aluminium 6082 T6  
UNI 9006/4 geeignet für  
anodischen oxydation

**Matière:**  
aluminium 6082 T6  
UNI 9006/4 apte au  
traitement anodique

**Material:**  
aluminio 6082 T6  
UNI 9006/4 apto para la  
oxidacion anodica



## HTD Profile 3M

Descrizione Description Beschreibung Descripción	N. denti N. of teeth / Zähnezahl N. bre de dents Cantidad de dientes	Dp	De	Lu	L
9 3M	9	8,59	7,83	75	100
10 3M	10	9,55	8,79	75	100
11 3M	11	10,50	9,74	75	100
12 3M	12	11,46	10,70	100	125
13 3M	13	12,41	11,65	100	125
14 3M	14	13,37	12,61	100	125
15 3M	15	14,32	13,56	100	125
16 3M	16	15,28	14,52	125	155
17 3M	17	16,23	15,47	125	155
18 3M	18	17,19	16,43	125	155
19 3M	19	18,14	17,38	125	155
20 3M	20	19,10	18,34	150	165
21 3M	21	20,05	19,25	150	165
22 3M	22	21,01	20,25	150	165
23 3M	23	21,96	21,20	150	165
24 3M	24	22,92	22,16	150	165
25 3M	25	23,87	23,11	150	165
26 3M	26	24,83	24,07	150	165
27 3M	27	25,78	25,02	150	165
28 3M	28	26,74	25,98	150	165
29 3M	29	27,69	26,93	150	165
30 3M	30	28,65	27,89	175	183
31 3M	31	29,60	28,84	175	183
32 3M	32	30,56	29,80	175	183
33 3M	33	31,54	30,75	175	183
34 3M	34	32,47	31,71	175	183
35 3M	35	33,42	32,66	175	183
36 3M	36	34,38	33,62	200	200
37 3M	37	35,33	34,57	200	200
38 3M	38	36,29	35,53	200	200
39 3M	39	37,24	36,48	200	200
40 3M	40	38,20	37,44	200	200
42 3M	42	40,11	39,34	200	200
44 3M	44	42,02	41,26	200	200
45 3M	45	42,97	42,21	200	200
48 3M	48	45,84	45,08	200	200
50 3M	50	47,75	46,99	200	200
52 3M	52	49,66	48,90	200	200
54 3M	54	51,57	50,81	200	200
56 3M	56	53,48	52,72	200	200
60 3M	60	57,30	56,54	200	200
62 3M	62	59,21	58,45	200	200
64 3M	64	61,12	60,36	200	200
66 3M	66	63,03	62,27	200	200
68 3M	68	64,94	64,18	200	200
70 3M	70	66,85	66,09	200	200
72 3M	72	68,75	67,99	200	200

## HTD Profile 5M

Descrizione Description Beschreibung Descripción	N. denti N. of teeth / Zähnezahl N. bre de dents Cantidad de dientes	Dp	De	Lu	L
12 - 5M	12	19,10	17,96	150	165
13 - 5M	13	20,69	19,55	150	165
14 - 5M	14	22,28	21,14	175	183
15 - 5M	15	23,87	22,73	175	183
16 - 5M	16	25,46	24,32	175	183
17 - 5M	17	27,06	25,92	175	183
18 - 5M	18	28,65	27,51	200	200
19 - 5M	19	30,24	29,10	200	200
20 - 5M	20	31,83	30,69	200	200
21 - 5M	21	33,42	32,28	200	200
22 - 5M	22	35,01	33,87	200	200
23 - 5M	23	36,61	35,47	200	200
24 - 5M	24	38,20	37,06	200	200
25 - 5M	25	39,79	38,65	200	200
26 - 5M	26	41,38	40,24	200	200
27 - 5M	27	42,97	41,83	200	200
28 - 5M	28	44,56	43,42	200	200
29 - 5M	29	46,15	45,01	200	200
30 - 5M	30	47,75	46,60	200	200
31 - 5M	31	49,34	48,20	200	200
32 - 5M	32	50,93	49,79	200	200
33 - 5M	33	52,52	51,38	200	200
34 - 5M	34	54,11	52,97	200	200
35 - 5M	35	55,70	54,56	200	200
36 - 5M	36	57,30	56,16	200	200
38 - 5M	38	60,48	59,34	200	200
40 - 5M	40	63,66	62,52	200	200
42 - 5M	42	66,85	65,71	200	200
44 - 5M	44	70,03	68,89	200	200
45 - 5M	45	71,62	70,48	200	200
46 - 5M	46	73,21	72,07	200	200
48 - 5M	48	76,39	75,25	200	200
50 - 5M	50	79,58	78,43	200	200
54 - 5M	54	85,94	84,80	200	200
60 - 5M	60	95,49	94,35	200	200
62 - 5M	62	98,68	97,54	200	200
72 - 5M	72	114,59	113,45	200	200

# Discover Your Local Contacts

The local partner of choice  
for sustainable power transmission belting solutions  
around the globe.



**General contact information:**

**Megadyne**

Via Trieste, 16

Via S. Lucia 114 - 10075 Mathi (Torino)

Italy

[megadynegroup.com](http://megadynegroup.com)

[megadynegroup.com/en/contact-us](http://megadynegroup.com/en/contact-us)



Scan the QR code  
and find your local  
contact

