



- **Waterproof housing**
- **PAFV polyamide housing**

High mechanical and heat resistance. Proof to dust, humidity, washouts, steam, average aggressive chemical agents.

- **Solid flange bearings**

They differ from standard flange versions for their closed surface structure, ideal for sanitation.

- **Bearings with Food Grade grease**

• **Material:**

• **PAFV polyamide housing**

- Housing in reinforced polyamide PAFV resin
- Protection cover in polypropylene PP
- Seal and O-ring in NBR rubber (black)
- Ball type nickel plated brass greasing nipple
- Reinforcing bushings on mounting holes and washers in stainless steel AISI 304

• **Continuous operating temperature**

in air : - 20 to + 60°C.

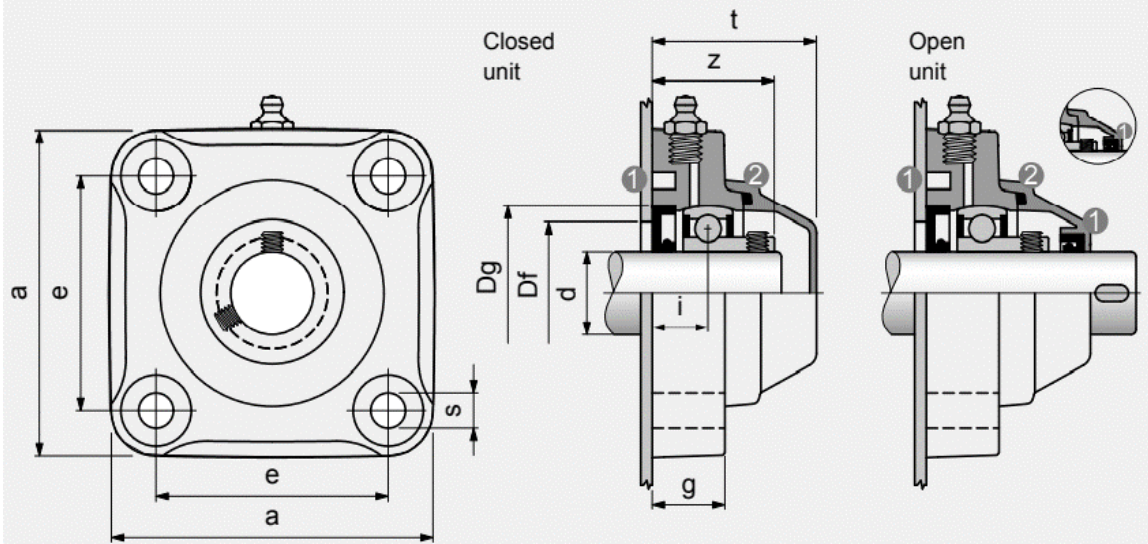
• **Maximum allowed misalignment: 2°.**

• **Bearing**



- Type SB (grub screws shaft locking)
- Chrome alloy steel
- Supergriseal unit
- Prelubricated with lithium/calcium grease
- Can be relubricated

• **Series UCF/C**
Grub screws shaft locking



Ø d mm	Serie	Housing Material		Dimensions in mm								Bore in frame ¹		Weight Kg
		Polyamide PAFV Solid	Flange (Blue) Cover (Blue)	e	a	s	g	i	z	t	Dg	Df Max. Min.		
		Code												
Grub screws shaft locking • Closed unit														
25	UCF 205 C	10759109	70	98	11	22,5	16,8	36,3	49,5	52	50	45	Type SB	0,40
30	UCFN 206 C	10791810	83	110	11	15	20	42	55	62	60	50	Type SB	0,50
35	UCF 207 C	10830118	92	120	11	26	19,5	43	59	72	70	55	Type SB	0,72
35*	SUCFN 207 C	10833828	83	110	11	15	19,5	43	59	72	70	55	Type SB	0,61
40	UCF 208 C	10833826	102	131	11	30	22	47	65,5	80	78	65	Type SB	0,95
40*	SUCFN 208 C	10833829	83	110	11	15	19	44	66	80	78	65	Type SB	0,82
Grub screws shaft locking • Open unit														
25	UCF 205 C	10759111	70	98	11	22,5	16,8	36,3	49,5	52	50	45	Type SB	0,40
30	UCFN 206 C	10791811	83	110	11	15	20	42	55	62	60	50	Type SB	0,50
35	UCF 207 C	10830106	92	120	11	26	19,5	43	59	72	70	55	Type SB	0,72
35*	SUCFN 207 C	10833782	83	110	11	15	19,5	43	59	72	70	55	Type SB	0,61
40	UCF 208 C	10833838	102	131	11	30	22	47	65,5	80	78	65	Type SB	0,95
40*	SUCFN 208 C	10833784	83	110	11	15	19	44	66	80	78	65	Type SB	0,82

* = Version with special fixing holes.

1) = Dimensions Df max / Df min must be respected to ensure positive retention of the seals and to allow air bleeding during lubrication.

Packaging : 4 pieces.



- Austenitic stainless steel surface
 - Waterproof housing
 - PAFV polyamide housing
- High mechanical and heat resistance. Proof to dust, humidity, washouts, steam, average aggressive chemical agents.
- Solid flange bearings
- They differ from standard flange versions for their closed surface structure, ideal for sanitation.
- Bearings with Food Grade grease

- Material:
- PAFV polyamide housing
 - Housing in reinforced polyamide PAFV resin
 - Protection cover in polypropylene PP
 - Seal and O-ring in NBR rubber (black)
 - Ball type nickel plated brass greasing nipple
 - Reinforcing bushings on mounting holes and washers in stainless steel AISI 304

- Continuous operating temperature
in air : - 20 to + 60°C.

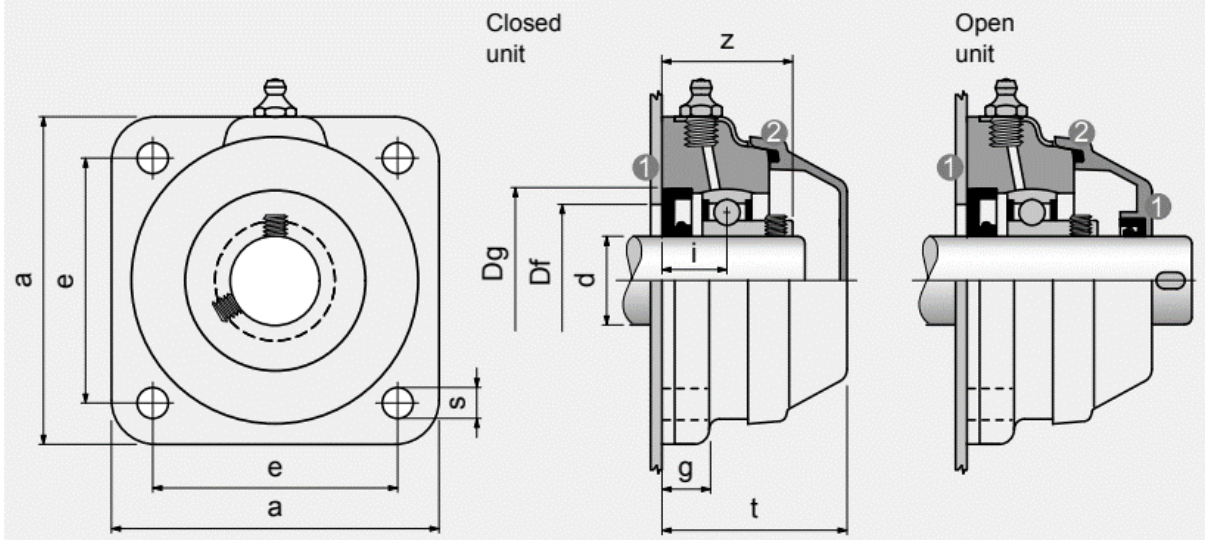
- Maximum allowed misalignment: 2°.

• Bearing



- Type SB (grub screws shaft locking)
- Chrome alloy steel
- Superagriseal unit
- Prelubricated with lithium/calcium grease
- Can be relubricated

• Series UCFS/C
Grub screws shaft locking



Housing Material
Polyamide PAFV
with austenitic stainless steel surface
Solid

Ø d mm	Serie	Flange (Blue) Cover (Blue) Code	Dimensions in mm								Bore in frame ¹ Df		Weight Kg	
			e	a	s	g	i	z	t	Dg	Max.	Min.		Bearing
Grub screws shaft locking • Closed unit														
30	UCFS 206 C	10346269	83	111	10,5	15,9	22	44	65,8	62	60	50	Type SB	0,73
35*	SUCFS 207 C	10346271	83	111	10,5	15,9	22	45,5	65,8	72	70	55	Type SB	0,84
40*	SUCFS 208 C	10346273	83	111	10,5	15,9	22	47	65,8	80	78	65	Type SB	0,94
Grub screws shaft locking • Open unit														
30	UCFS 206 C	10346270	83	111	10,5	15,9	22	44	65,8	62	60	50	Type SB	0,73
35*	SUCFS 207 C	10346272	83	111	10,5	15,9	22	45,5	65,8	72	70	55	Type SB	0,84
40*	SUCFS 208 C	10346274	83	111	10,5	15,9	22	47	65,8	80	78	65	Type SB	0,94

* = Version with special fixing holes.

1) = Dimensions Df max / Df min must be respected to ensure positive retention of the seals and to allow air bleeding during lubrication.

Packaging : 4 pieces.



- **Waterproof housing**
- **PAFV polyamide housing**

High mechanical and heat resistance. Proof to dust, humidity, washouts, steam, average aggressive chemical agents.

- **Solid flange bearings**

They differ from standard flange versions for their closed surface structure, ideal for sanitation.

- **Bearings with Food Grade grease**

• **Material:**

• **PAFV polyamide housing**

- Housing in reinforced polyamide PAFV resin
- Protection cover in polypropylene PP
- Seal and O-ring in NBR rubber (black)
- Ball type nickel plated brass greasing nipple
- Reinforcing bushings on mounting holes and washers in stainless steel AISI 304

• **Continuous operating temperature**

in air : - 20 to + 60°C.

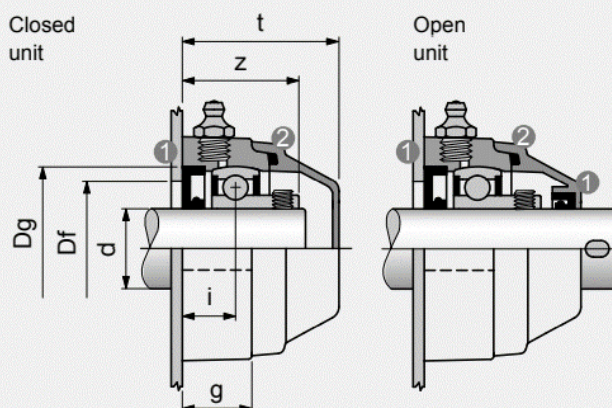
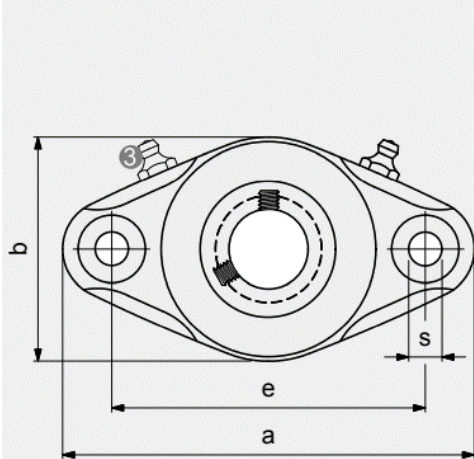
• **Maximum allowed misalignment: 2°.**

• **Bearing**



- Type SB (grub screws shaft locking)
- Chrome alloy steel
- Superagriseal unit
- Prelubricated with lithium/calcium grease
- Can be relubricated

• **Series UCFL/C**
Grub screws shaft locking

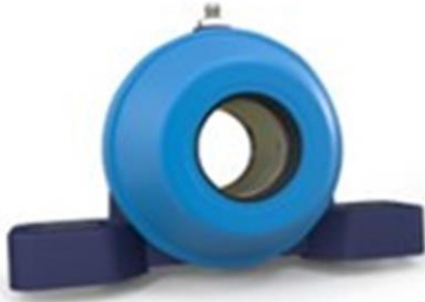


- ① Seal.
- ② O-Ring.

Ø d mm	Serie	Housing Material		Dimensions in mm										Bore in frame ¹		Weight Kg
		Polyamide PAFV Solid	Flange (Blue) Cover (Blue)	e	a	b	s	g	i	z	t	Dg	Df Max. Min.		Bearing	
		Code														
Grub screws shaft locking • Closed unit																
20	UCFL 204 C	10792425	90	116	62	11	20	15,2	33,2	46	47	45	40	Type SB	0,25	
20*	SUCFLN 204 C	10833951	76,5	100	70	11	11	15,2	33,2	49	47	45	40	Type SB	0,21	
25	UCFL 205 C	10755196	99	130	71	11	22,5	16,8	36,3	49,5	52	50	45	Type SB	0,33	
25*	SUCFLN 205 C	10833948	90	122	85	11	15	16,8	36,3	54	52	50	45	Type SB	0,28	
30	UCFLN 206 C	10791812	117	149	85	11	15	20	42	55	62	60	50	Type SB	0,37	
30*	SUCFL 206 C	10833954	99	148	85	11	26	20	42	56	62	60	50	Type SB	0,42	
35	UCFL 207 C	10831470	130	162	93	11	26	19,5	43	59	72	70	55	Type SB	0,65	
35*	SUCFL 207 C	10834016	117	148	112	11	26	19,5	43	62	72	70	55	Type SB	0,70	
40	UCFL 208 C	10832059	144	176	102	11	30	22	47	65,5	80	78	65	Type SB	0,90	
40*	SUCFL 208 C	10834017	117	148	112	11	26	19	44	62	80	78	65	Type SB	0,74	
Grub screws shaft locking • Open unit																
20	UCFL 204 C	10792506	90	116	62	11	20	15,2	33,2	46	47	45	40	Type SB	0,25	
20*	SUCFLN 204 C	10833953	76,5	100	70	11	11	15,2	33,2	49	47	45	40	Type SB	0,21	
25	UCFL 205 C	10755197	99	130	71	11	22,5	16,8	36,3	49,5	52	50	45	Type SB	0,33	
25*	SUCFLN 205 C	10833949	90	122	85	11	15	16,8	36,3	54	52	50	45	Type SB	0,28	
30	UCFLN 206 C	10791904	117	149	85	11	15	20	42	55	62	60	50	Type SB	0,37	
30*	SUCFL 206 C	10833955	99	148	85	11	26	20	42	56	62	60	50	Type SB	0,42	
35	UCFL 207 C	10831633	130	162	93	11	26	19,5	43	59	72	70	55	Type SB	0,65	
35*	SUCFL 207 C	10834018	117	148	112	11	26	19,5	43	62	72	70	55	Type SB	0,70	
40	UCFL 208 C	10832061	144	176	102	11	30	22	47	65,5	80	78	65	Type SB	0,90	
40*	SUCFL 208 C	10834019	117	148	112	11	26	19	44	62	80	78	65	Type SB	0,74	

* = Version with special fixing holes.

1) = Dimensions Df max / Df min must be respected to ensure positive retention of the seals and to allow air bleeding during lubrication.
Packaging : 4 pieces.



- **Waterproof housing**
- **PAFV polyamide housing**

High mechanical and heat resistance. Proof to dust, humidity, washouts, steam, average aggressive chemical agents.

- **Solid flange bearings**

They differ from standard flange versions for their closed surface structure, ideal for sanitation.

- **Bearings with Food Grade grease**

• **Material:**

• **PAFV polyamide housing**

- Housing in reinforced polyamide PAFV resin
- Protection cover in polypropylene PP
- Seal and O-ring in NBR rubber (black)
- Ball type nickel plated brass greasing nipple
- Reinforcing bushings on mounting holes and washers in stainless steel AISI 304

• **Continuous operating temperature**

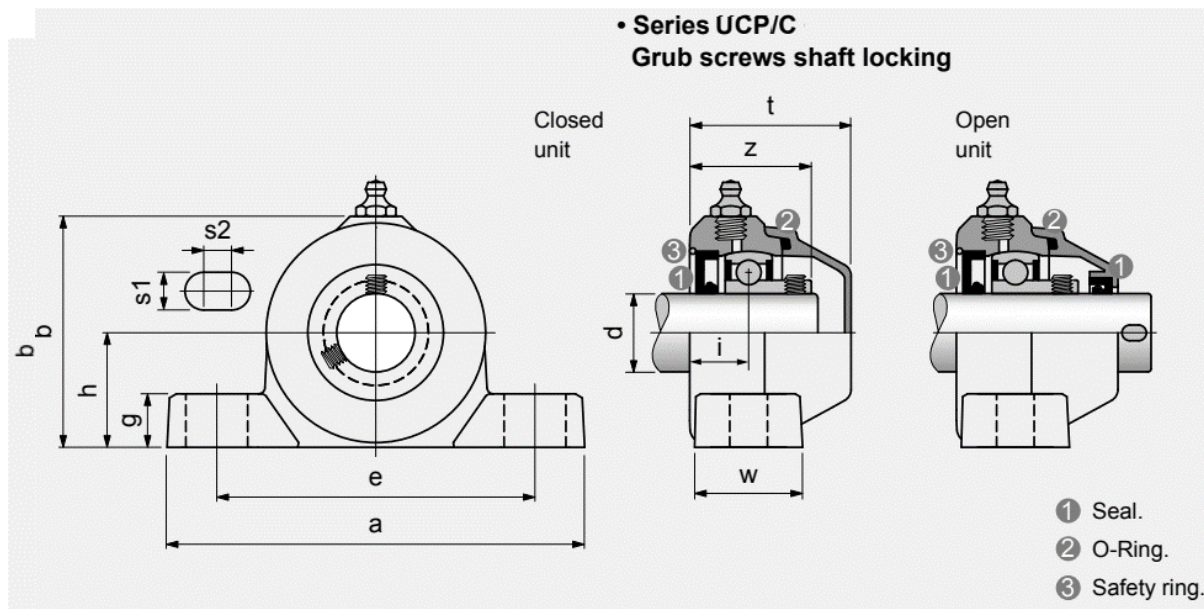
in air : - 20 to + 60°C.

• **Maximum allowed misalignment: 2°.**

• **Bearing**

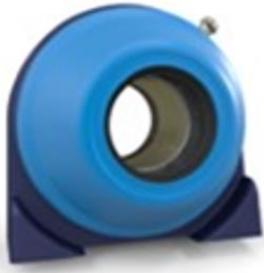


- Type SB (grub screws shaft locking)
- Chrome alloy steel
- Superagriseal unit
- Prelubricated with lithium/calcium grease
- Can be relubricated



Ø d mm	Serie	Housing Material	Dimensions in mm													Weight Kg
		Polyamide PAFV Solid Flange (Blue) Cover (Blue)	e	a	h	b	s1	s2	g	w	i	z	t	Bearing		
Code																
Grub screws shaft locking • Closed unit																
20	UCP 204 C	10834535	96	128	33,3	67	12	10	17	30	18,9	36,9	49,7	Type SB	0,27	
25	UCP 205 C	10817084	106	140	36,5	75	12	10	17	34,5	18,8	38,3	51,5	Type SB	0,33	
30	UCP 206 C	10817083	121	163	42,9	88	14	10	20	36	19,7	41,7	55	Type SB	0,49	
35	UCP 207 C	10834534	126	167	47,6	98	14	10	20	38,6	21,3	44,8	61	Type SB	0,64	
40	UCP 208 C	10834531	136	185	50	102	14	10	20	38,6	25	50	66,5	Type SB	0,84	
Grub screws shaft locking • Open unit																
20	UCP 204 C	10834454	96	128	33,3	67	12	10	17	30	18,9	36,9	49,7	Type SB	0,27	
25	UCP 205 C	10817087	106	140	36,5	75	12	10	17	34,5	18,8	38,3	51,5	Type SB	0,33	
30	UCP 206 C	10817065	121	163	42,9	88	14	10	20	36	19,7	41,7	55	Type SB	0,49	
35	UCP 207 C	10834453	126	167	47,6	98	14	10	20	38,6	21,3	44,8	61	Type SB	0,64	
40	UCP 208 C	10834482	136	185	50	102	14	10	20	38,6	25	50	66,5	Type SB	0,84	

Packaging : 4 pieces.



- **Waterproof housing**
- **PAFV polyamide housing**

High mechanical and heat resistance. Proof to dust, humidity, washouts, steam, average aggressive chemical agents.

- **Solid flange bearings**

They differ from standard flange versions for their closed surface structure, ideal for sanitation.

- **Bearings with Food Grade grease**

• **Material:**

• **PAFV polyamide housing**

- Housing in reinforced polyamide PAFV resin
- Protection cover in polypropylene PP
- Seal and O-ring in NBR rubber (black)
- Ball type nickel plated brass greasing nipple
- Reinforcing bushings on mounting holes and washers in stainless steel AISI 304

• **Continuous operating temperature**

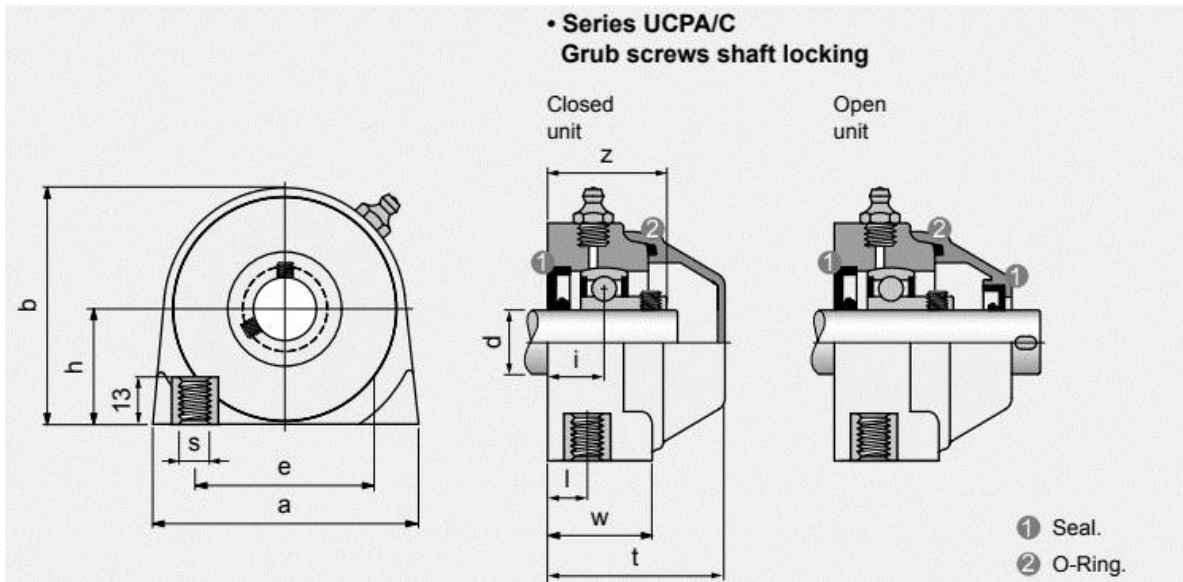
in air : - 20 to + 60°C.

• **Maximum allowed misalignment: 2°.**

• **Bearing**



- Type SB (grub screws shaft locking)
- Chrome alloy steel
- Supergriseal unit
- Prelubricated with lithium/calcium grease
- Can be relubricated



Ø d mm	Serie	Housing Material	Dimensions in mm											Bearing	Weight Kg
		Polyamide PAFV Solid Flange (Blue) Cover (Blue)	e	a	h	b	s	w	i	l	z	t			
Code															
Grub screws shaft locking • Closed unit															
20	UCPA 204 C	10834433	50,8	70	33,2	65	M8	28	15,2	10	33,2	49	Type SB	0,25	
25	UCPA 205 C	10834407	50,8	75	36,5	72	M10	30	16,8	12	36,5	52	Type SB	0,29	
Grub screws shaft locking • Open unit															
20	UCPA 204 C	10834406	50,8	70	33,2	65	M8	28	15,2	10	33,2	49	Type SB	0,25	
25	UCPA 205 C	10834305	50,8	75	36,5	72	M10	30	16,8	12	36,5	52	Type SB	0,29	

Packaging : 4 pieces.



- **Waterproof housing**
- **PAFV polyamide housing**
High mechanical and heat resistance. Proof to dust, humidity, washouts, steam, average aggressive chemical agents.
- **Solid flange bearings**
They differ from standard flange versions for their closed surface structure, ideal for sanitation.
- **Bearings with Food Grade grease**

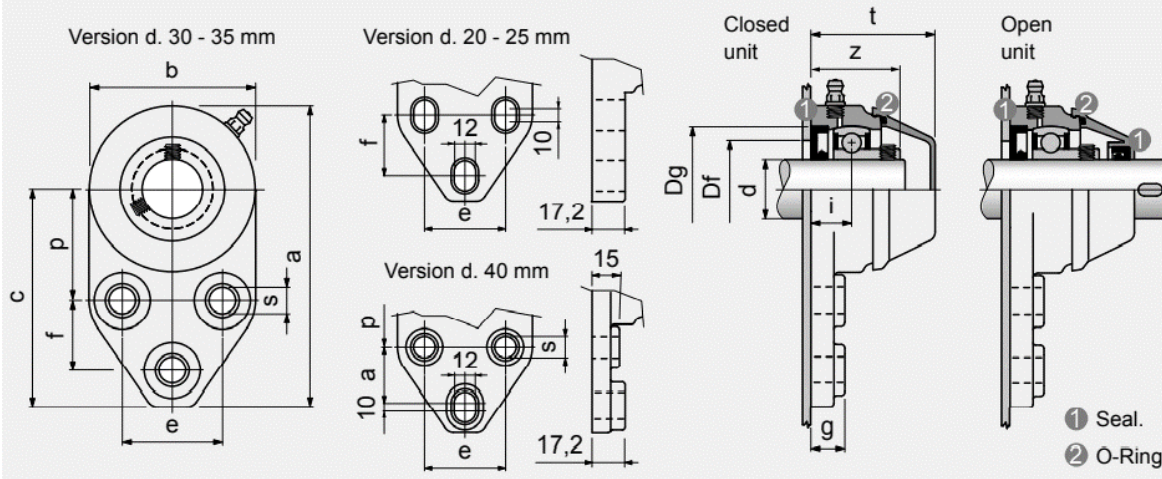
- **Material:**
- **PAFV polyamide housing**
 - Housing in reinforced polyamide PAFV resin
 - Protection cover in polypropylene PP
 - Seal and O-ring in NBR rubber (black)
 - Ball type nickel plated brass greasing nipple
 - Reinforcing bushings on mounting holes and washers in stainless steel AISI 304
- **Continuous operating temperature**
in air : - 20 to + 60°C.
- **Maximum allowed misalignment: 2°.**

• **Bearing**



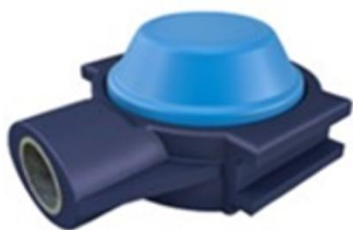
- Type SB (grub screws shaft locking)
- Chrome alloy steel
- Superagriseal unit
- Prelubricated with lithium/calcium grease
- Can be relubricated

• **Series UCFB/C**
Grub screws shaft locking



Ø d mm	Serie	Housing Material	Dimensions in mm													Bore in Frame ¹⁾ Df		Bearing	Weight Kg
		Polyamide PAFV Solid Flange (Blue) Cover (Blue) Code	a	b	c	p	e	f	s	g	i	z	t	Dg	Max.	Min.			
Grub screws shaft locking • Closed unit																			
20	UCFB 204 C	10834542	124,2	68,8	89,8	46	41,3	28,6	11	14	16,4	34,4	49	47	45	40	Type SB	0,26	
25	UCFB 205 C	10834481	124,2	68,8	89,8	46	41,3	28,6	11	14	17,8	37,3	52	52	50	45	Type SB	0,32	
30	UCFB 206 C	10831603	138,6	81,3	97,9	52,4	47,6	31,7	11	14	20	42	55	62	60	50	Type SB	0,47	
35	UCFB 207 C	10834480	154,5	93,7	107,6	60,3	50,8	31,7	13	15	19,5	43	59	72	70	55	Type SB	0,64	
40	UCFB 208 C	10834540	164	100	114	60	50	31	13	-	22	47	66,5	80	78	65	Type SB	0,84	
Grub screws shaft locking • Open unit																			
20	UCFB 204 C	10834537	124,2	68,8	89,8	46	41,3	28,6	11	14	16,4	34,4	49	47	45	40	Type SB	0,26	
25	UCFB 205 C	10834479	124,2	68,8	89,8	46	41,3	28,6	11	14	17,8	37,3	52	52	50	45	Type SB	0,32	
30	UCFB 206 C	10831605	138,6	81,3	97,9	52,4	47,6	31,7	11	14	20	42	55	62	60	50	Type SB	0,47	
35	UCFB 207 C	10834478	154,5	93,7	107,6	60,3	50,8	31,7	13	15	19,5	43	59	72	70	55	Type SB	0,64	
40	UCFB 208 C	10834536	164	100	114	60	50	31	13	-	22	47	66,5	80	78	65	Type SB	0,84	

¹⁾ = Dimensions Df max / Df min must be respected to ensure positive retention of the seals and to allow air bleeding during lubrication.
Packaging : 4 pieces.



- **Waterproof housing**
- **PAFV polyamide housing**

High mechanical and heat resistance. Proof to dust, humidity, washouts, steam, average aggressive chemical agents.

- **Solid flange bearings**

They differ from standard flange versions for their closed surface structure, ideal for sanitation.

- **Bearings with Food Grade grease**

• **Material:**

• **PAFV polyamide housing**

- Housing in reinforced polyamide PAFV resin
- Protection cover in polypropylene PP
- Seal and O-ring in NBR rubber (black)
- Ball type nickel plated brass greasing nipple
- Reinforcing bushings on mounting holes and washers in stainless steel AISI 304

• **Continuous operating temperature**

in air : - 20 to + 60°C.

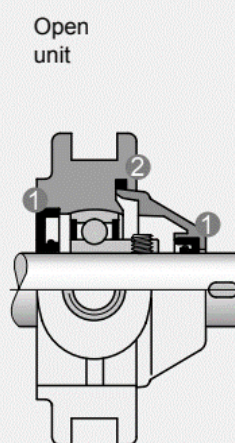
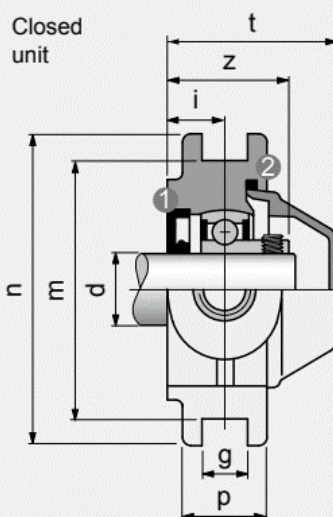
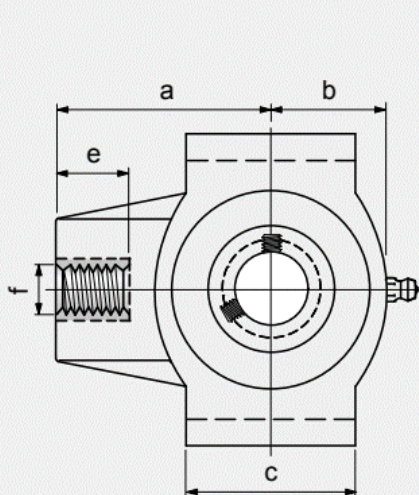
• **Maximum allowed misalignment: 2°.**

• **Bearing**



- Type SB (grub screws shaft locking)
- Chrome alloy steel
- Supergriseal unit
- Prelubricated with lithium/calcium grease
- Can be relubricated

• **Series UCT/C**
Grub screws shaft locking



- ① Seal.
- ② O-Ring.

Ø d mm	Serie	Housing Material	Dimensions in mm													Weight Kg
		Polyamide PAFV Solid Flange (Blue) Cover (Blue) Code	a	b	c	e	f	g	i	m	n	p	z	t	Bearing	
Grub screws shaft locking • Closed unit																
20	UCT 204 C	10834477	63,5	34	50	28	M16	13,5	17	76,2	92	25	35	50	Type SB	0,33
25	UCT 205 C	10791905	68,5	39,5	50	28	M20	13,5	17	76,2	92	25	36,5	52	Type SB	0,39
30	UCT 206 C	10834476	77	48	57	28	M24	13,5	18,5	89	104	28	40,5	55	Type SB	0,50
Grub screws shaft locking • Open unit																
20	UCT 204 C	10834435	63,5	34	50	28	M16	13,5	17	76,2	92	25	35	50	Type SB	0,33
25	UCT 205 C	10791946	68,5	39,5	50	28	M20	13,5	17	76,2	92	25	36,5	52	Type SB	0,39
30	UCT 206 C	10834434	77	48	57	28	M24	13,5	18,5	89	104	28	40,5	55	Type SB	0,50

Packaging : 4 pieces.