



Conveyor Components

Issue 16

CONVEYOR COMPONENTS

- Chain Guide Components Page S002
- Product Handling Components Page S045
- Frame Support Components Page S140
- Miscellaneous Components Page S156

S001 - S189



SUPPORTING AND LEVELLING ELEMENTS

- Articulated Feet in Reinforced Polyamide Page R08
- Articulated Feet Gripper Page R21
- Articulated Feet in Steel Page R34
- Fixed Feet in Steel Page R41
- Threaded Bushings Page R42

R00 - R43



SELF-ALIGNING BEARINGS

- Square Flange Bearing Units Page B04
- Oval Flange Bearing Units Page B14
- Pillow Block Type Bearing Units Page B22
- Compact Pillow Block Type Bearing Units Page B26
- Side Flange Bearing Units Page B28
- Take-up Bearing Units Page B36
- Round Flange Bearing Units Page B38

B00 - B59





The company

Rexnord is a global company supplying many industries with power transmission and conveying components. The product offering ranges from roller chains, couplings and geared products to conveyor chains, belts and components.

The head office is based in the United States, with several divisions all over the world. The Rexnord FlatTop division is manufacturing conveyor chains, belts and components.

Rexnord is fully committed to meet customer expectations; huge knowledge of the business reduces maintenance costs, eliminates redundant inventories and prevents downtime, all in close co-operation with OEMs and end users. This is a result of Rexnord's focus on product development, application engineering, operations and customer service.

Rexnord FlatTop Europe represents 3 strong brands: Rexnord, MCC and Marbett.

With production facilities in 's-Gravenzande and Correggio, sales offices in The Netherlands and Italy, a large sales group for local service in many countries and distributors all over the world, Rexnord is always close to its customers. In this way a fast and reliable delivery is guaranteed.

Rexnord chains and belts are being used to convey a wide variety of products: bottles, cans, boxes, crates, tires, loose food, glass jars, PET containers, trays; shortly every transport in production halls in virtually any industry.

The product range has been split up over two catalogues, one for Rexnord/MCC Table Top/MatTop chains and one for Marbett conveyor components.

The industries served

As the handling specialist in the field of conveying, the Rexnord product portfolio is providing solutions for complete lines in several industries in order to improve productivity.

In beverage industry palletizers, depalletizers, washers, labelers, fillers, pasteurizers, inliners, outfeeds, elevators and accumulation tables are equipped with slatband chains, curves, sprockets, belts, bearings, leveling elements and many more conveyor components.



For the container manufacturing industry special products and materials are available, such as abrasion resistant polyamide for glass plants, vacuum chains for can making and gripper chains for vertical transport.

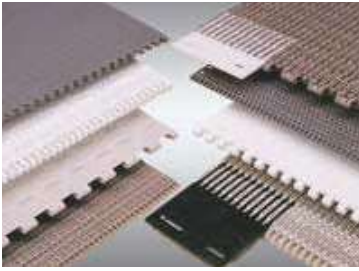


A wide range of products is also offered for blanchers, cookers, washers, coolers and processing lines in fruit, vegetables, bakery, confectionary etc. And many more products are available for the handling of packed food.



In automotive industry the products are engineered to meet the most demanding applications, such as rubber processing and tire handling.

This is just a short selection of the applications in which Rexnord products are being used. Among others they have also found their way into pharmaceutical production lines, battery manufacture, paper and cardboard production.



Rexnord and MCC TableTop chains and MatTop belts

The product line can be split up into:



- **Steel slatband chains**
In various materials ranging from carbon steel to special stainless steel with better wear and sliding properties; types straight running, sideflexing tab, bevel and Magnetflex, with and without rubber top.

- **Plastic slatband chains**

Wide range of materials and various executions; single hinge, double hinge, heavy duty, vacuum, lbp rollers and rubber top.



- **Plate Top and Gripper chains**
Based on the Rexnord roller chains in both stainless and carbon steel; Plate Top chains have steel or plastic top plates; Gripper chains have different types of rubber inserts.

- **Case conveyor and Multiflex chains**
Different types of acetal for both straight running and sideflexing transport of products varying from heavy crates to small juice packs.

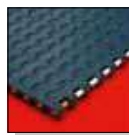


- **Curves**
Magnetflex, Tab and bevel, as well as straight tracks to support the chain in all parts of the line; there are many standard versions besides the ability to make any special curve needed

in your applications with short delivery times.

- **Modular belts**

Pitches differ from 0.5 to 2.25 inch to suit any application. Most series have both closed and open top executions; some also available with rubber top for inclined conveying.



Marbett conveyor components

The product line can be split up into:

- **Chain guide components**

Profiles, corner tracks, straight tracks, return rollers, serpentine, plugs for connections.



- **Product handling components**
Guide rails, roller guides, guide rail clamps, guide rail brackets and connecting clamps in plastic or stainless steel.

- **Frame support components**

Side mounting top brackets, bearing heads, support bases and connecting joints, stainless steel components.



- **Supporting and leveling elements**
Different versions in steel and plastic, articulated and fixed, with and without gripper bottom and vibration absorbing feet.

- **Self-aligning bearings**

Square, oval, pillow block, side flange, take-up, round, and other executions, all with open and closed unit. Lubricated for life versions are also available.



- **Miscellaneous components** Line control elements, hinges, locks, knobs, modular transfer roller plates, rollers, tensioners, nozzles, cable carriage chains, shaft collars and nose-over bars.

CHAIN GUIDE COMPONENTS

Chain Guide Profiles Page S002

Roller Guides for Chain Return Page S027

Serpentine Guides for Chain Return Page S036

Plugs for Connection Page S042



PRODUCT HANDLING COMPONENTS

Product-Guides Page S043

Guide-Rail Clamps Page S086

Guide-Rail Brackets Page S102

Connecting Clamps Page S118



FRAME SUPPORT COMPONENTS

- Side Mounting top Brackets Page S122
- Bearing Heads Page S124
- Support Bases Page S126
- Connecting Joints Page S180
- Support Heads (Stainless steel) Page S130
- Connecting Joints (Stainless steel) Page S134



MISCELLANEOUS COMPONENTS

- Line Control Elements Page S136
- Hinges Page S140
- Locks Page S142
- Tightening Elements Page S143
- Modular transfer roller plate Page S146
- Modular Nose-Over Bar Page S150
- Shaft collars Page S152
- Winding Tensioners Page S154
- Side Guide Adjustment Page S156



TECHNICAL INFORMATION

Technical information Page S162

**Side
Mounting
top Brackets**



Part. S0199 - Pag. S122
Side mounting top bracket for
tubes \varnothing 48,3-50,8 square 38-40.



Part. S0685 - Pag. S135
Side mounting top bracket
for tubes \varnothing 48,3-50,8-60,3.

**Bearing
Heads**



Part. S0198 - Pag. S124
Bearing head for tubes
 \varnothing 48,3-50,8 square 38-40.



Part. S0280 - Pag. S125
Bearing head for tubes
 \varnothing 48,3-50,8-60,3.

**Support
Bases**



Part. S0615 - Pag. S126
Support base for tubes
 \varnothing 38,1-42,4-48,3-50,8-60,3.



Part. S0618 - Pag. S127
Support base for tubes
 \varnothing 38,1-42,4-48,3-50,8-60,3.



Part. S0611 - Pag. S127
Support base for tubes
square 40-50-60.



Part. S0619 - Pag. S128
Support base for tubes
 \varnothing 42,4-48,3-50,8-60,3.



Part. S0616 - Pag. S129
Support base for tubes
 \varnothing 42,4-48,3-50,8-60,3.

**Connecting
Joints**



Part. S0562 - Pag. S130
Connecting joint for tubes
 \varnothing 33,7-38,1-42,4-48,3.



Part. S0563 - Pag. S130
Connecting joint for tubes
 \varnothing 50,8-60,3.



Part. S0137 - Pag. S132
Connecting joint for tubes
 \varnothing 48,3-60,3.



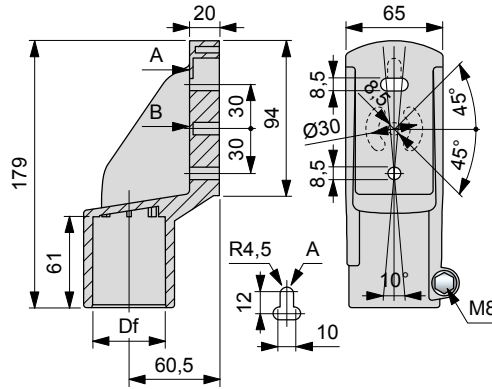
Part. S0686 - Pag. S134
Connecting joint for tubes
 \varnothing 48,3.

Part. S0199

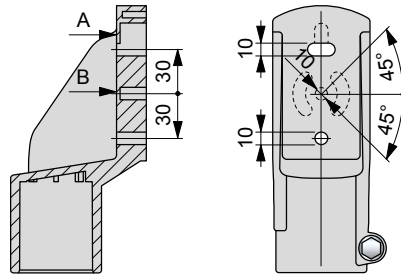


Side mounting top bracket for round

Version with fixing holes for M8



Version with fixing holes for M10

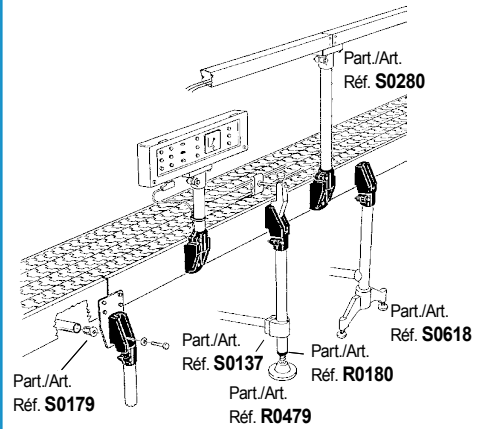


Tube dimensions mm	Bore Df mm	Bolts material	Code
-----------------------	---------------	----------------	------

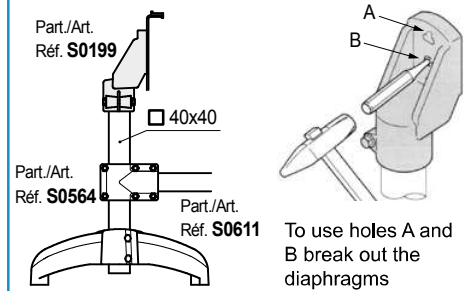
Version with fixing holes for M8

Ø48,3 (1 1/2) Ø48,3 Austenitic stainless steel 59171N

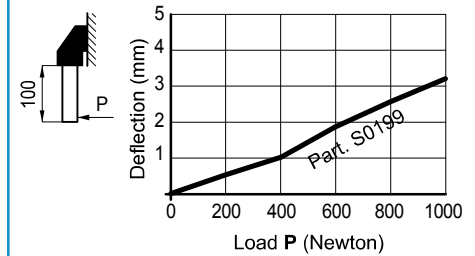
Assembly of Part. S0199 (with round tubes)



Assembly of Part. S0199 (with square tubes)

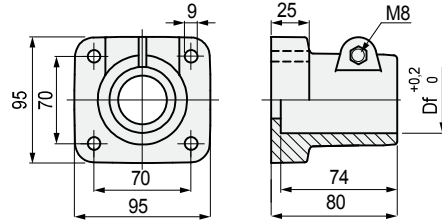


Deflection of Part. S0199



Part. S0198

■ Bearing head

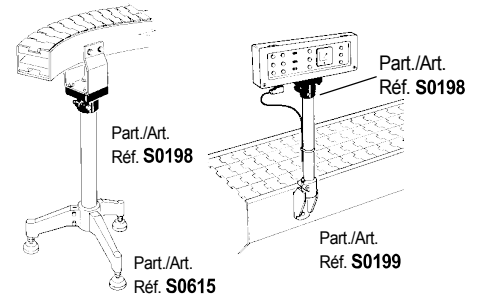


For round and square tubes

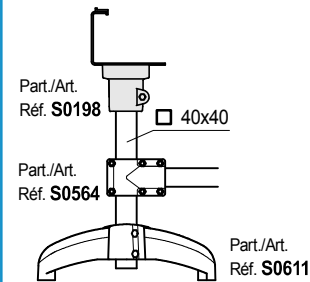
Tube dimensions mm	Bore Df mm	Bolts material	Code
Ø 48,3 (1 7/8)	Ø 48,3	Austenitic stainless steel	59161

- Material: reinforced polyamide PA FV (black).
- Weight: 0,30 Kg.
- Max recommended tightening torque: 2 Kgm.
- Packaging: 24 pieces.

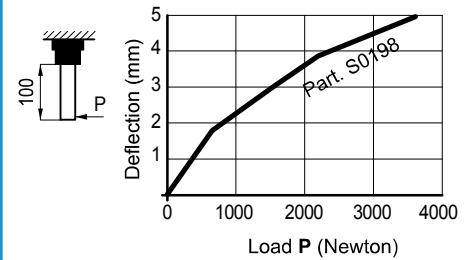
• Assembly of Part. S0198 (with round tubes)



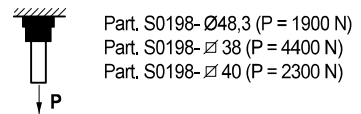
• Assembly of Part. S0198 (with square tubes)



• Deflection of Part. S0198

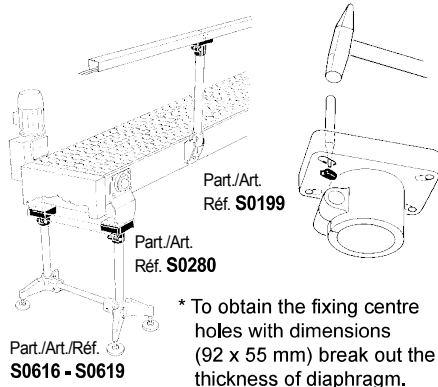


• Sliding load

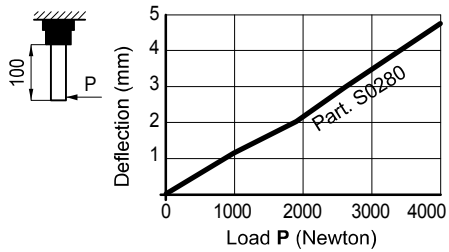


Tests performed at tightening torque: 2 Kgm

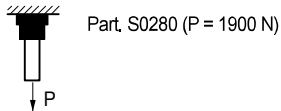
• Assembly of Part. S0280



• Deflection of Part. S0280

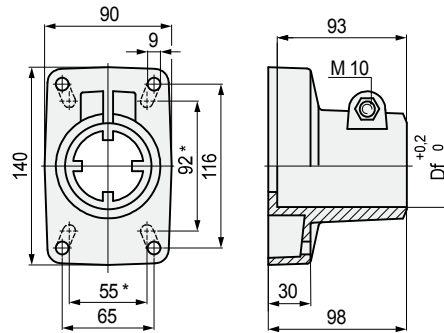


• Sliding load



Tests performed at tightening torque:
- 3,5 Kgm (for Part. S0280)

■ Bearing head



Tube dimensions mm	Bore Df mm	Code
Ø 48,3 (1 1/2")	48,3	63503
Ø 60,3 (2")	60,3	66781

- Material: head in reinforced polyamide PA FV (black).
- Bolts material: austenitic stainless steel.
- Weight: 0,40 Kg.
- Max recommended tightening torque: 3,5 Kgm.
- Packaging: 8 pieces.

Part. S0280



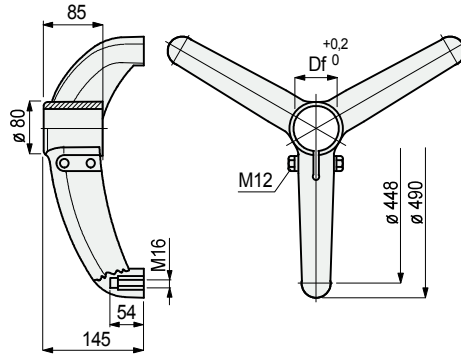
For round tubes

Part. **S0615**

Support base (tripod)



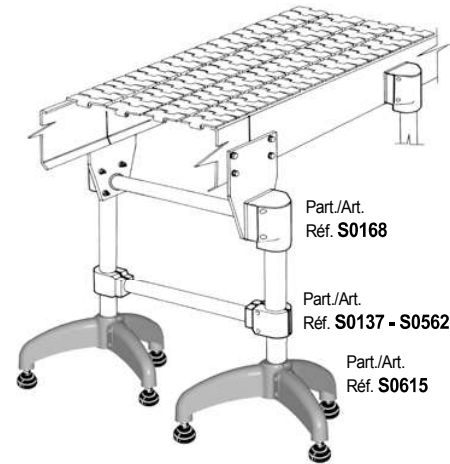
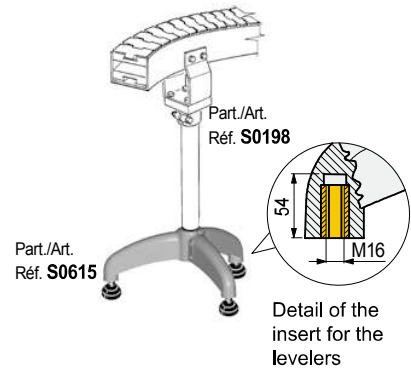
For round tubes



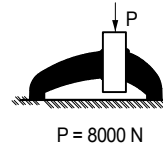
Tube dimensions mm	Bore dia. Df mm	Code
Bolts in austenitic stainless steel		
48,3 (1"½)	48,3	624262
50,8	50,8	624272
60,3 (2")	60,3	621522

- Material: support base in reinforced polyamide PA FV (black), brass threaded bushings.
- Weight: 1,45 Kg.
- Max recommended tightening torque: 3,6 Kgm.
- Packaging: 8 pieces.

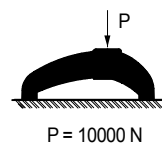
• Assembly of Part. S0615



• Sliding load

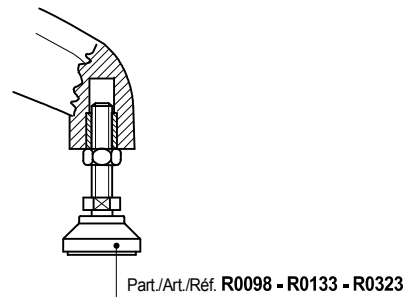


• Max applicable load

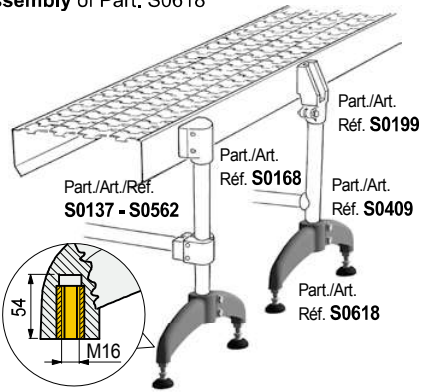


Tests performed at tightening torque: 3,6 Kgm

• Types of levelers that can be used

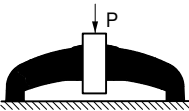


• Assembly of Part. S0618



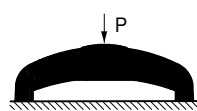
Detail of the insert for the levelers.

• Sliding load



Part. S0618 (P = 8000 N)
Part. S0611 (P = 8000 N)

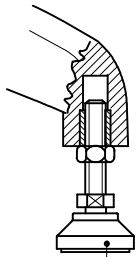
• Max applicable load



Part. S0618 (P = 9600 N)
Part. S0611 (P = 8000 N)

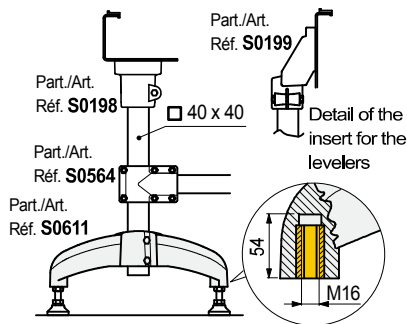
Tests performed at tightening torque:
3,6 Kgm (Part. S0618), 2,5 Kgm (Part. S0611)

• Types of levelers that can be used



Part./Art./Réf. R0098 - R0133 - R0323

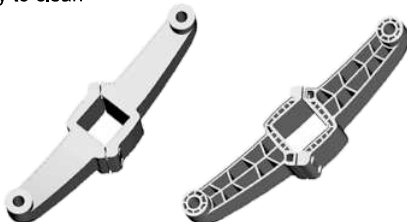
• Assembly of Part. S0611



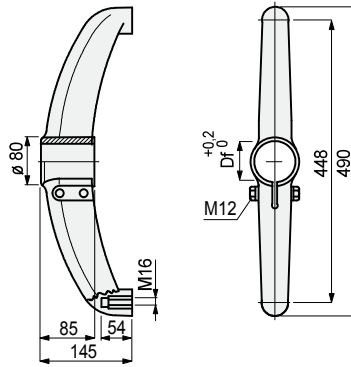
• Part. S0611 available versions

Closed version
Easy to clean

Open versionload



■ Support base (bipod)



Tube dimensions
mm

Bore dia.
Df
mm

Code

Bolts in austenitic stainless steel

48,3 (1 1/2")	48,3	624302
50,8	50,8	624312
60,3 (2")	60,3	624322

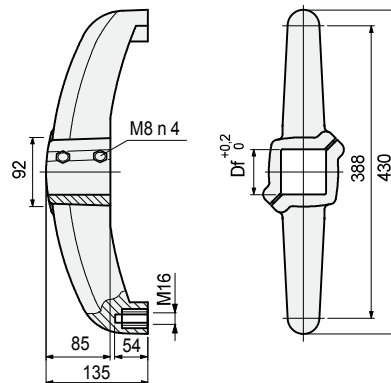
- Material: support base in reinforced polyamide PA FV (black), brass threaded bushings.
- Weight: 1,05 Kg.
- Max recommended tightening torque: 3,6 Kgm.
- Packaging: 4 pieces.

Part. S0618



For round tubes

■ Support base (bipod)



Tube dimensions
mm

Bore
Df
mm

Code

Open
version

50 x 50	50	616092
---------	----	--------

- Material: support base in reinforced polyamide PA FV (black), bolts in austenitic stainless steel, tightening bushes in nickel plated brass, brass threaded bushings.
- Max recommended tightening torque: 2,5 Kgm.
- Weight: 0,9 Kg.
- Packaging: 4 pieces (8 half bases).

Part. S0611



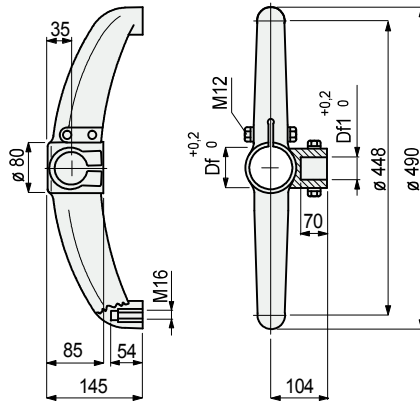
For square tubes

Part. **S0619**



For round tubes

Support base (bipod)

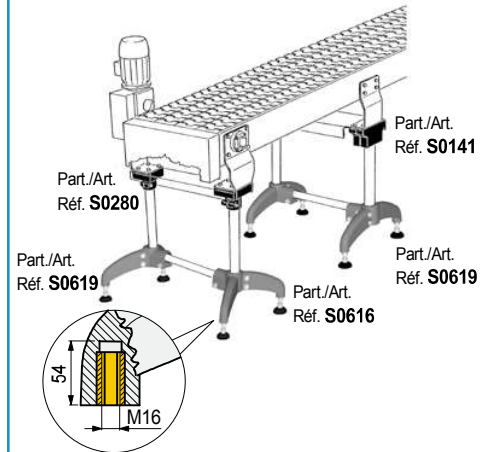


Vertical tube dia. mm	Horizontal tube dia. mm	Bore dia. Df mm	Bore dia. Df1 mm	Code
-----------------------	-------------------------	-----------------	------------------	------

Bolts in austenitic stainless steel				
48,3 (1 ^{1/2})	42,4 (1 ^{3/4})	48,3	42,4	624372
48,3 (1 ^{1/2})	48,3 (1 ^{1/2})	48,3	48,3	692052
Bolts in zinc plated steel				
48,3 (1 ^{1/2})	42,4 (1 ^{3/4})	48,3	42,4	638852

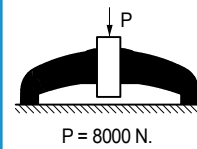
- Material: support base in reinforced polyamide PA FV (black), brass threaded bushings.
- Weight: 1,05 Kg.
- Max recommended tightening torque: 3,6 Kgm.
- Packaging: 4 pieces.

Assembly of Part. S0619

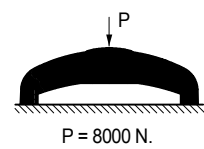


Detail of the insert for the levelers.

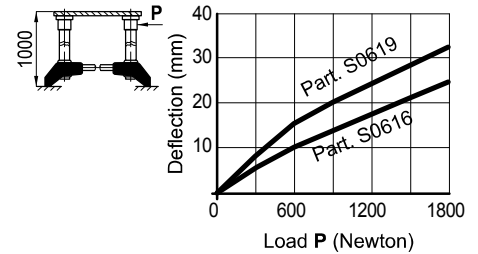
Sliding load



Max applicable load

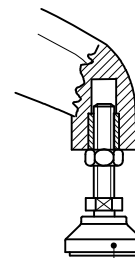


Deflection



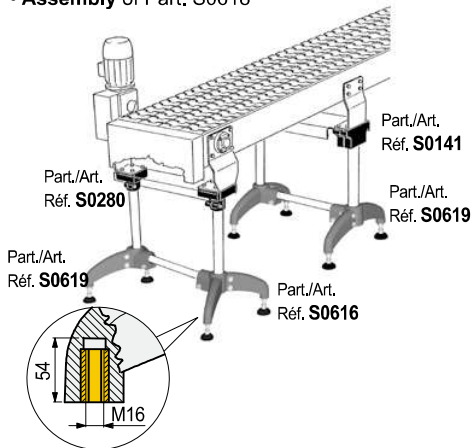
Tests performed at tightening torque: 3,6 Kgm

Types of levelers that can be used



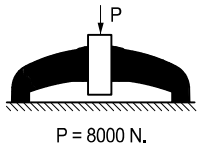
Part./Art./Réf. R0098 - R0133 - R0323

• Assembly of Part. S0618

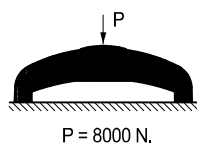


Detail of the insert for the levelers.

• Sliding load

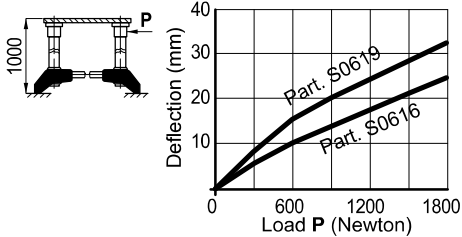


• Max applicable load



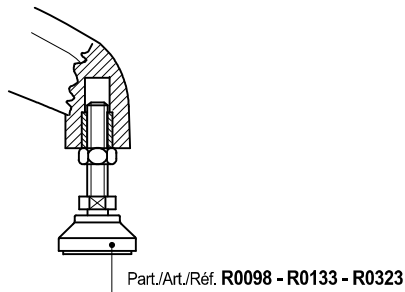
• Deflection

Part. S0616 offers a better rigidity than Part. S0619

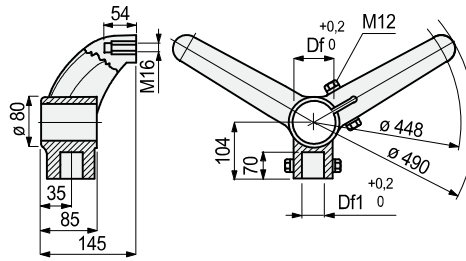


Tests performed at tightening torque: 3,6 Kgm

• Types of levelers that can be used



■ Support base (bipod)



Vertical tube dia. mm	Horizontal tube dia. mm	Bore dia. Df mm	Bore dia. Df1 mm	Code
-----------------------	-------------------------	-----------------	------------------	------

Bolts in austenitic stainless steel

48,3 (1 ¹ / ₂)	42,4 (1 ³ / ₄)	48,3	42,4	624492
48,3 (1 ¹ / ₂)	48,3 (1 ¹ / ₂)	48,3	48,3	611203

- Material: support base in reinforced polyamide PA FV (black), brass threaded bushings.
- Weight: 1,05 Kg.
- Max recommended tightening torque: 3,6 Kgm.
- Packaging: 4 pieces.

Part. S0616



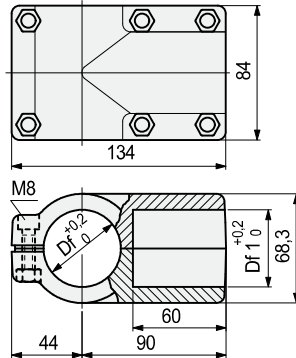
For round tubes

Part. S0562



For round tubes

■ Connecting Joints



Vertical tube dia. mm	Horizontal tube dia. mm	Bore dia. Df mm	Bore dia. Df1 mm	Code
-----------------------	-------------------------	-----------------	------------------	------

48,3 (1 1/2)	48,3 (1 1/2)	48,3	48,3	697861
--------------	--------------	------	------	--------

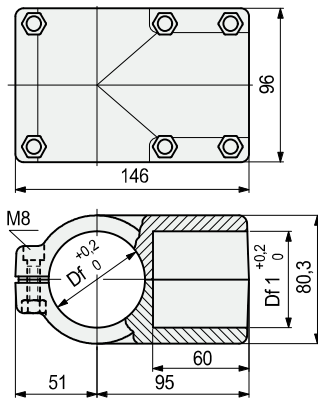
- Material: joint in reinforced polyamide PA FV (black). Tightening screws in austenitic stainless steel, nuts in nickel plated brass.
- Weight: 0,4 Kg.
- Max recommended tightening torque: 1,5 Kgm.
- Packaging: 8 pieces.

Part. S0563



For round tubes

■ Connecting Joints



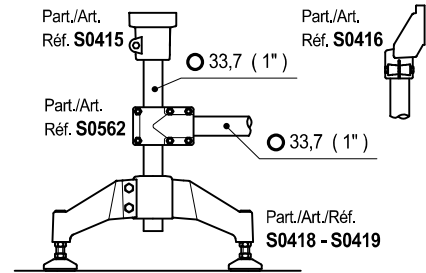
Vertical tube dia. mm	Horizontal tube dia. mm	Bore dia. Df mm	Bore dia. Df1 mm	Code
-----------------------	-------------------------	-----------------	------------------	------

50,8	50,8	50,8	50,8	669512
60,3 (2")	60,3 (2")	60,3	60,3	697891

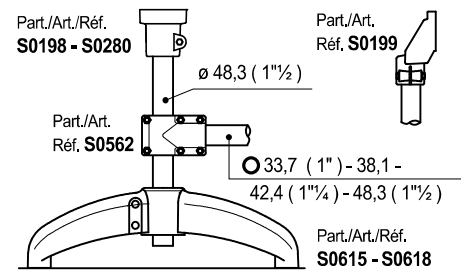
- Material: joint in reinforced polyamide PA FV (black). Tightening screws in austenitic stainless steel, nuts in nickel plated brass.
- Weight: 0,5 Kg.
- Max recommended tightening torque: 1,5 Kgm.
- Packaging: 8 pieces.

• Assembly of Part. S0562

Example of assembly with vertical tubes \varnothing 33,7 mm

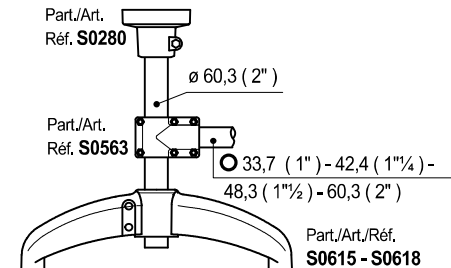


Example of assembly with vertical tubes \varnothing 48,3 mm

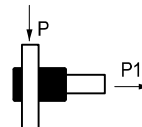


• Assembly of Part. S0563

Example of assembly with vertical tubes \varnothing 60,3 mm



• Sliding load resistance

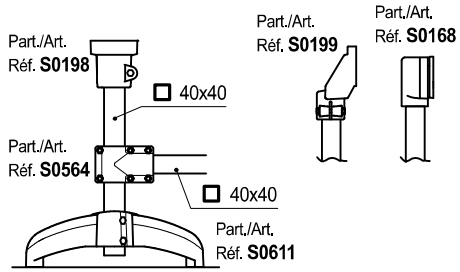


Part. S0562 (P = 2000 N) - (P1 = 3500 N)
 Part. S0563 (P = 1500 N) - (P1 = 3000 N)

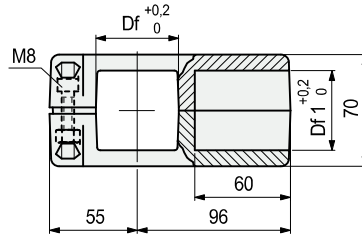
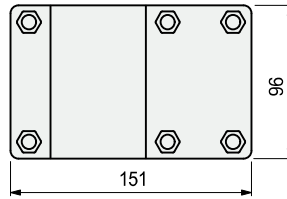
Tests performed at tightening torque: 1,5 Kgm

• Assembly of Part. S0564

Example of assembly with vertical tubes \square 40 mm



■ Connecting Joints



Tube dimensions mm	Bore Df mm	Bore Df1 mm	Code
\square 40 x 40	\square 40	\square 40	698541
\square 50 x 50	\square 50	\square 50	698551

- Material: joint in reinforced polyamide PA FV (black).
Tightening screws in austenitic stainless steel,
nuts in nickel plated brass.
- Weight: 0,5 Kg.
- Max recommended tightening torque: 1,5 Kgm.
- Packaging: 8 pieces.

Part. S0564



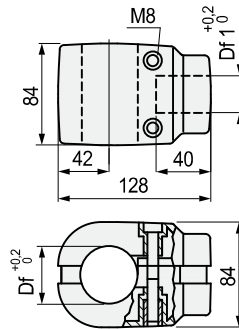
For square tubes

Part. **S0137**



For round tubes

■ Connecting Joints

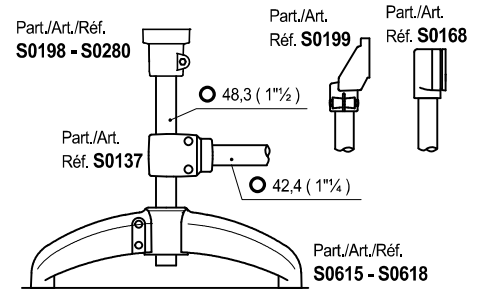


Vertical tube dia. mm	Horizontal tube dia. mm	Bore dia. Df mm	Bore dia. Df1 mm	Code
Ø 48,3 (1 1/2")	Ø 42,4 (1 1/4")	48,3	42,4	66813
Ø 60,3 (2")	Ø 42,4 (1 1/4")	60,3	42,4	65020

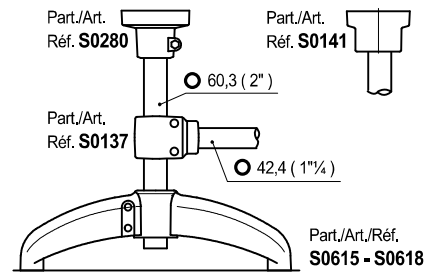
- Material: joint in reinforced polyamide PA FV (black). Tightening screws in austenitic stainless steel, tightening bushes in nickel plated brass.
- Weight: 0,44 Kg.
- Max recommended tightening torque: 1 Kgm.
- Packaging: 8 pieces.

• Assembly of Part. S0137

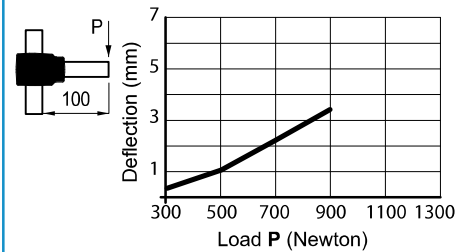
Example of assembly with vertical tubes ø 48,3 mm



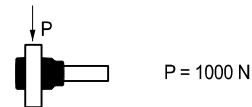
Example of assembly with vertical tubes ø 60,3 mm



• Deflection



• Sliding load resistance



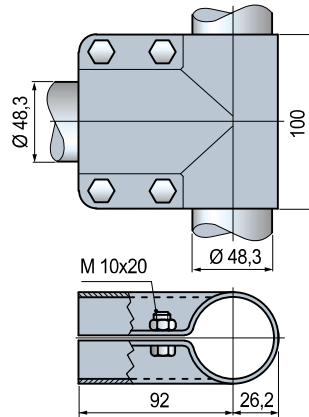
Tests performed at tightening torque: 1 Kgm

Part. **S0686**

■ Connecting Joints



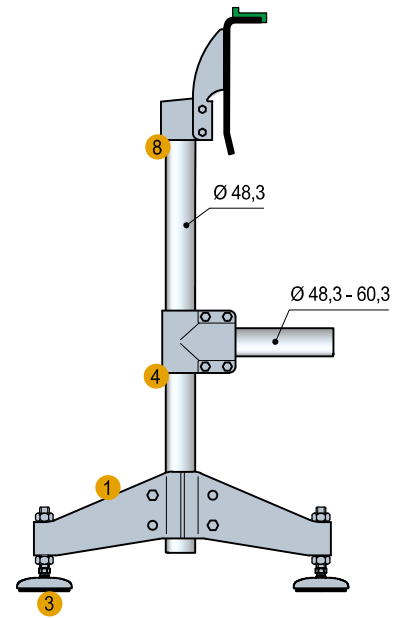
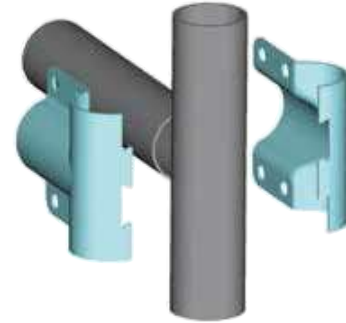
For tubes $\varnothing 48,3$ mm



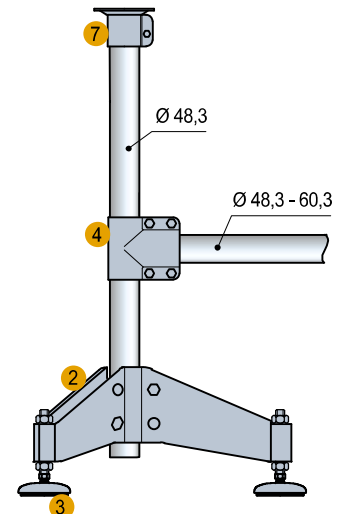
Tube dia. mm	State of supply	Code	Weight kg
48,3 (1"1/2)	With bolts	684512	0,64
	Without bolts	684522	

- Material: joint and bolts in austenitic stainless steel.
- Packaging: 4 pieces.

• Assembly Part. S0686

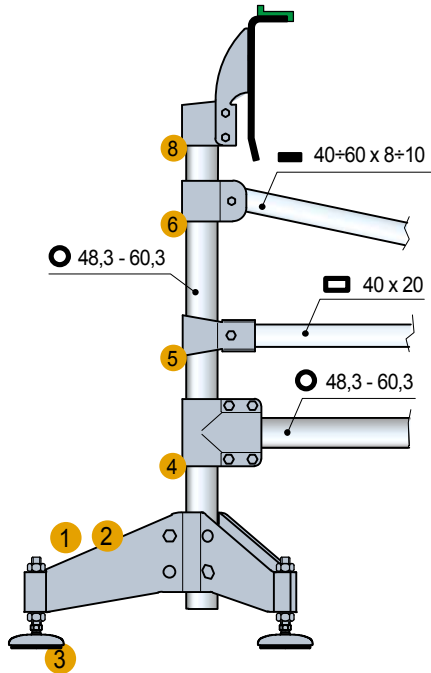


- 1 - Part. S0706
- 2 - Part. S0707
- 3 - Part. S0623 - S0627
- 4 - Part. S0686
- 7 - Part. S0690
- 8 - Part. S0685

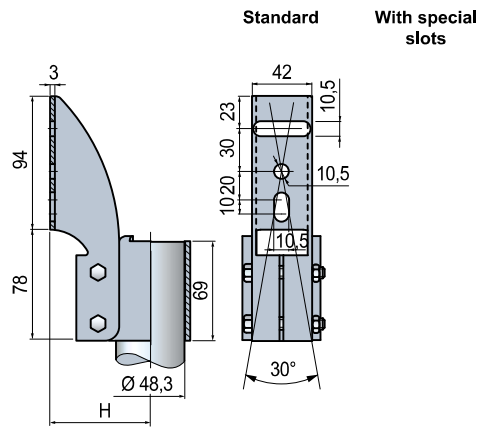
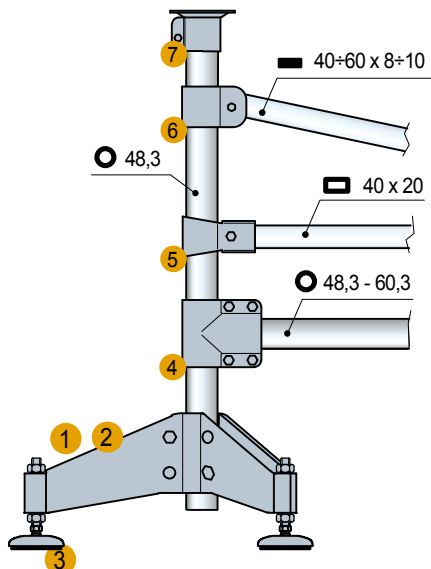
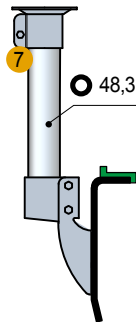


Part. S0685

Side mounting top bracket



- 1 - Part. S0706
- 2 - Part. S0707
- 3 - Part. S0623 - S0627
- 4 - Part. S0686
- 5 - Part. S0688
- 6 - Part. S0689
- 7 - Part. S0690
- 8 - Part. S0685



Tube dia. mm	Code		H mm	Weight kg
	Standard			
48,3 (1"1/2)	684502		72	0,70

- Material: top bracket and bolts in austenitic stainless steel.
- Packaging: 4 pieces.



Resistance against chemical agents	POLYAMIDE	POLYPROPYLENE	POLYETHYLENE	ACETAL	AISI 303	AISI 316	NICKEL PLATED	NBR	VITON
	PA	PP	PE	POM	AISI 304		BRASS	RUBBER	RUBBER
CHEMICAL AGENT	Conc.% 23°C	Conc.% 23°C	Conc.% 23°C	Conc.% 23°C	Conc.% 23°C	Conc.% 23°C	Conc.% 23°C	Conc.% 23°C	Conc.% 23°C
PHENOL	-	+			10 +	+		-	+
PHOSFORIC ACID	10 -	85 +	95 +	10 -	10 -	50 /	-	20 /	85 +
POTASSIUM HYDROXIDE	10 +				50 +	50 +		/	+
SEA WATER	+	+	+	/	+	+	+	+	+
SILICONE OIL	+	+						+	+
SILVER NITRATE	+	20 +			60 /			/	+
SOAP AND WATER	+	+	+	+	+			+	
SODIUM CARBONATE	10 +	Sat. +	+	+	5 +	100 +		+	+
SODIUM CHLORIDE	10 +	Sat. +	+	+	5 +	/	+	+	Sat. +
SODIUM HYDROXIDE	10 +	30 +	+	10 +	-		+	/	
SODIUM HYPOCHLORITE	+	20 +	+	-	-			-	5 +
SODIUM SILICATE	+				100 +	100 +		+	
SODIUM SULPHATE	10 +	Sat. +	+	+	5 +	100 +		+	+
SOFT DRINKS	+	+	+	+	+		+	+	
SUDS	+	+						+	+
SULPHURIC ACID	10 -	98 +	40 /	40 -	10 -	100 +	+	-	95 +
TARTARIC ACID	+	10 +	+	30 /	10 +	50 +	-	+	+
TETRALINE	+	-						-	+
TINCTURE OF IODINE	-	+	+	+			-	/	
TRANSFORMER OIL	+	/						+	+
TRICHLOROETHYLENE	/	/	+	-	+		+	-	+
TURPENTINE	/	-	-	-	+			-	
VASELINE	+	+	/	+				+	+
VEGETABLE JUICES	+	+	+	+	+			+	
VEGETABLE OILS	+	+	+	+	+			+	
VINEGAR	+	+	+	+	+		+	/	-
WHISKY	+	+	+	+	+		+	+	+
WINE	+	+	+	+	+		+	+	+
XILOL	+	-	/	+	+		/	-	+
ZINC CHLORIDE	10 /	20 +			10 -	/		+	Sat. +

Abbreviations: Sat. = saturated.

Legend..

- + = Good resistance.
- / = Fairly good resistance (limited use depending on working conditions).
- = Poor resistance (not recommended).
- N.B. Where tests have not been carried out the spaces are left blank.

The data shown in this table..

are taken from laboratory tests, performed on unstrained test samples. It should be considered as purely indicative since material behaviour under real working conditions depends on different factors: temperature, concentration of the chemical agent, quick or long-lasting effect of the chemical agent.

Operating temperatures

Material	Description	Operating temperatures (°C)		
		Min	Max	Max
PA	Polyamid	0	+ 80	+ 65
PA FV	Reinforced polyamid	- 5	+ 120	+ 100
PP	Polypropylene	+ 5	+ 105	+ 105
PP FV	Reinforced polypropylene	+ 5	+ 115	+ 115
PE (UHMWPE)	Polyethylene	- 40	+ 80	+ 70
POM	Acetal	- 40	+ 80	+ 65
Rex-LF®	Acetal	- 40	+ 80	+ 65
AISI 303 - AISI 304	Austenitic stainless steel (18/8)	- 70	+ 430	+ 120
Fe Zn	Zinc plated steel	- 40	+ 180	-
OT	Nickel plated brass	- 40	+ 180	+ 120

	Page.		Page.		Page.		Page.
Part. S0000	S109	Part. S0275	S025	Part. S0580	S064	Part. S0766	S022
Part. S0050	S098	Part. S0275	S087	Part. S0581	S060	Part. S0767	S020
Part. S0061	S110	Part. S0280	S125	Part. S0581	S061	Part. S0767	S052
Part. S0063	S083	Part. S0296	S058	Part. S0594	S045	Part. S0768	S020
Part. S0070	S096	Part. S0298	S101	Part. S0599	S103	Part. S0768	S052
Part. S0071	S096	Part. S0303	S143	Part. S0611	S127	Part. S0770	S051
Part. S0073	S028	Part. S0308	S046	Part. S0612	S152-S153	Part. S0771	S043
Part. S0075	S154	Part. S0317	S048	Part. S0613	S033	Part. S0782	S030
Part. S0082P	S094	Part. S0337	S140	Part. S0614	S033	Part. S0784	S007
Part. S0107	S103	Part. S0338	S113	Part. S0615	S126	Part. S0786	S121
Part. S0126	S028	Part. S0339	S120	Part. S0616	S129	Part. S0787	S030
Part. S0128	S082-S083	Part. S0340	S118	Part. S0617	S104	Part. S0814	S010
Part. S0137	S132	Part. S0341	S136	Part. S0618	S127	Part. S0822	S004
Part. S0140	S104	Part. S0342	S136	Part. S0619	S128	Part. S0825	S004
Part. S0153	S027	Part. S0346	S050	Part. S0632	S105	Part. S0826	S031
Part. S0159	S095	Part. S0356	S021	Part. S0634	S010	Part. S0827	S031
Part. S0174	S118	Part. S0362	S007	Part. S0637	S106	Part. S0837	S156
Part. S0182	S144	Part. S0366	S014	Part. S0642	S056	Part. S0840	S006
Part. S0183	S144	Part. S0367	S014	Part. S0643	S056	Part. S0846	S148
Part. S0184	S100	Part. S0368	S015	Part. S0645	S057	Part. S0847	S148
Part. S0185	S145	Part. S0369	S012	Part. S0654	S045	Part. S0848	S148
Part. S0190	S100	Part. S0369	S054	Part. S0657	S035	Part. S0849	S148
Part. S0191	S058	Part. S0371	S017	Part. S0661	S116	Part. S0850-S0865	S148
Part. S0192	S108	Part. S0372	S138	Part. S0662	S097	Part. S0852	S081
Part. S0198	S124	Part. S0378	S059	Part. S0672	S146	Part. S0854	S081
Part. S0199	S122	Part. S0387	S008	Part. S0674	S011	Part. S0856	S078
Part. S0210P	S086	Part. S0393	S047	Part. S0685	S135	Part. S0857	S079
Part. S0211	S087	Part. S0421	S029	Part. S0686	S134	Part. S0858	S016
Part. S0213	S088	Part. S0422	S054	Part. S0692	S114	Part. S0862	S107
Part. S0213	S088	Part. S0518	S139	Part. S0694	S090	Part. S0864	S148
Part. S0215	S025	Part. S0523	S037	Part. S0698	S097	Part. S0868	S070
Part. S0215	S091	Part. S0523	S037	Part. S0699	S115	Part. S0868	S072
Part. S0217	S090	Part. S0524	S036	Part. S0708	S102	Part. S0869	S071
Part. S0218	S085	Part. S0533	S039	Part. S0715	S043	Part. S0869	S073
Part. S0219	S049	Part. S0535	S065	Part. S0725	S111	Part. S0885	S013
Part. S0223	S023	Part. S0537	S065	Part. S0729	S036	Part. S0885	S015
Part. S0223	S048	Part. S0539	S057	Part. S0732	S116	Part. S0902	S024
Part. S0226	S112	Part. S0550	S018	Part. S0736	S089	Part. S0903	S024
Part. S0237	S092	Part. S0554	S032	Part. S0737	S089	Part. S0903	S091
Part. S0241	S003	Part. S0555	S034	Part. S0754	S075	Part. S0905	S150-S151
Part. S0243	S003	Part. S0556	S032	Part. S0755	S067	Part. R0098	R10-R11
Part. S0244	S006	Part. S0557	S062	Part. S0755	S069	Part. R0133	R14-R15
Part. S0247	S049	Part. S0562	S130	Part. S0756	S074	Part. R0134	R20
Part. S0247	S092	Part. S0563	S130	Part. S0756	S076	Part. R0173	R08-R09
Part. S0251	S005	Part. S0564	S131	Part. S0757	S066	Part. R0180	R40
Part. S0256	S107	Part. S0565	S042	Part. S0757	S068	Part. R0224	R41
Part. S0260	S140	Part. S0567	S146	Part. S0758	S034	Part. R0297	R21
Part. S0261	S005	Part. S0568	S147	Part. S0760	S080	Part. R0323	R12-R13
Part. S0262	S002	Part. S0569	S147	Part. S0763	S117	Part. R0349	R34
Part. S0272	S142	Part. S0570	S063	Part. S0765	S021	Part. R0406	R39
Part. S0273	S053	Part. S0580	S062	Part. S0765	S053	Part. R0408	R35

Numerical Index

	Page.		Page.
Part. R0479	R16-R17	Part. UCF/C	B04
Part. R0622	R26-R27	Part. UCF/CL	B06
Part. R0623	R28-R29	Part. UCFB	B30
Part. R0626	R22-R23	Part. UCFB/C	B28
Part. R0627	R23-R25	Part. UCFC	B40
Part. R0628	R30-R31	Part. UCFC/C	B38
Part. R0629	R32-R33	Part. UCFL	B20
Part. R0747	R36	Part. UCFL/C	B18
Part. R0747F	R37	Part. UCFLN	B16
Part. R0748	R36	Part. UCFLN/C	B14
Part. R0748F	R37	Part. UCFS/C	B10
Part. R0749	R36	Part. UCP	B24
Part. R0750S	R38	Part. UCP/C	B22
Part. R0750SF	R38	Part. UCPA/C	B26
Part. R0869	R18-R19	Part. UCT/C	B36
Part. F	B12		
Part. HCF	B08		
Part. HCF/C	B04		
Part. HCF/CL	B06		
Part. HCFB	B30		
Part. HCFB/C	B28		
Part. HCFL	B20		
Part. HCFL/C	B18		
Part. HCFLN	B16		
Part. HCFLN/C	B14		
Part. HCFS/C	B10		
Part. HCP	B24		
Part. HCP/C	B22		
Part. HCPA/C	B26		
Part. HCT/C	B36		
Part. SBF	B42		
Part. SF	B12		
Part. SHCF	B08		
Part. SHCF/C	B04		
Part. SHCF/CL	B06		
Part. SHCFL	B20		
Part. SHCFL/C	B18		
Part. SHCFLN	B16		
Part. SHCFLN/C	B14		
Part. SHCFS/C	B10		
Part. SQL	B34		
Part. SQL/C	B32		
Part. SUCF	B08		
Part. SUCF/C	B04		
Part. SUCF/CL	B06		
Part. SUCFL	B20		
Part. SUCFL/C	B18		
Part. SUCFLN	B16		
Part. SUCFLN/C	B14		
Part. SUCFS/C	B10		
Part. UCF	B08		

Why Choose Rexnord?

When it comes to providing highly engineered products that improve productivity and efficiency for industrial applications worldwide, Rexnord is the most reliable in the industry. Commitment to customer satisfaction and superior value extend across every business function.

Delivering Lowest Total Cost of Ownership

The highest quality products are designed to help prevent equipment downtime and increase productivity and dependable operation.

Valuable Expertise

An extensive product offering is accompanied by global sales specialists, customer service and maintenance support teams, available anytime.

Solutions to Enhance Ease of Doing Business

Commitment to operational excellence ensures the right products at the right place at the right time.



REXNORD

Rexnord Company Overview

Rexnord is a growth-oriented, multi-platform industrial company with leading market shares and highly trusted brands that serve a diverse array of global end markets.

Process & Motion Control

The Rexnord Process & Motion Control platform designs, manufactures, markets and services specified, highly engineered mechanical components used within complex systems where our customers' reliability requirements and the cost of failure or downtime are extremely high.

Water Management

The Rexnord Water Management platform designs, procures, manufactures and markets products that provide and enhance water quality, safety, flow control and conservation.