

Chains & sprockets	Wear strips	Side guide brackets & accessories	Levelers	Engineering manual
Modular belts & sprockets	Chain & belt return systems	Frame & structure supports	Bearing supports	
Curves & tracks	Side guide solutions	Miscellaneous products	Equipment	

**SYSTEM PLAST®**

**Smart Guide**

**1 0 1 1 0 a**

**GENERAL INDEX**

[www.SystemPlastSmartGuide.com](http://www.SystemPlastSmartGuide.com)



**RegalRexnord™**

Chains & sprockets	Wear strips	Side guide brackets & accessories	Levelers	Engineering manual
Modular belts & sprockets	Chain & belt return systems	Frame & structure supports	Bearing supports	
Curves & tracks	Side guide solutions	Miscellaneous products	Equipment	

**INTRODUCTION**

Smart Guide visual index..... **10110a**  
 Smart Guide catalog index..... **10110b**  
 How Smart Guide works..... **10110c**  
 Smart Guide icon legend..... **10110d**

**CHAINS & SPROCKETS**

Index metal chains & sprockets..... **11010a**  
 Index straight thermoplastic chains & sprockets..... **11011a**  
 Index sideflexing thermoplastic chains & sprockets..... **11012a**  
 Index other types sideflexing chains & sprockets..... **11013a**

**MODULAR BELTS & SPROCKETS**

Index straight modular belts & sprockets..... **30010a**  
 Index sideflexing modular belts & sprockets..... **30012a**  
 Index ½" pitch (12,7mm) -Thickness: 8,7mm..... **30020a**  
 Index ¾" pitch (19mm) -Thickness: 8,7mm..... **30190a**  
 Index 1" pitch (25,4mm) -Thickness: 8,7mm..... **30300a**  
 Index 1" pitch (25,4mm) -Thickness: 12,7mm..... **30410a**  
 Index 1" pitch (25,4mm)..... **30700a**  
 Index sideflexing modular belts 2256..... **30728a**

**CURVES & TRACKS**

Introduction to curves..... **50005a**  
 Index magnetic curves..... **50010a**

**WEAR STRIPS**

Index wear strips..... **50510a**

**CHAIN & BELT RETURN SYSTEMS**

Index chain & belt return systems..... **51010a**

**SIDE GUIDE SOLUTIONS**

Index side guides & clamps..... **51510a**  
 Index roller side guides & roller transfer plates..... **52510a**

**SIDE GUIDE BRACKETS & ACCESSORIES**

Index side guides brackets..... **53510a**

**FRAME & STRUCTURE SUPPORTS**

Index frame & structure supports..... **54010a**

**MISCELLANEOUS PRODUCTS**

Index miscellaneous products..... **54510a**

**LEVELERS**

Index levelers & tube ends..... **55510a**

**BEARINGS**

Index mounted bearings..... **56010a**

**EQUIPMENT**

Index equipment..... **57010a**

**RELATED INFORMATION** 

Index related information..... **72010a**

**ITEM DESCRIPTION INDEX**

Item description index..... **78000a**

**STANDARD TERMS AND CONDITIONS OF SALE**

Standard terms and conditions of sale..... **79900a**



Chains & sprockets	Wear strips	Side guide brackets & accessories	Levelers	Engineering manual
Modular belts & sprockets	Chain & belt return systems	Frame & structure supports	<b>Bearing supports</b>	
Curves & tracks	Side guide solutions	Miscellaneous products	Equipment	

## 5 6 0 1 0 a

## INDEX MOUNTED BEARINGS

[www.SystemPlastSmartGuide.com](http://www.SystemPlastSmartGuide.com)

TYPE		SHAFT DIAMETER	GRUB SCREWS	ECCENTRIC RING	SKWEZLOC® SHAFT LOCK	SKWEZLOC® PN GOLD™ SHAFT LOCK
	UCFL UCFLH	Ø 12 - Ø 19	5 6 0 3 0 a	-	-	-
		Ø 20 - Ø 40	5 6 0 2 0 a	5 6 0 4 0 a	-	-
<b>New</b>	SEALMASTER TRIATHLON® BEARING UCFH	Ø 30 - Ø 40	-	-	SEALMASTER 5 6 0 4 2 a	-
<b>New</b>	SEALMASTER PN GOLD™ BEARING CRFCS-PN	Ø 30 - Ø 40	-	-	-	SEALMASTER 5 6 0 4 4 a
	CL	Ø 30 - Ø 40	5 6 0 9 0 a	5 6 0 9 0 a	-	-
	UCF UCFO	Ø 12 - Ø 19	5 6 0 6 0 a	-	-	-
		Ø 20 - Ø 40	5 6 0 5 0 a	5 6 0 7 0 a	-	-
<b>New</b>	SEALMASTER TRIATHLON® BEARING UCFO	Ø 30 - Ø 40	-	-	SEALMASTER 5 6 0 7 2 a	-
<b>New</b>	SEALMASTER PN GOLD™ BEARING CRFS-PN	Ø 30 - Ø 40	-	-	-	SEALMASTER 5 6 0 7 4 a
	CS	Ø 30 - Ø 40	5 6 1 0 0 a	5 6 1 0 0 a	-	-

### OTHER VERSIONS: 5 6 0 1 0 b


















Information about this product is only available on our Smart Guide® website.

Chains & sprockets	Wear strips	Side guide brackets & accessories	Levelers	Engineering manual
Modular belts & sprockets	Chain & belt return systems	Frame & structure supports	<b>Bearing supports</b>	
Curves & tracks	Side guide solutions	Miscellaneous products	Equipment	

## 5 6 0 1 0 b

## INDEX MOUNTED BEARINGS

[www.SystemPlastSmartGuide.com](http://www.SystemPlastSmartGuide.com)

TYPE	SHAFT DIAMETER	GRUB SCREWS	ECCENTRIC RING	SKWEZLOC® SHAFT LOCK	SKWEZLOC® PN GOLD™ SHAFT LOCK
 UCP	∅ 20 - ∅ 40	5 6 1 1 0 a	5 6 1 1 0 a	-	-
 UCPA	∅ 20 - ∅ 30	5 6 1 2 0 a 	5 6 1 2 0 a 	-	-
 SQL	∅ 12 - ∅ 20	5 6 1 3 0 a	5 6 1 3 0 a	-	-
 UCFB	∅ 20 - ∅ 30	5 6 1 4 0 a	5 6 1 4 0 a	-	-
 UCHE	∅ 20 - ∅ 35	5 6 1 5 0 a 	5 6 1 5 0 a 	-	-
 UCT	∅ 20 - ∅ 35	5 6 1 6 0 a 	5 6 1 6 0 a 	-	-
 UCTT	∅ 20 - ∅ 35	5 6 1 7 0 a 	5 6 1 7 0 a 	-	-

### OTHER VERSIONS: 5 6 0 1 0 a



  
Information about this product is only available on our Smart Guide® website.



Chains & sprockets	Wear strips	Side guide brackets & accessories	Levelers	Engineering manual
Modular belts & sprockets	Chain & belt return systems	Frame & structure supports	<b>Bearing supports</b>	
Curves & tracks	Side guide solutions	Miscellaneous products	Equipment	



## 56020a

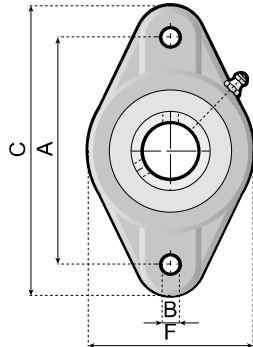
www.SystemPlastSmartGuide.com

## FLANGED HOUSINGS - 2 HOLE VERSIONS

GRUB SCREW VERSION - FOR SHAFT DIAMETERS: 20-40mm

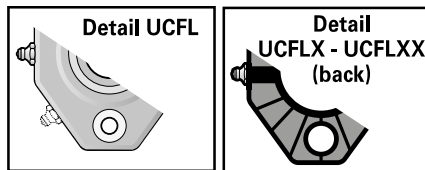


Also available for 12-17 mm shaft diameters. Go to: **56030a**



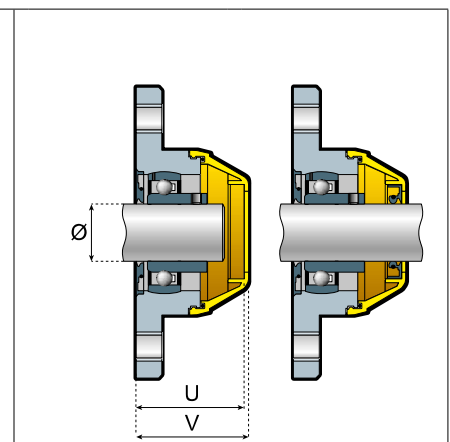
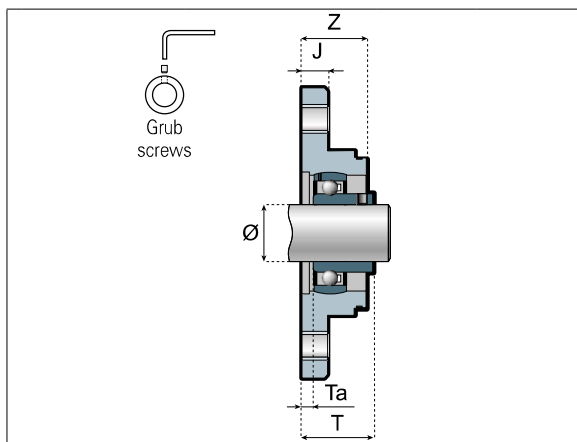
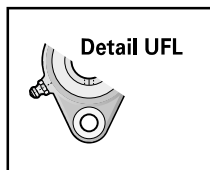
### TECHNICAL INFORMATION

- Types UFL and UCFH have solid polyamide housings for ultimate strength, no trap for contamination (UCFL types have a ribbed back).
- Good resistance against many corrosive chemicals such as water, oils, greases, petrol, milk, wine, alcoholic beverages.
- Available in chrome steel and stainless steel (suitable for food, beverage and pharmaceutical industry).
- Housings also available as complete sealed units for improved protection (wash down resistant version).
- Max. mis-alignment between shaft and housing: 2,5°



A	B	WEIGHT KG (IND.)	VERSION UFL AND UCFH			VERSION UCFLX AND UCFLXX		
			C	F	J	C	F	J
76,5	11	0,25	100	56	12	-	-	-
90	11	0,3	114	70	10	120	85	19
99	11	0,4	130	70	17	130	90	19
117	11	0,5	148	84	14,5	146	98	25
130	14	0,7	163	90	18	159	105	25
144	14	0,8	175	100	18	-	-	-

### VERSION WITH GRUB SCREWS



### COMPONENTS

Housing in reinforced polyamide. Seals in NBR rubber. High precision self-aligning ball bearings in chrome- or stainless steel, pre-lubricated. Grease nipples and spacers from nickel plated brass. Washers (where used) in AISI 304 (DIN 1.4301). Safety cap in polypropylene. (When fitted with a stainless steel bearing, the grease nipple is in stainless steel).

SHAFT Ø	STANDARD VERSION								WASH DOWN RESISTANT VERSION			
	BEARINGS								BEARINGS CHROME STEEL			
	CHROME STEEL		STAINLESS STEEL		SEPARATE CLOSED SAFETY CAP PART NO.	SEPARATE OPEN SAFETY CAP PART NO.	CLOSED CAP		OPEN CAP			
	ITEM DESCRIPTION								ITEM DESCRIPTION			
20	76,5	33,5	8,5	47	49	26	UFLX204-20M	UFLX204-20M-SS	50008	50008APE	UFLX204-20M-CEC	UFLX204-20M-OEC
20		34	8,5	48	50	26	UCFH204-20M	UCFH204-20M-SS	50007	50007APE	UCFH204-20M-CEC	UCFH204-20M-OEC
25	90	35	7,5	52	54	25	UCFLX205-25M	UCFLX205-25M-SS	50003A	50003AAPE	UCFLX205-25M-CEC	UCFLX205-25M-OEC
30		35	5	52	54	25	UCFLXX206-30M	UCFLXX206-30M-SS	50003A	50003AAPE	UCFLXX206-30M-CEC	UCFLXX206-30M-OEC
25	99	37	9,5	52	54	29	UCFH205-25M	UCFH205-25M-SS	50011	50011APE	UCFH205-25M-CEC	UCFH205-25M-OEC
30		35	5	52	54	25	UCFLX206-30M	UCFLX206-30M-SS	50003A	50003AAPE	UCFLX206-30M-CEC	UCFLX206-30M-OEC
30		37	6,5	51	53	29	*UCFH206-30M	UCFH206-30M-SS	50001	50001APE	*UCFH206-30M-CEC	*UCFH206-30M-OEC
35	117	43	10,5	67	69	35	UCFLX207-35M	UCFLX207-35M-SS	50002	50002APE	UCFLX207-35M-CEC	UCFLX207-35M-OEC
40		44	10	67	69	35	*UCFLXX208-40M	UCFLXX208-40M-SS	50002	50002APE	*UCFLXX208-40M-CEC	*UCFLXX208-40M-OEC
35	130	42	9,5	64	66	33	UCFH207-35M	UCFH207-35M-SS	50004	50004APE	UCFH207-35M-CEC	UCFH207-35M-OEC
40		45	11	67	69	35	UCFLX208-40M	UCFLX208-40M-SS	50002	50002APE	UCFLX208-40M-CEC	UCFLX208-40M-OEC
40	144	43	9	63	65	35	UCFH208-40M	UCFH208-40M-SS	50002	50002APE	UCFH208-40M-CEC	UCFH208-40M-OEC

\* Also available SealMaster® Triathlon® Bearings version, go to: **56042a**

Chains & sprockets	Wear strips	Side guide brackets & accessories	Levelers	Engineering manual
Modular belts & sprockets	Chain & belt return systems	Frame & structure supports	<b>Bearing supports</b>	
Curves & tracks	Side guide solutions	Miscellaneous products	Equipment	

**56030a**

**FLANGED BEARING 2 HOLE VERSION**

[www.SystemPlastSmartGuide.com](http://www.SystemPlastSmartGuide.com)

**FOR SHAFT DIAMETERS: 12-17mm**



Also available for 20-40 mm shaft diameters. Go to:

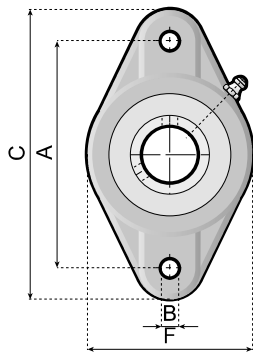
**56020a**



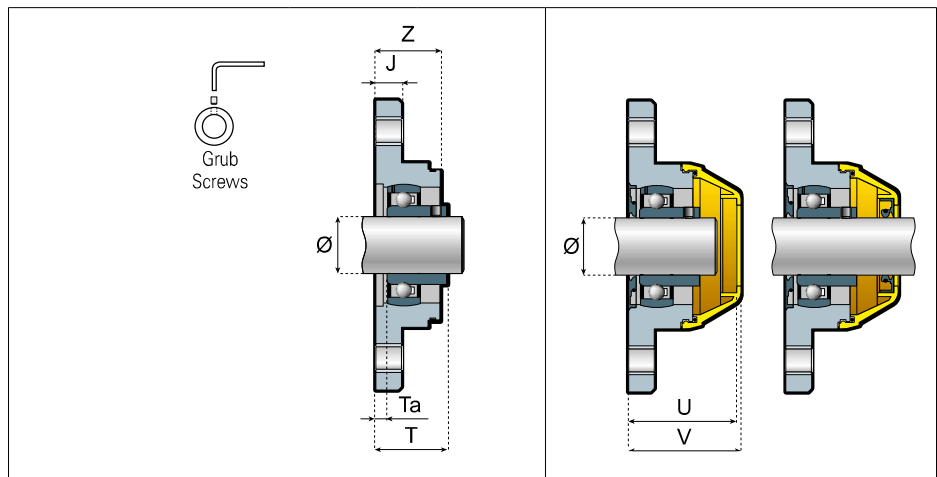
**TECHNICAL INFORMATION**

- Types UFL have solid polyamide housings for ultimate strength, no trap for contamination.
- Good resistance against many corrosive chemicals such as water, oils, greases, petrol, milk, wine, alcoholic beverages.
- Housings also available as complete sealed units for improved protection (wash down resistant version).
- Max. mis-alignment between shaft and housing: 2,5°

A	B	C	F	J	WEIGHT KG(IND.)
76,5	11	100	56	12	0,18



**VERSION WITH GRUB SCREWS**



**COMPONENTS**

Housing in reinforced polyamide. Seals in NBR rubber. High precision self-aligning ball bearings in chrome- or stainless steel, pre-lubricated. Grease nipples and spacers from nickel plated brass. Washers (where used) in AISI 304 (DIN 1.4301). Safety cap in polypropylene.

(When fitted with a stainless steel bearing, the grease nipple is in stainless steel).

SHAFT Ø	A	T	Ta	U	V	Z	STANDARD VERSIONS		WASH DOWN RESISTANT VERSION		
							BEARINGS CHROME STEEL	SEPARATE CLOSED SAFETY CAP PART NO.	SEPARATE OPEN SAFETY CAP PART NO.	BEARINGS CHROME STEEL	CLOSED CAP
ITEM DESCRIPTION							ITEM DESCRIPTION				
12	76,5	32,5	10,5	47	49	26	UCFH201-12M	50008	50008APE	UCFH201-12M-CEC	UCFH201-12M-OEC
15							UCFH202-15M			UCFH202-15M-CEC	UCFH202-15M-OEC
16							UCFH016-16M			UCFH016-16M-CEC	UCFH016-16M-OEC
17							UCFH203-17M			UCFH203-17M-CEC	UCFH203-17M-OEC

Chains & sprockets	Wear strips	Side guide brackets & accessories	Levelers	Engineering manual
Modular belts & sprockets	Chain & belt return systems	Frame & structure supports	<b>Bearing supports</b>	
Curves & tracks	Side guide solutions	Miscellaneous products	Equipment	

## 5 6 0 4 0 a FLANGED HOUSINGS - 2 HOLE VERSIONS - ECCENTRIC LOCK

www.SystemPlastSmartGuide.com

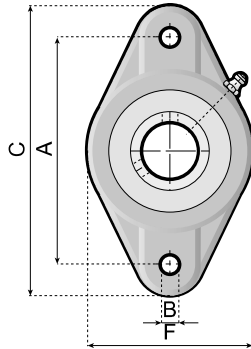
FOR SHAFT DIAMETERS: 20-40mm

For shaft lock with grub screw, go to: **5 6 0 2 0 a**

Also available for 12-17 mm shaft diameters. Go to: **5 6 0 3 0 a**

For new Sealmaster® Skwezloc® bearings, go to: **5 6 0 4 2 a**

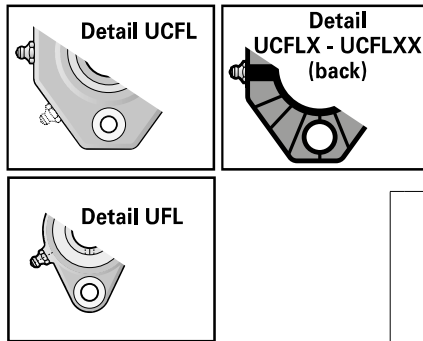
For new Sealmaster® Skwezloc® PN GOLD™ bearings, go to: **5 6 0 4 4 a**



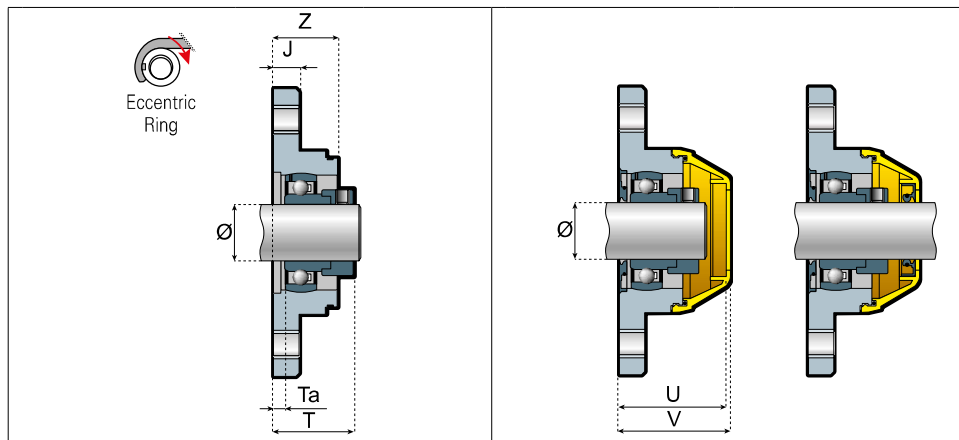
### TECHNICAL INFORMATION

- Types UFL and UCFH have solid polyamide housings for ultimate strength, no trap for contamination (UCFL types have a ribbed back).
- Good resistance against many corrosive chemicals such as water, oils, greases, petrol, milk, wine, alcoholic beverages.
- Available in chrome steel and stainless steel (suitable for food, beverage and pharmaceutical industry).
- Housings also available as complete sealed units for improved protection (wash down resistant version).
- Max. mis-alignment between shaft and housing: 2.5°

A	B	WEIGHT KG (IND.)	VERSION UFL AND UCFH			VERSION UCFLX AND UCFLXX		
			C	F	J	C	F	J
76,5	11	0,25	100	56	12	-	-	-
90	11	0,3	114	70	10	120	85	19
99	11	0,4	130	70	17	130	90	19
117	11	0,5	148	84	14,5	146	98	25
130	14	0,7	163	90	18	159	105	25
144	14	0,8	175	100	18	-	-	-



### VERSION WITH ECCENTRIC RING



### COMPONENTS

Housing in reinforced polyamide. Seals in NBR rubber. High precision self-aligning ball bearings in chrome- or stainless steel, pre-lubricated. Grease nipples and spacers from nickel plated brass. Washers (where used) in AISI 304 (DIN 1.4301).

Safety cap in polypropylene. (When fitted with a stainless steel bearing, the grease nipple is in stainless steel).

SHAFT Ø	A	T	Ta	U	V	Z	STANDARD VERSION			WASH DOWN RESISTANT VERSION	
							BEARINGS CHROME STEEL	SEPARATE CLOSED SAFETY CAP PART NO.	SEPARATE OPEN SAFETY CAP PART NO.	BEARINGS CHROME STEEL	
										CLOSED CAP	OPEN CAP
ITEM DESCRIPTION							ITEM DESCRIPTION				
20	76,5	39	8,5	47	49	26	UFLX204-20ME	50008	50008APE	UFLX204-20ME-CEC	UFLX204-20ME-OEC
20		39,4	8,5	48	50	26	UCFH204-20ME	50007	50007APE	UCFH204-20ME-CEC	UCFH204-20ME-OEC
25	90	38,4	7,5	52	54	25	UCFLX205-25ME	50003A	50003AAPE	UCFLX205-25ME-CEC	UCFLX205-25ME-OEC
30		40,7	5	52	54	25	UCFLXX206-30ME	50003A	50003AAPE	UCFLXX206-30ME-CEC	UCFLXX206-30ME-OEC
25	99	40,4	9,5	52	54	29	UCFH205-25ME	50011	50011APE	UCFH205-25ME-CEC	UCFH205-25ME-OEC
30		40,7	5	52	54	25	UCFLX206-30ME	50003A	50003AAPE	UCFLX206-30ME-CEC	UCFLX206-30ME-OEC
30		42,2	6,5	51	53	29	* UCFLX206-30ME	50001	50001APE	* UCFLX206-30ME-CEC	* UCFLX206-30ME-OEC
35	117	49,4	10,5	67	69	35	UCFLX207-35ME	50002	50002APE	UCFLX207-35ME-CEC	UCFLX207-35ME-OEC
40		53,7	10	67	69	35	* UCFLXX208-40ME	50002	50002APE	* UCFLXX208-40ME-CEC	* UCFLXX208-40ME-OEC
35		48,4	9,5	64	66	33	UCFH207-35ME	50004	50004APE	UCFH207-35ME-CEC	UCFH207-35ME-OEC
40	130	54,7	11	67	69	35	UCFLX208-40ME	50002	50002APE	UCFLX208-40ME-CEC	UCFLX208-40ME-OEC
40	144	52,7	9	63	65	35	UCFH208-40ME	50002	50002APE	UCFH208-40ME-CEC	UCFH208-40ME-OEC

\* Also available SealMaster® Triathlon® Bearings version, go to: **5 6 0 4 2 a**

Chains & sprockets	Wear strips	Side guide brackets & accessories	Levelers	Engineering manual
Modular belts & sprockets	Chain & belt return systems	Frame & structure supports	<b>Bearing supports</b>	
Curves & tracks	Side guide solutions	Miscellaneous products	Equipment	



**56042a**

**TRIATHLON® WASHDOWN BEARING - 2 HOLE VERSIONS**

www.SystemPlastSmartGuide.com

**HIGH PERFORMANCE PN GOLD™ MOUNTED BALL BEARING**

**New**



For shaft lock with grub screw, go to:  
**56020a**



For shaft lock with eccentric ring, go to:  
**56040a**

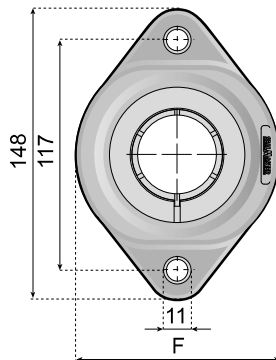


For new Sealmaster® Skwezloc® PN GOLD™ bearings, go to:  
**56044a**

**SEALMASTER®**



Torx® key T25  
Skwezloc®  
shaft lock



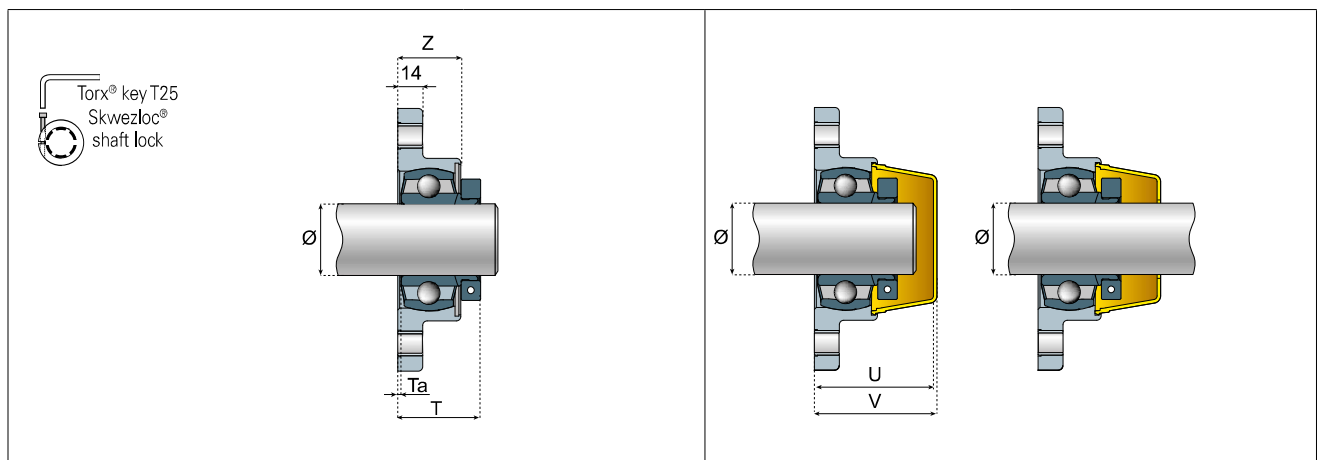
**FEATURES AND BENEFITS**

- High Phosphorous Nickel Plated Bearing Inner & Outer Ring for exceptional corrosion resistance.
- High Performance Triple Lip Seal to minimize contamination ingress and retain lubrication.
- Locking collar centers the shaft in the bearing bore and secures the shaft with near perfect concentricity.
- Reduced Bolt Hole Spacing to replace OEM compact conveyor designs with 30mm and 40mm shaft diameters.
- Durable polyamide housing with corrosion resistant bolt hole spacers.
- Securely fastened snap in end cap to further protect bearing with drain hole to prevent liquid build up inside.
- Lubed for Life design with Tapered Land Outer ring race profile to direct lubrication into the ball path.
- Max. mis-alignment between shaft and housing: 2°

**COMPONENTS**

Housing in reinforced polyamide light grey. High precision self-aligning ball bearings in hardened corrosion resistant steel. Spacers in nickel plated brass. Safety cap in polypropylene (transparent-yellow).

SHAFT Ø	T	Ta	U	V	Z	F
30	41,2	2	51	53	33	80
40	46,7	2	67	69	35	103



**VERSION WITHOUT SAFETY CAP**

**VERSION INCLUDING SAFETY CAP**

SHAFT Ø	ITEM DESCRIPTION	SEPARATE CLOSED SAFETY CAP PART NO.	SEPARATE OPEN SAFETY CAP PART NO.	CLOSED CAP	OPEN CAP
		ITEM DESCRIPTION			
30	UCFH206-30MT-PNLL-SG	CAP-C7023-IF-YT-SE	CAP7023-B30M-P-YT-SE	UCFH206-30MT-PNLL-SG-CEC	UCFH206-30MT-PNLL-SG-OEC
40	UCFHXX208-40MT-PNLL-SG	CAP-C8437-IF-YT-SE	CAP8437-B40M-P-YT-SE	UCFHXX208-40MT-PNLL-SG-CEC	UCFHXX208-40MT-PNLL-SG-OEC

Chains & sprockets	Wear strips	Side guide brackets & accessories	Levelers	Engineering manual
Modular belts & sprockets	Chain & belt return systems	Frame & structure supports	<b>Bearing supports</b>	
Curves & tracks	Side guide solutions	Miscellaneous products	Equipment	



**56044a**

www.SystemPlastSmartGuide.com

**PN GOLD™ BEARING - 2 HOLE VERSIONS**

**HIGH PERFORMANCE PN GOLD™ MOUNTED BALL BEARING**

**New**



For shaft lock with grub screw, go to:

**56020a**



For shaft lock with eccentric ring, go to:

**56040a**



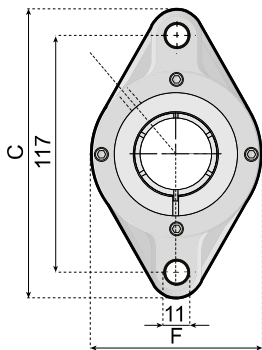
For new Sealmaster® Skwezloc® bearings, go to:

**56042a**

**SEALMASTER**



Torx® key T25  
Skwezloc® PN GOLD™  
shaft lock



**FEATURES AND BENEFITS**

Sealmaster PN GOLD™ mounted bearings feature high phosphorus, electroless nickel coated steel insert with patented seal technology available in either setscrew or SKWEZLOC® concentric locking collar, 316 stainless casting and high strength housing configurations. The high performance triple lip seal is the latest innovation of over 10 patents on sealing technology. The combination of stainless flingers and FKM lip materials provide a strong contaminant resistance and GoldPlex® FG (USDA H1) food grade grease loss. Specially engineered for industries with corrosive wash down environments such as food and beverage, pharmaceuticals and chemical processing. PN GOLD mounted ball bearings provide outstanding performance in demanding corrosive environments.

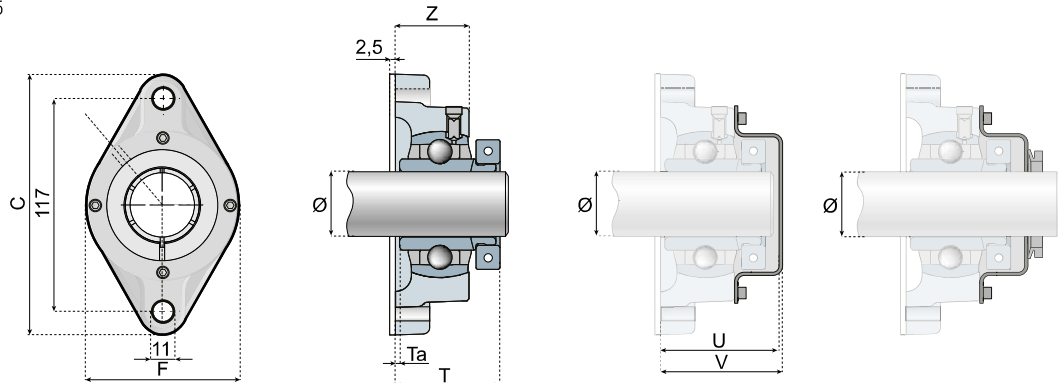
**COMPONENTS**

- Bearing Housing Material: 316 Passivated stainless steel
- Bearing Insert Material: High phosphorus electroless nickel coated steel
- Seal Material: High performance triple lip seal
- Self Alignment: +/- 2°
- Lock Type: Skwezloc concentric locking collar
- Temperature: -29° to 104° C (-20° to 220° F)
- Grease: Sealmaster GoldPlex-FG
- End cap in stainless steel (bolts included) - must be ordered separately

SHAFT Ø	T	Ta	U	V	Z	F	C
30	39,6	1,6	45,3	46,5	29	82,6	141
40	44,4	1,6	53,2	54,4	32,3	105,6	157



Torx® key T25  
Skwezloc®  
PN GOLD™  
shaft lock



**VERSION WITHOUT SAFETY CAP**

SHAFT Ø	ITEM DESCRIPTION	SEPARATE CLOSED SAFETY CAP PART NO.	SEPARATE OPEN SAFETY CAP PART NO.
30	<b>CRBFTS-PN206T-RMW</b>	<b>BEC-19</b>	<b>BEO-19</b>
40	<b>CRBFTRs-PN208T-RMW</b>	<b>BEC-24</b>	<b>BEO-24</b>



Chains & sprockets	Wear strips	Side guide brackets & accessories	Levelers	Engineering manual
Modular belts & sprockets	Chain & belt return systems	Frame & structure supports	<b>Bearing supports</b>	
Curves & tracks	Side guide solutions	Miscellaneous products	Equipment	

## 56050a

www.SystemPlastSmartGuide.com

## FLANGED HOUSINGS - 4 HOLE VERSIONS

GRUB SCREW VERSION - FOR SHAFT DIAMETERS: 20-40mm



For shaft lock with eccentric ring, go to:  
**56070a**

Also available for 12-17 mm shaft diameters. Go to:  
**56060a**



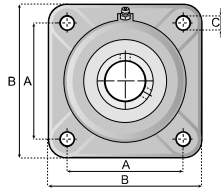
Shaft lock with grub screw



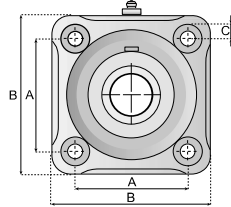
For new Sealmaster® Skwezloc® bearings, go to:  
**56072a**



For new Sealmaster® Skwezloc® PN GOLD™ bearings, go to:  
**56074a**



**Type A:**  
Flat bearing with grease nipple (angle 25°) and ribs.

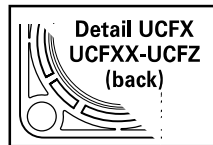


**Type B:**  
Flat bearing with grease nipple (horizontal 0°).

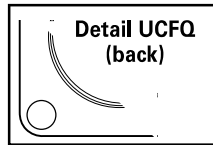
### TECHNICAL INFORMATION

- Type UCFO has a solid polyamide housing for ultimate strength, no trap for contamination. (UCF type has a ribbed back).
- Good resistance against many corrosive chemicals such as water, oils, greases, petrol, milk, wine, alcoholic beverages.
- Available in chrome steel and stainless steel (suitable for food, beverage and pharmaceutical industry).
- Housings also available as complete sealed units for improved protection (wash down resistant version).
- Max. mis-alignment between shaft and housing: 2.5°

A	C	WEIGHT KG (IND.)	VERSION UCFO		VERSION UCFX, UCFZ, UCFJ AND UCFXX	
			B	J	B	J
63,5	11	0,2	86	10	86	19
70	11	0,3	95	12,5	98	19
77	11	-	-	-	110	25
83	11	0,5	108	12,5	110	25
92	14	0,6	118	16	118	25
101,5	14	0,8	130	16	130	25



**Detail UCFX  
UCFXX-UCFZ  
(back)**



**Detail UCFO  
(back)**

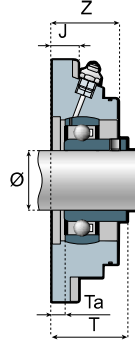
### COMPONENTS

Housing in reinforced polyamide. Seals in NBR rubber. High precision self-aligning ball bearings in chrome or stainless steel, pre-lubricated. Grease nipples and spacers from nickel plated brass. Washers (where used) in AISI 304 (DIN 1.4301). Safety cap in polypropylene. (When fitted with a stainless steel bearing, the grease nipple is in stainless steel).

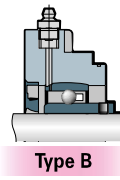
### VERSION WITH GRUB SCREWS



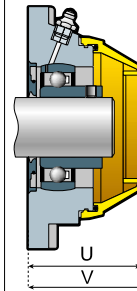
Grub screws



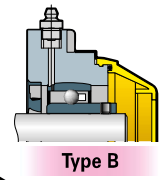
**Type A**



**Type B**



**Type A**



**Type B**

#### STANDARD VERSION

BEARINGS		SEPARATE CLOSED SAFETY CAP PART NO.	SEPARATE OPEN SAFETY CAP PART NO.
CHROME STEEL	STAINLESS STEEL		

#### WASH DOWN RESISTANT VERSION

BEARINGS CHROME STEEL	
CLOSED CAP	OPEN CAP

SHAFT Ø	TYPE	A	T	Ta	U	V	Z	ITEM DESCRIPTION		SEPARATE CLOSED SAFETY CAP PART NO.	SEPARATE OPEN SAFETY CAP PART NO.	ITEM DESCRIPTION	
								CHROME STEEL	STAINLESS STEEL			CLOSED CAP	OPEN CAP
20	A	63,5	33,5	8,5	48	50	26	UCFQ204-20M	UCFQ204-20M-SS	50007	50007APE	UCFQ204-20M-CEC	UCFQ204-20M-OEC
25	B	63	34,5	7,5	50	52	34,5	UCFX205-25M	UCFX205-25M-SS	50003A	50003AAPE	UCFX205-25M-CEC	UCFX205-25M-OEC
20	B	70	34	9	50	52	25	UCFZ204-20M	UCFZ204-20M-SS	50003A	50003AAPE	UCFZ204-20M-CEC	UCFZ204-20M-OEC
25	A		36,5	9,5	52	54	29	UCFQ205-25M	UCFQ205-25M-SS	50011	50011APE	UCFQ205-25M-CEC	UCFQ205-25M-OEC
30	B	77	46	14	68	70	36	UCFX206-30M	UCFX206-30M-SS	50004	50004APE	UCFX206-30M-CEC	UCFX206-30M-OEC
40	B		44	10	68	70	36	UCFXX208-40M	UCFXX208-40M-SS	50004	50004APE	UCFXX208-40M-CEC	UCFXX208-40M-OEC
25	B	83	38,5	11,5	53	55	31	UCFZ205-25M	UCFZ205-25M-SS	50001	50001APE	UCFZ205-25M-CEC	UCFZ205-25M-OEC
30	A		36,5	6,5	51	53	29	UCFQ206-30M	UCFQ206-30M-SS	50001	50001APE	UCFQ206-30M-CEC	UCFQ206-30M-OEC
35	B		43,5	11,5	67	69	35	UCFX207-35M	UCFX207-35M-SS	50002	50002APE	UCFX207-35M-CEC	UCFX207-35M-OEC
40	B		45	11	67	69	35	UCFXX208-40M	UCFXX208-40M-SS	50002	50002APE	UCFXX208-40M-CEC	UCFXX208-40M-OEC
35	A	92	41,5	9,5	64	66	33	UCFQ207-35M	UCFQ207-35M-SS	50004	50004APE	UCFQ207-35M-CEC	UCFQ207-35M-OEC
40	B		45	11	67	69	35	UCFX208-40M	UCFX208-40M-SS	50002	50002APE	UCFX208-40M-CEC	UCFX208-40M-OEC
40	A	101,5	43	9	63	65	35	UCFQ208-40M	UCFQ208-40M-SS	50002	50002APE	UCFQ208-40M-CEC	UCFQ208-40M-OEC

\* Also available SealMaster® Triathlon® Bearings version, go to: **56072a**

Chains & sprockets	Wear strips	Side guide brackets & accessories	Levelers	Engineering manual
Modular belts & sprockets	Chain & belt return systems	Frame & structure supports	<b>Bearing supports</b>	
Curves & tracks	Side guide solutions	Miscellaneous products	Equipment	



**5 6 0 6 0 a**

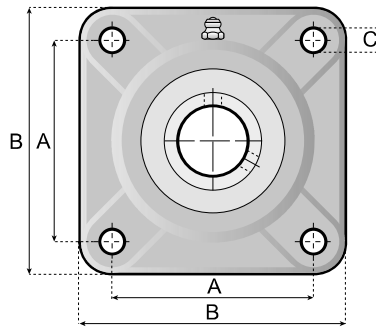
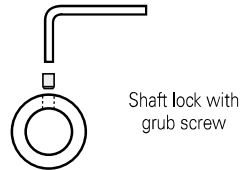
[www.SystemPlastSmartGuide.com](http://www.SystemPlastSmartGuide.com)

**FLANGED BEARING UCFO / UCFO-R / UCFO-RL**

FOR SHAFT DIAMETERS: 12-17mm

Also available for 20-40 mm shaft diameters. Go to:

**5 6 0 5 0 a**

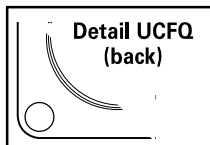


**TECHNICAL INFORMATION**

- Type UCFO has a solid polyamide housing for ultimate strength; no trap for contamination.
- Good resistance against many corrosive chemicals such as water, oils, greases, petrol, milk, wine, alcoholic beverages.
- Housings also available as complete sealed units for improved protection (wash down resistant version).
- Max. mis-alignment between shaft and housing: 2.5°

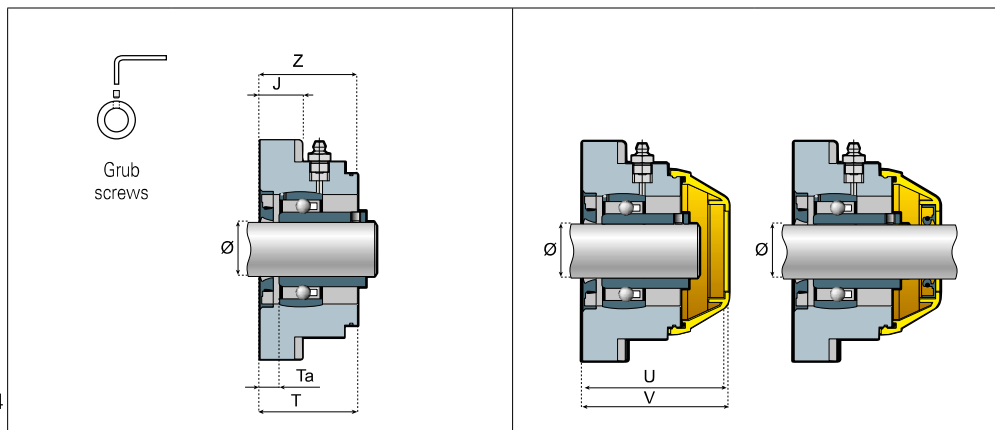
A	B	C	J	WEIGHT KG(IND.)
54	76	11	10	0,18

**VERSION WITH GRUB SCREWS**



**COMPONENTS**

Housing in reinforced polyamide. Seals in NBR rubber. High precision self-aligning ball bearings in chrome or stainless steel, pre-lubricated. Grease nipples and spacers from nickel plated brass. Washers (where used) in AISI 304 (DIN 1.4301). Safety cap in polypropylene. (When fitted with a stainless steel bearing, the grease nipple is in stainless steel).



STANDARD VERSION				WASH DOWN RESISTANT VERSION	
BEARINGS		SEPARATE CLOSED SAFETY CAP PART NO.	SEPARATE OPEN SAFETY CAP PART NO.	BEARINGS CHROME STEEL	
CHROME STEEL	STAINLESS STEEL			CLOSED CAP	OPEN CAP
ITEM DESCRIPTION		ITEM DESCRIPTION			
12	-	50008	50008APE	UCFQZ201-12M-CEC	UCFQZ201-12M-OEC
15	-			UCFQZ202-15M-CEC	UCFQZ202-15M-OEC
16	-			UCFQZ016-16M-CEC	UCFQZ016-16M-OEC
17	-			UCFQZ203-17M-CEC	UCFQZ203-17M-OEC

SHAFT Ø	A	T	Ta	U	V	Z
12	54	32,5	10,5	47	49	26
15						
16				47,5	49,5	
17						

Chains & sprockets	Wear strips	Side guide brackets & accessories	Levelers	Engineering manual
Modular belts & sprockets	Chain & belt return systems	Frame & structure supports	<b>Bearing supports</b>	
Curves & tracks	Side guide solutions	Miscellaneous products	Equipment	

## 56070a

## FLANGED HOUSINGS - 4 HOLE VERSIONS - ECCENTRIC LOCK

www.SystemPlastSmartGuide.com

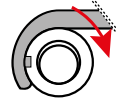
FOR SHAFT DIAMETERS: 20-40mm

For shaft lock with grub screw, go to: **56050a**

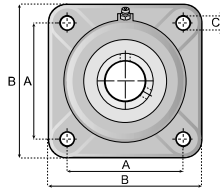
Also available for 12-17 mm shaft diameters. Go to: **56060a**

For new Sealmaster® Skwezloc® bearings, go to: **56072a**

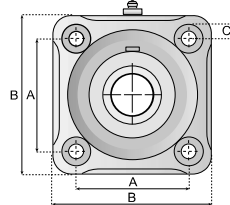
For new Sealmaster® Skwezloc® PN GOLD™ bearings, go to: **56074a**



Shaft lock with eccentric ring



**Type A:**  
Flat bearing with grease nipple (angle 25°) and ribs.

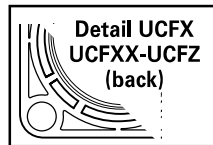


**Type B:**  
Flat bearing with grease nipple (horizontal 0°).

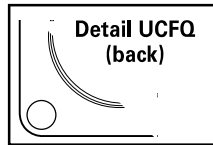
### TECHNICAL INFORMATION

- Type UCFO has a solid polyamide housing for ultimate strength; no trap for contamination. (UCF type has a ribbed back).
- Good resistance against many corrosive chemicals such as water, oils, greases, petrol, milk, wine, alcoholic beverages.
- Available in chrome steel and stainless steel (suitable for food, beverage and pharmaceutical industry).
- Housings also available as complete sealed units for improved protection (wash down resistant version).
- Max. mis-alignment between shaft and housing: 2.5°

A	C	WEIGHT KG (IND.)	VERSION UCFO		VERSION UCFX, UCFZ, UCFE AND UCFFX	
			B	J	B	J
63,5	11	0,2	86	10	86	19
70	11	0,3	95	12,5	98	19
77	11	-	-	-	110	25
83	11	0,5	108	12,5	110	25
92	14	0,6	118	16	118	25
101,5	14	0,8	130	16	130	25



Detail UCFX UCFXX-UCFZ (back)



Detail UCFO (back)

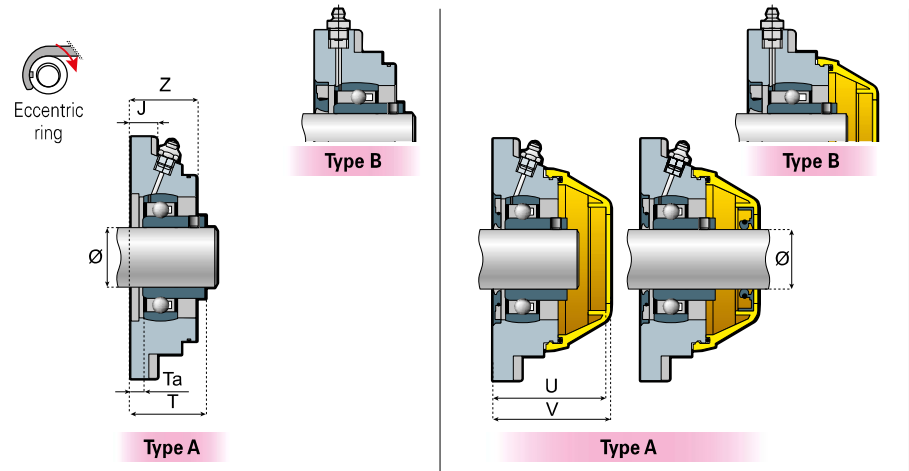
### COMPONENTS

Housing in reinforced polyamide. Seals in NBR rubber. High precision self-aligning ball bearings in chrome- or stainless steel, pre-lubricated. Grease nipples and spacers from nickel plated brass. Washers (where used) in AISI 304 (DIN 1.4301).

Safety cap in polypropylene.

(When fitted with a stainless steel bearing, the grease nipple is in stainless steel).

### VERSION WITH ECCENTRIC RING



SHAFT Ø	TYPE	A	T	Ta	U	V	Z	STANDARD VERSION			WASH DOWN RESISTANT VERSION		
								ITEM DESCRIPTION	SEPARATE CLOSED SAFETY CAP PART NO.	SEPARATE OPEN SAFETY CAP PART NO.	BEARINGS CHROME STEEL		
											CLOSED CAP	OPEN CAP	
											ITEM DESCRIPTION		
20	A	63,5	39,4	8,5	48	50	26	UCFQ204-20ME	50007	50007APE	UCFQ204-20ME-CEC	UCFQ204-20ME-OEC	
25	B	63	38,4	7,5	50	52	25	UCFX205-25ME	50003A	50003AAPE	UCFX205-25ME-CEC	UCFX205-25ME-OEC	
20	B	70	39,9	9	50	52	25	UCFZ204-20ME	50003A	50003AAPE	UCFZ204-20ME-CEC	UCFZ204-20ME-OEC	
25	A		40,4	9,5	52	54	29	UCFQ205-25ME	50011	50011APE	UCFQ205-25ME-CEC	UCFQ205-25ME-OEC	
30	B	77	49,7	14	68	70	36	UCFX206-30ME	50004	50004APE	UCFX206-30ME-CEC	UCFX206-30ME-OEC	
40	B		53,7	10	68	70	36	UCFXX208-40ME	50004	50004APE	UCFXX208-40ME-CEC	UCFXX208-40ME-OEC	
25	B	83	42,4	11,5	53	55	31	UCFZ205-25ME	50001	50001APE	UCFZ205-25ME-CEC	UCFZ205-25ME-OEC	
30	A		42,2	6,5	51	53	29	* UCFQ206-30ME	50001	50001APE	* UCFQ206-30ME-CEC	* UCFQ206-30ME-OEC	
35	B		50,4	11,5	67	69	35	UCFX207-35ME	50002	50002APE	UCFX207-35ME-CEC	UCFX207-35ME-OEC	
40	B		54,7	11	67	69	35	* UCFXX208-40ME	50002	50002APE	* UCFXX208-40ME-CEC	* UCFXX208-40ME-OEC	
35	A		92	48,4	9,5	64	66	33	UCFQ207-35ME	50004	50004APE	UCFQ207-35ME-CEC	UCFQ207-35ME-OEC
40	B			54,7	11	67	69	35	UCFX208-40ME	50002	50002APE	UCFX208-40ME-CEC	UCFX208-40ME-OEC
40	A	101,5	52,7	9	63	65	35	UCFQ208-40ME	50002	50002APE	UCFQ208-40ME-CEC	UCFQ208-40ME-OEC	

\* Also available SealMaster® Triathlon® Bearings version, go to: **56072a**

Chains & sprockets	Wear strips	Side guide brackets & accessories	Levelers	Engineering manual
Modular belts & sprockets	Chain & belt return systems	Frame & structure supports	<b>Bearing supports</b>	
Curves & tracks	Side guide solutions	Miscellaneous products	Equipment	



**56072a**

**TRIATHLON® WASHDOWN BEARING - 4 HOLE VERSIONS**

[www.SystemPlastSmartGuide.com](http://www.SystemPlastSmartGuide.com)

**HIGH PERFORMANCE PN GOLD™ MOUNTED BALL BEARING**



For shaft lock with grub screw, go to:  
**56050a**



For shaft lock with eccentric ring, go to:  
**56070a**



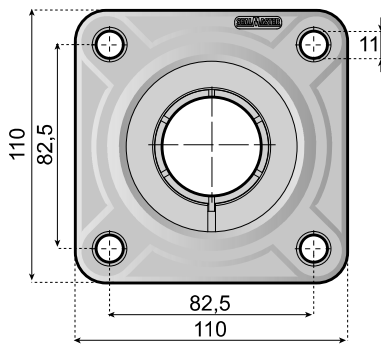
For new Sealmaster® Skwezloc® PN GOLD™ bearings, go to:  
**56074a**

**New**

**SEALMASTER®**



Torx® key T25  
Skwezloc®  
shaft lock



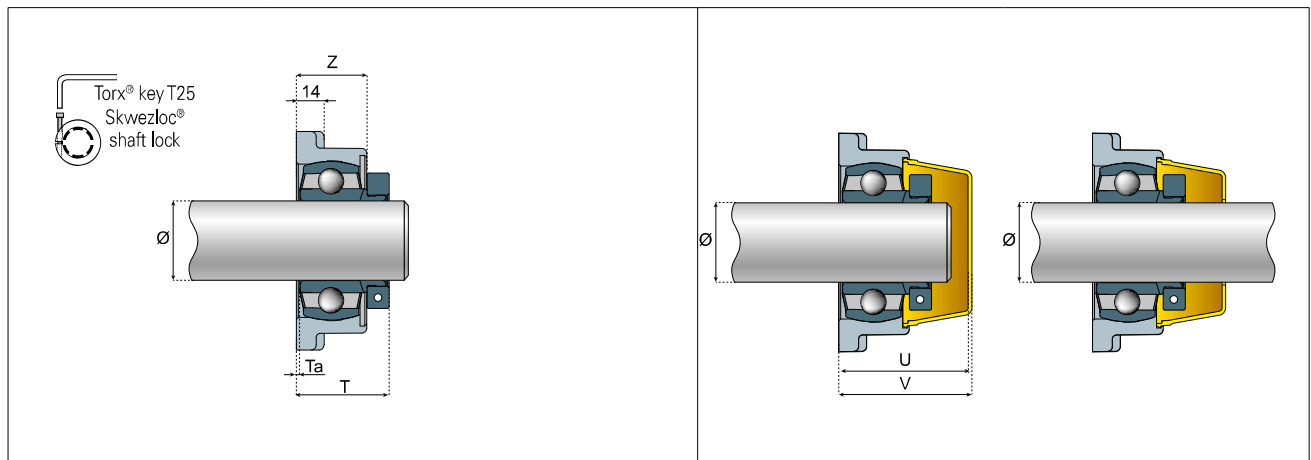
**FEATURES AND BENEFITS**

- High Phosphorous Nickel Plated Bearing Inner & Outer Ring for exceptional corrosion resistance.
- High Performance Triple Lip Seal to minimize contamination ingress and retain lubrication.
- Locking collar centers the shaft in the bearing bore and secures the shaft with near perfect concentricity.
- Reduced Bolt Hole Spacing to replace OEM compact conveyor designs with 30mm and 40mm shaft diameters.
- Durable polyamide housing with corrosion resistant bolt hole spacers.
- Securely fastened snap in end cap to further protect bearing with drain hole to prevent liquid build up inside.
- Lubed for Life design with Tapered Land Outer ring race profile to direct lubrication into the ball path.
- Max. mis-alignment between shaft and housing: 2°

**COMPONENTS**

Housing in reinforced polyamide light grey. High precision self-aligning ball bearings in hardened corrosion resistant steel. Spacers in nickel plated brass. Safety cap in polypropylene (transparent-yellow).

SHAFT Ø	T	Ta	U	V	Z
30	41,2	2	51	53	33
40	46,7	2	67	69	35



**VERSION WITHOUT SAFETY CAP**

**VERSION INCLUDING SAFETY CAP**

SHAFT Ø	ITEM DESCRIPTION	SEPARATE CLOSED SAFETY CAP PART NO.	SEPARATE OPEN SAFETY CAP PART NO.	CLOSED CAP	OPEN CAP
				ITEM DESCRIPTION	
30	UCFQ206-30MT-PNLL-SG	CAP-C7023-IF-YT-SE	CAP7023-B30M-P-YT-SE	UCFQ206-30MT-PNLL-SG-CEC	UCFQ206-30MT-PNLL-SG-OEC
40	UCFQXX208-40MT-PNLL-SG	CAP-C8437-IF-YT-SE	CAP8437-B40M-P-YT-SE	UCFQXX208-40MT-PNLL-SG-CEC	UCFQXX208-40MT-PNLL-SG-OEC

Chains & sprockets	Wear strips	Side guide brackets & accessories	Levelers	Engineering manual
Modular belts & sprockets	Chain & belt return systems	Frame & structure supports	<b>Bearing supports</b>	
Curves & tracks	Side guide solutions	Miscellaneous products	Equipment	

**SYSTEM PLAST®**

**Smart Guide**

**56074a**

[www.SystemPlastSmartGuide.com](http://www.SystemPlastSmartGuide.com)

**PN GOLD™ BEARING - 4 HOLE VERSIONS**

**HIGH PERFORMANCE PN GOLD™ MOUNTED BALL BEARING**



For shaft lock with grub screw, go to:

**56050a**



For shaft lock with eccentric ring, go to:

**56070a**



For new Sealmaster® Skwezloc® bearings, go to:

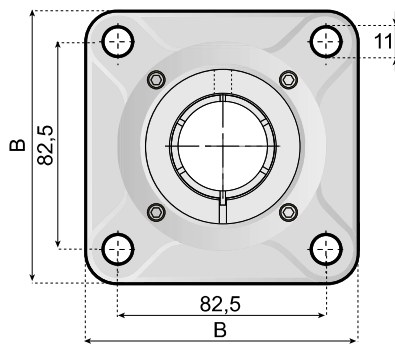
**56074a**

**New**

**SEALMASTER®**



Torx® key T25  
Skwezloc® PN GOLD™  
shaft lock



**FEATURES AND BENEFITS**

Sealmaster PN GOLD™ mounted bearings feature high phosphorus, electroless nickel coated steel insert with patented seal technology available in either setscrew or SKWEZLOC® concentric locking collar, 316 stainless casting and high strength housing configurations. The high performance triple lip seal is the latest innovation of over 10 patents on sealing technology. The combination of stainless flingers and FKM lip materials provide a strong contaminant resistance and GoldPlex® FG (USDA H1) food grade grease loss. Specially engineered for industries with corrosive wash down environments such as food and beverage, pharmaceuticals and chemical processing. PN GOLD mounted ball bearings provide outstanding performance in demanding corrosive environments.

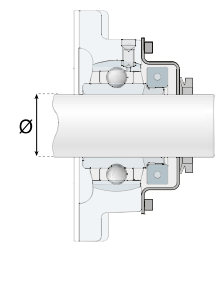
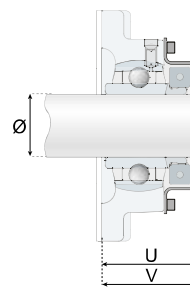
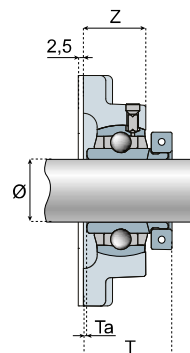
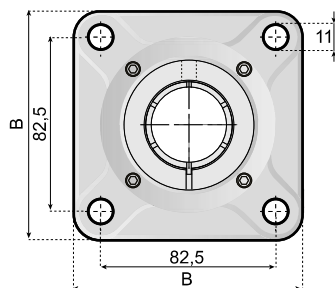
**COMPONENTS**

- Bearing Housing Material: 316 Passivated stainless steel
- Bearing Insert Material: High phosphorus electroless nickel coated steel
- Seal Material: High performance triple lip seal
- Self Alignment: +/- 2°
- Lock Type: Skwezloc concentric locking collar
- Temperature: -29° to 104° C (-20° to 220° F)
- Grease: Sealmaster GoldPlex-FG
- End cap in stainless steel (bolts included) - must be ordered separately

SHAFT Ø	T	Ta	U	V	Z	B
30	39,6	1,6	45,3	46,5	29	108
40	44,4	1,6	53,2	54,4	32,3	111



Torx® key T25  
Skwezloc®  
PN GOLD™  
shaft lock



**VERSION WITHOUT SAFETY CAP**

SHAFT Ø	ITEM DESCRIPTION	SEPARATE CLOSED SAFETY CAP PART NO.	SEPARATE OPEN SAFETY CAP PART NO.
30	CRBFS-PN206T-RMW	BEC-19	BEO-19
40	CRBFRS-PN208T-RMW	BEC-24	BEO-24

TORX is believed to be the trademark and/or trade name of Acument Intellectual Properties, LLC, and is not owned or controlled by Regal Beloit Corporation.

Revision 001

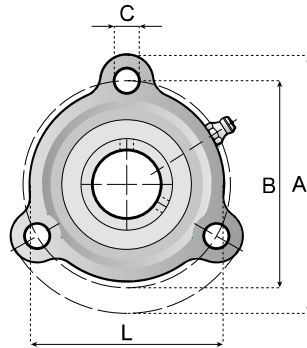


Chains & sprockets	Wear strips	Side guide brackets & accessories	Levelers	Engineering manual
Modular belts & sprockets	Chain & belt return systems	Frame & structure supports	<b>Bearing supports</b>	
Curves & tracks	Side guide solutions	Miscellaneous products	Equipment	

**56080a**

**FLANGED BEARING UCFCG/UCFCG-R**

[www.SystemPlastSmartGuide.com](http://www.SystemPlastSmartGuide.com)



**TECHNICAL INFORMATION**

- Good resistance against many corrosive chemicals such as water, oils, greases, petrol, milk, wine, alcoholic beverages.
- Available in chrome steel and stainless steel bearings, (suitable for food, beverage and pharmaceutical industry).
- Housings also available as complete sealed units for improved protection (wash down resistant version).
- Max. mis-alignment between shaft and housing: 2.5°

**VERSION WITH GRUB SCREWS**

Grub screws

STANDARD VERSION				WASH DOWN RESISTANT VERSION											
BEARINGS		SEPARATE CLOSED SAFETY CAP PART NO.	SEPARATE OPEN SAFETY CAP PART NO.	BEARINGS CHROME STEEL		SEPARATE CLOSED SAFETY CAP PART NO.	SEPARATE OPEN SAFETY CAP PART NO.								
CHROME STEEL	STAINLESS STEEL			CLOSED CAP	OPEN CAP										
SHAFT Ø	A	B	C	L	T	Ta	U	V	Z	ITEM DESCRIPTION	ITEM DESCRIPTION				
25	95,5	76,2	8,5	71	33	6	48	50	25	UCFCG205-25M	UCFCG205-25M-SS	50009	50009APE	UCFCG205-25M-CEC	UCFCG205-25M-OEC
30	113	91	11	84,1	35,5	5,5	54	56	27	UCFCG206-30M	UCFCG206-30M-SS	50027	50027APE	UCFCG206-30M-CEC	UCFCG206-30M-OEC
35	126,5	101,5	11	93,7	41,5	9,5	60	62	33	UCFCG207-35M	UCFCG207-35M-SS	50010	50010APE	UCFCG207-35M-CEC	UCFCG207-35M-OEC

**VERSION WITH ECCENTRIC RING**

Eccentric ring

STANDARD VERSION				WASH DOWN RESISTANT VERSION											
BEARINGS CHROME STEEL		SEPARATE CLOSED SAFETY CAP PART NO.	SEPARATE OPEN SAFETY CAP PART NO.	BEARINGS CHROME STEEL		SEPARATE CLOSED SAFETY CAP PART NO.	SEPARATE OPEN SAFETY CAP PART NO.								
CLOSED CAP	OPEN CAP			CLOSED CAP	OPEN CAP										
SHAFT Ø	A	B	C	L	T	Ta	U	V	Z	ITEM DESCRIPTION	ITEM DESCRIPTION				
25	95,5	76,2	8,5	71	36,9	6	48	50	25	UCFCG205-25ME	UCFCG205-25ME-SS	50009	50009APE	UCFCG205-25ME-CEC	UCFCG205-25ME-OEC
30	113	91	11	84,1	41,2	5,5	54	56	27	UCFCG206-30ME	UCFCG206-30ME-SS	50027	50027APE	UCFCG206-30ME-CEC	UCFCG206-30ME-OEC
35	126,5	101,5	11	93,7	48,4	9,5	60	62	33	UCFCG207-35ME	UCFCG207-35ME-SS	50010	50010APE	UCFCG207-35ME-CEC	UCFCG207-35ME-OEC

**COMPONENTS**

Housing in reinforced polyamide. Seals in NBR rubber. High precision self-aligning ball bearings in chrome- or stainless steel, pre-lubricated. Grease nipples and spacers from nickel plated brass. Washers (where used) in AISI 304 (DIN 1.4301). Safety cap in polypropylene. (When fitted with a stainless steel bearing, the grease nipple is in stainless steel).

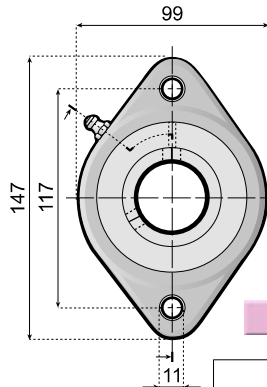
Chains & sprockets	Wear strips	Side guide brackets & accessories	Levelers	Engineering manual
Modular belts & sprockets	Chain & belt return systems	Frame & structure supports	<b>Bearing supports</b>	
Curves & tracks	Side guide solutions	Miscellaneous products	Equipment	



**56090a**

**STAINLESS STEEL FLANGED BEARING CL / CLR**

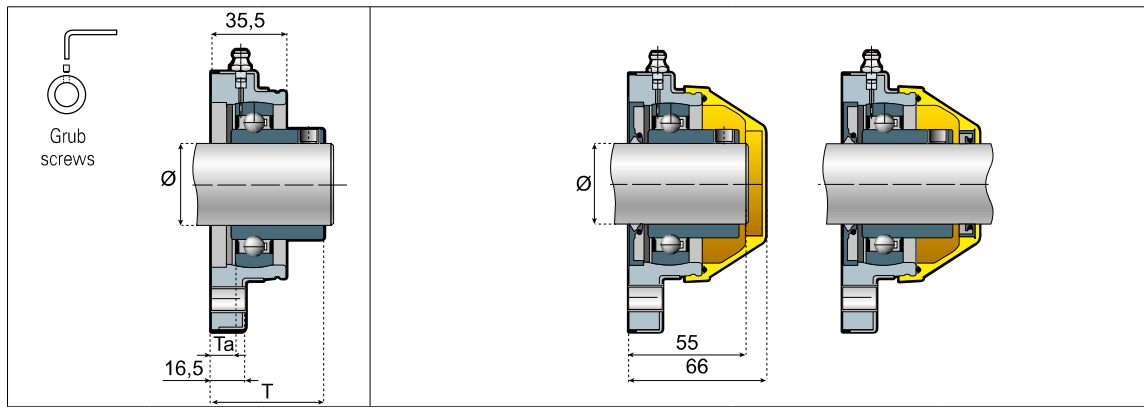
[www.SystemPlastSmartGuide.com](http://www.SystemPlastSmartGuide.com)



**TECHNICAL INFORMATION**

- Housing reinforced and protected with polished stainless steel cover.
- Solid polyamide housing for ultimate strength; no trap for contaminants.
- Good resistance to highly corrosive chemicals such as acid, organic liquids, detergents.
- High load capacity.

**VERSION WITH GRUB SCREWS**

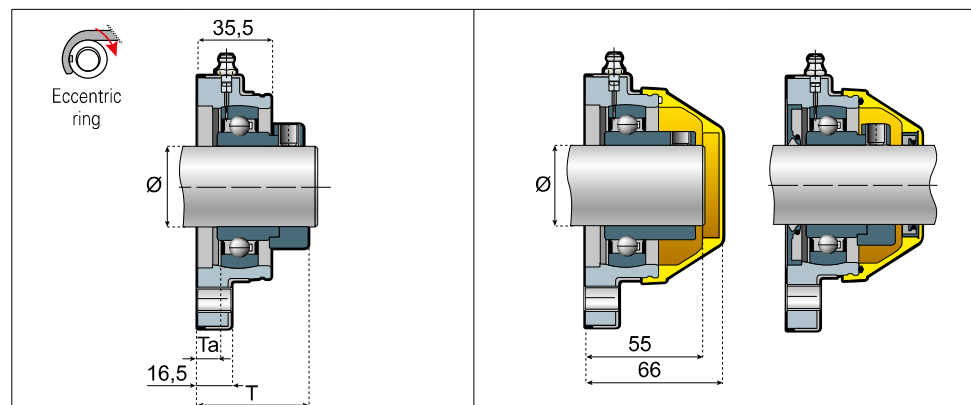


**STANDARD VERSIONS**

**WASH DOWN RESISTANT VERSION**

SHAFT Ø	T	Ta	BEARINGS CHROME STEEL	SEPARATE CLOSED SAFETY CAP PART NO.	SEPARATE OPEN SAFETY CAP PART NO.	BEARINGS CHROME STEEL		BEARINGS STAINLESS STEEL	
						CLOSED CAP	OPEN CAP	CLOSED CAP	OPEN CAP
			ITEM DESCRIPTION			ITEM DESCRIPTION		ITEM DESCRIPTION	
30	43	13	CL206-30M	50002	50002APE	CL206-30M-CEC	CL206-30M-OEC	CL206-30M-SS-CEC	CL206-30M-SS-OEC
35	52,5	11	CLX207-35M	50002	50002APE	CLX207-35M-CEC	CLX207-35M-OEC	CLX207-35M-SS-CEC	CLX207-35M-SS-OEC
40	43,3	9,3	CLXX208-40M	50002	50002APE	CLXX208-40M-CEC	CLXX208-40M-OEC	CLXX208-40M-SS-CEC	CLXX208-40M-SS-OEC

**VERSION WITH ECCENTRIC RING**



**STANDARD VERSIONS**

**WASH DOWN RESISTANT VERSION**

SHAFT Ø	T	Ta	BEARINGS CHROME STEEL	SEPARATE CLOSED SAFETY CAP PART NO.	SEPARATE OPEN SAFETY CAP PART NO.	BEARINGS CHROME STEEL	
						CLOSED CAP	OPEN CAP
			ITEM DESCRIPTION			ITEM DESCRIPTION	
30	48,7	13	CL206-30ME	50002	50002APE	CL206-30ME-CEC	CL206-30ME-OEC
35	49,4	10,5	CLX207-35ME	50002	50002APE	CLX207-35ME-CEC	CLX207-35ME-OEC
40	53	9,25	CLXX208-40ME	50002	50002APE	CLXX208-40ME-CEC	CLXX208-40ME-OEC

**COMPONENTS**

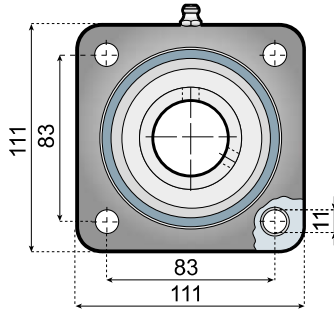
Housing in reinforced polyamide. Cover housing in stainless steel AISI 304-DIN 1.4301. Seals in NBR rubber. Self aligning ball bearing in chrome or stainless steel, pre-lubricated. Nickel plated brass ball-type grease nipple. Spacers from nickel plated brass. Safety cap in polypropylene.

Chains & sprockets	Wear strips	Side guide brackets & accessories	Levelers	Engineering manual
Modular belts & sprockets	Chain & belt return systems	Frame & structure supports	<b>Bearing supports</b>	
Curves & tracks	Side guide solutions	Miscellaneous products	Equipment	

**56100a**

**FLANGED BEARING CS / CSR**

[www.SystemPlastSmartGuide.com](http://www.SystemPlastSmartGuide.com)

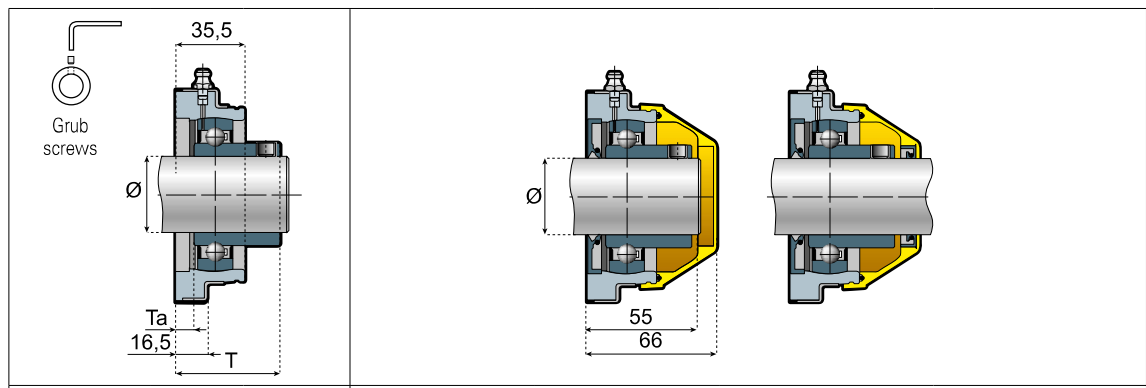


**TECHNICAL INFORMATION**

- Housing reinforced and protected with polished stainless steel cover.
- Solid polyamide housing for ultimate strength; no trap for contaminants.
- Good resistance to highly corrosive chemicals such as acid, organic liquids, detergents.
- High load capacity.



**VERSION WITH GRUB SCREWS**

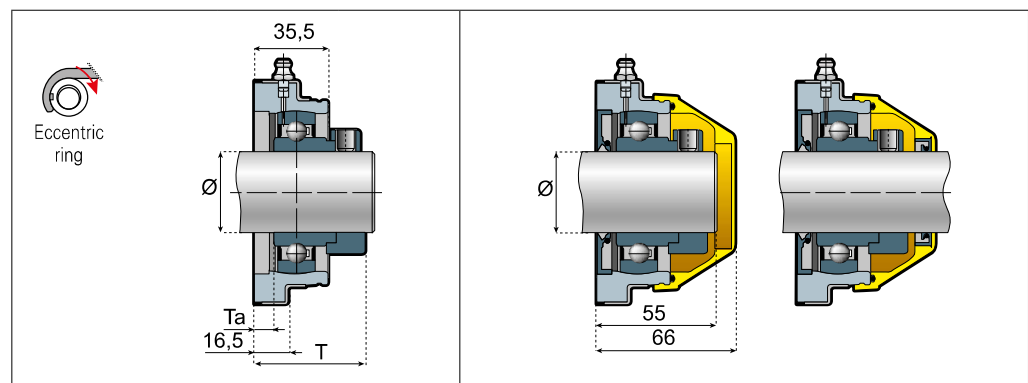


**STANDARD VERSION**

**WASH DOWN RESISTANT VERSION**

SHAFT Ø	T	Ta	BEARINGS CHROME STEEL ITEM DESCRIPTION	SEPARATE CLOSED SAFETY CAP PART NO.	SEPARATE OPEN SAFETY CAP PART NO.	BEARINGS CHROME STEEL		BEARINGS STAINLESS STEEL	
						CLOSED CAP	OPEN CAP	CLOSED CAP	OPEN CAP
						ITEM DESCRIPTION		ITEM DESCRIPTION	
30	43	13	CS206-30M	50002	50002APE	CS206-30M-CEC	CS206-30M-OEC	CS206-30M-SS-CEC	CS206-30M-SS-OEC
35	52,5	11	CSX207-35M	50002	50002APE	CSX207-35M-CEC	CSX207-35M-OEC	CSX207-35M-SS-CEC	CSX207-35M-SS-OEC
40	43,3	9,3	CSXX208-40M	50002	50002APE	CSXX208-40M-CEC	CSXX208-40M-OEC	CSXX208-40M-SS-CEC	CSXX208-40M-SS-OEC

**VERSION WITH ECCENTRIC RING**



**STANDARD VERSION**

**WASH DOWN RESISTANT VERSION**

**COMPONENTS**

Housing in reinforced polyamide. Cover housing in stainless steel AISI 304-DIN 1.4301. Seals in NBR rubber. Self aligning ball bearing in chrome or stainless steel, pre-lubricated. Nickel plated brass ball-type grease nipple. Spacers from nickel plated brass. Safety cap in polypropylene.

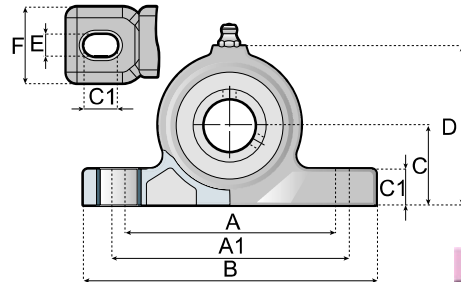
SHAFT Ø	T	Ta	BEARINGS CHROME STEEL ITEM DESCRIPTION	SEPARATE CLOSED SAFETY CAP PART NO.	SEPARATE OPEN SAFETY CAP PART NO.	BEARINGS CHROME STEEL	
						CLOSED CAP	OPEN CAP
						ITEM DESCRIPTION	
30	48,7	13	CS206-30ME	50002	50002APE	CS206-30ME-CEC	CS206-30ME-OEC
35	49,4	10,5	CSX207-35ME	50002	50002APE	CSX207-35ME-CEC	CSX207-35ME-OEC
40	52,95	9,25	CSXX208-40ME	50002	50002APE	CSXX208-40ME-CEC	CSXX208-40ME-OEC
40	44,7	1	CSCXX208-40ME	50002	50002APE	-	-

Chains & sprockets	Wear strips	Side guide brackets & accessories	Levelers	Engineering manual
Modular belts & sprockets	Chain & belt return systems	Frame & structure supports	Bearing supports	
Curves & tracks	Side guide solutions	Miscellaneous products	Equipment	

**56110a**

**PILLOW BLOCK BEARING UCP**

[www.SystemPlastSmartGuide.com](http://www.SystemPlastSmartGuide.com)



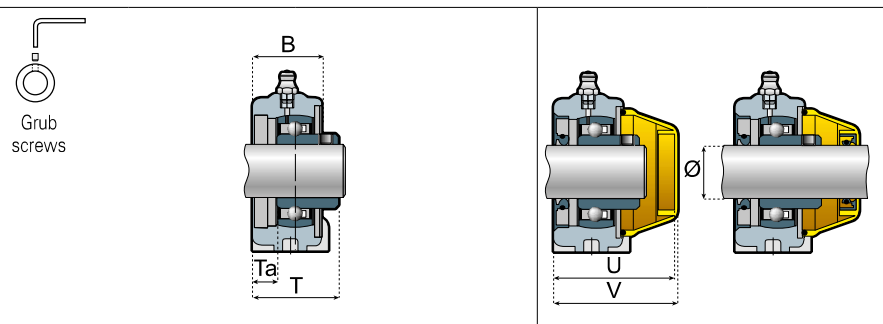
A	A1	B	C	C1	D	E	E1	F	WEIGHT KG(IND.)
91	103	127	33,3	16	67	11	17	31	0,33
97	109	135	36,5	16	72,5	11	17	35	0,42
111	129	156	42,9	21,5	87	13	22	41	0,55
117	135	164	47,6	21,5	95	13	22	45	0,78
129	147	179	49,2	21,5	100	13	22	48	0,97



**VERSION WITH GRUB SCREWS**

**TECHNICAL INFORMATION**

- Good resistance against many corrosive. Chemicals such as water, oils, greases, petrol, milk, wine, alcoholic beverages.
- Available in chrome steel and stainless steel bearings, (suitable for food, beverage and pharmaceutical industry).
- Housings also available as complete sealed units for improved protection (wash down resistant version).
- Max. mis-alignment between shaft and housing: 2,5°



**STANDARD VERSION**

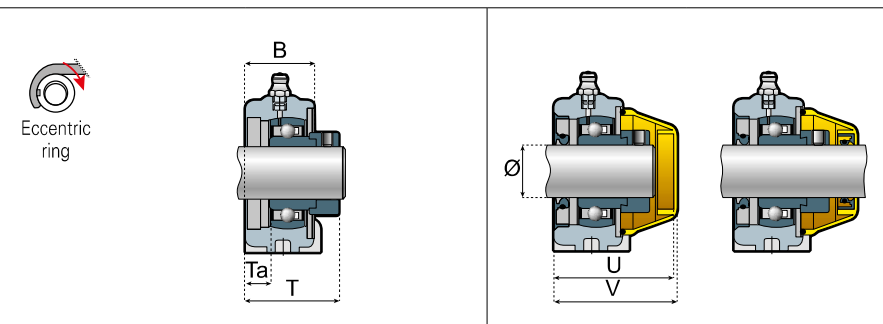
**WASH DOWN RESISTANT VERSION**

SHAFT Ø	A	T	Ta	U	V	BEARINGS		SEPARATE CLOSED SAFETY CAP PART NO.	SEPARATE OPEN SAFETY CAP PART NO.	BEARINGS CHROME STEEL	
						CHROME STEEL	STAINLESS STEEL			CLOSED CAP	OPEN CAP
ITEM DESCRIPTION						ITEM DESCRIPTION					
20	91	36	11	50,5	52,5	UCP204-20M	UCP204-20M-SS	50013	50013APE	UCP204-20M-CEC	UCP204-20M-OEC
25	97	39,5	12,5	55	57	UCP205-25M	UCP205-25M-SS	50009	50009APE	UCP205-25M-CEC	UCP205-25M-OEC
30	111	46	16	65	67	UCP206-30M	UCP206-30M-SS	50010	50010APE	UCP206-30M-CEC	UCP206-30M-OEC
35	117	49	17	67	69	UCP207-35M	UCP207-35M-SS	50010	50010APE	UCP207-35M-CEC	UCP207-35M-OEC
40	129	45	11	63	65	UCP208-40M	UCP208-40M-SS	50014	50014APE	UCP208-40M-CEC	UCP208-40M-OEC

**VERSION WITH ECCENTRIC RING**

**COMPONENTS**

Housing in reinforced polyamide. Seals in NBR rubber. High precision self-aligning ball bearings in chrome- or stainless steel, pre-lubricated. Grease nipples and spacers from nickel plated brass. Washers (where used) in AISI 304 (DIN 1.4301). Safety cap in polypropylene. (When fitted with a stainless steel bearing, the grease nipple is in stainless steel).



**STANDARD VERSION**

**WASH DOWN RESISTANT VERSION**

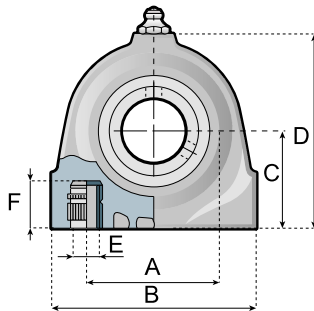
SHAFT Ø	A	T	Ta	U	V	BEARINGS		SEPARATE CLOSED SAFETY CAP PART NO.	SEPARATE OPEN SAFETY CAP PART NO.	BEARINGS CHROME STEEL	
						CHROME STEEL	STAINLESS STEEL			CLOSED CAP	OPEN CAP
ITEM DESCRIPTION						ITEM DESCRIPTION					
20	91	41,9	11	50,5	52,5	UCP204-20ME		50013	50013APE	UCP204-20ME-CEC	UCP204-20ME-OEC
25	97	43,4	12,5	55	57	UCP205-25ME		50009	50009APE	UCP205-25ME-CEC	UCP205-25ME-OEC
30	111	51,7	16	65	67	UCP206-30ME		50010	50010APE	UCP206-30ME-CEC	UCP206-30ME-OEC
35	117	55,9	17	67	69	UCP207-35ME		50010	50010APE	UCP207-35ME-CEC	UCP207-35ME-OEC
40	129	54,7	11	63	65	UCP208-40ME		50014	50014APE	UCP208-40ME-CEC	UCP208-40ME-OEC

Chains & sprockets	Wear strips	Side guide brackets & accessories	Levelers	Engineering manual
Modular belts & sprockets	Chain & belt return systems	Frame & structure supports	<b>Bearing supports</b>	
Curves & tracks	Side guide solutions	Miscellaneous products	Equipment	

**56120a**

**PILLOW BLOCK BEARING UCPA / UCPA-R**

[www.SystemPlastSmartGuide.com](http://www.SystemPlastSmartGuide.com)



A	B	C	D	E	F	WEIGHT KG(IND.)
50,8	70	33,3	65	M8	16	0,30
50,8	75	36,5	72	M10	16	0,37
76,2	98	42,9	85	M10	24	0,50

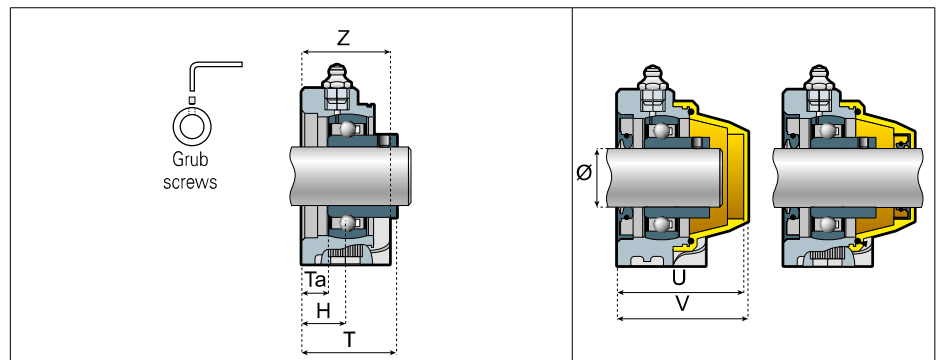


**TECHNICAL INFORMATION**

- Good resistance against many corrosive chemicals such as water, oils, greases, petrol, milk, wine, alcoholic beverages.
- Available in chrome steel, and stainless steel bearings, (suitable for food, beverage and pharmaceutical industry).
- Housings also available as complete sealed units for improved protection (wash down resistant version).
- Max. mis-alignment between shaft and housing: 2.5°

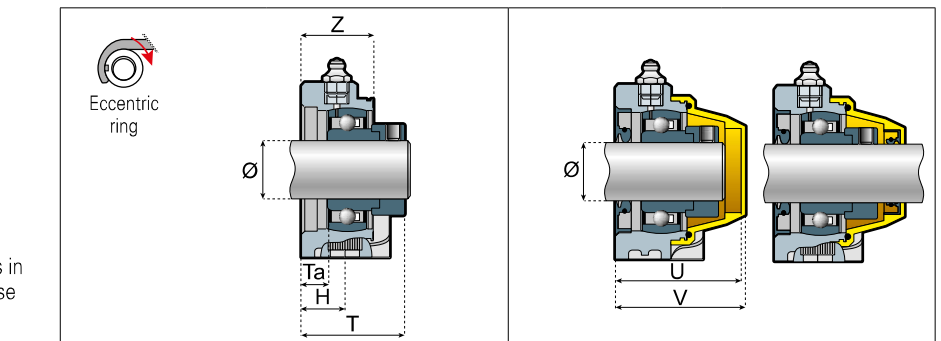
SHAFT Ø	A	H	T	Ta	U	V	Z	ITEM DESCRIPTION		SEPARATE CLOSED SAFETY CAP PART NO.	SEPARATE OPEN SAFETY CAP PART NO.	ITEM DESCRIPTION	
								UCPA204-20M	UCPA204-20M-SS			UCPA204-20M-CEC	UCPA204-20M-OEC
20	50,8	16	35,5	10,5	49	51	32	UCPA204-20M	UCPA204-20M-SS	50008	50008APE	UCPA204-20M-CEC	UCPA204-20M-OEC
25	50,8	18	39	12	54	56	36	UCPA205-25M	UCPA205-25M-SS	50007	50007APE	UCPA205-25M-CEC	UCPA205-25M-OEC
30	76,2	20	42	12	59	61	40	UCPA206-30M	UCPA206-30M-SS	50003A	50003AAPE	UCPA206-30M-CEC	UCPA206-30M-OEC

**VERSION WITH GRUB SCREWS**



STANDARD VERSION				WASH DOWN RESISTANT VERSION			
BEARINGS		SEPARATE CLOSED SAFETY CAP PART NO.	SEPARATE OPEN SAFETY CAP PART NO.	BEARINGS CHROME STEEL		SEPARATE CLOSED SAFETY CAP PART NO.	SEPARATE OPEN SAFETY CAP PART NO.
CHROME STEEL	STAINLESS STEEL			CLOSED CAP	OPEN CAP		

**VERSION WITH ECCENTRIC RING**



**COMPONENTS**

Housing in reinforced polyamide. Seals in NBR rubber. High precision self-aligning ball bearings in chrome- or stainless steel, pre-lubricated. Grease nipples and spacers from nickel plated brass. Washers (where used) in AISI 304 (DIN 1.4301). Safety cap in polypropylene. (When fitted with a stainless steel bearing, the grease nipple is in stainless steel).

SHAFT Ø	A	H	T	Ta	U	V	Z	ITEM DESCRIPTION		SEPARATE CLOSED SAFETY CAP PART NO.	SEPARATE OPEN SAFETY CAP PART NO.	ITEM DESCRIPTION	
								UCPA204-20ME	UCPA204-20ME-SS			UCPA204-20ME-CEC	UCPA204-20ME-OEC
20	50,8	16	41,4	10,5	49	51	32	UCPA204-20ME	UCPA204-20ME-SS	50008	50008APE	UCPA204-20ME-CEC	UCPA204-20ME-OEC
25	50,8	18	43,4	12,5	54	56	36	UCPA205-25ME	UCPA205-25ME-SS	50007	50007APE	UCPA205-25ME-CEC	UCPA205-25ME-OEC
30	76,2	20	47,7	12	59	61	40	UCPA206-30ME	UCPA206-30ME-SS	50003A	50003AAPE	UCPA206-30ME-CEC	UCPA206-30ME-OEC

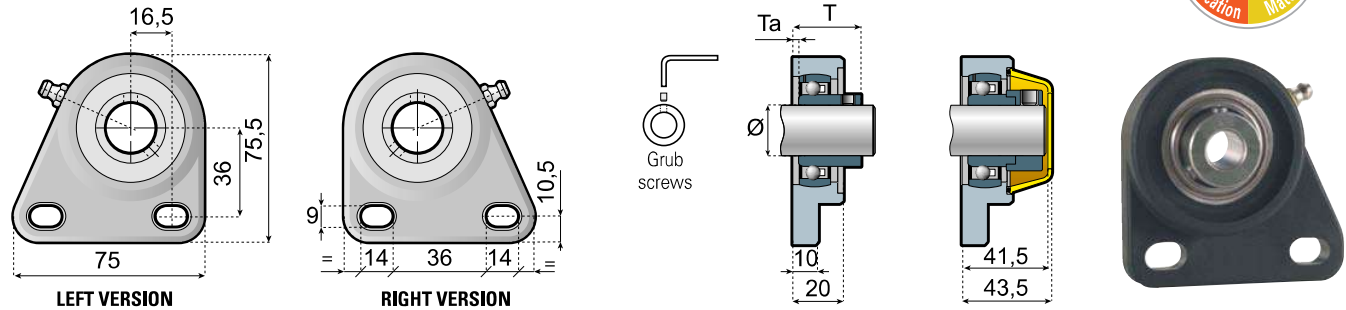


Chains & sprockets	Wear strips	Side guide brackets & accessories	Levelers	Engineering manual
Modular belts & sprockets	Chain & belt return systems	Frame & structure supports	Bearing supports	
Curves & tracks	Side guide solutions	Miscellaneous products	Equipment	

**56130a**

**FLANGED BEARING SQL RIGHT/LEFT**

[www.SystemPlastSmartGuide.com](http://www.SystemPlastSmartGuide.com)



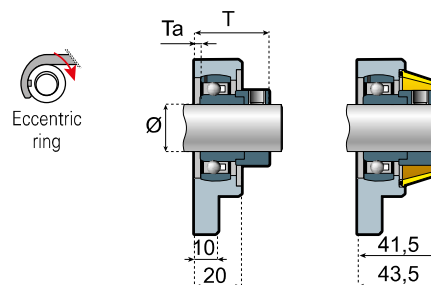
**VERSION WITH GRUB SCREWS**

**TECHNICAL INFORMATION**

- Good resistance against many corrosive chemicals such as water, oils, greases, petrol, milk, wine, alcoholic beverages.
- Available in chrome steel, and stainless steel bearings, (suitable for food, beverage and pharmaceutical industry).
- Housings also available as complete sealed units for improved protection (wash down resistant version).
- Max. mis-alignment between shaft and housing: 2,5°

STANDARD VERSION						
SHAFT Ø	T	Ta	BEARINGS		SEPARATE CLOSED SAFETY CAP PART NO.	SEPARATE OPEN SAFETY CAP PART NO.
			CHROME STEEL	STAINLESS STEEL		
ITEM DESCRIPTION						
<b>LEFT VERSION</b>						
12	26,5	4,5	SQLL201-12M	-	50012	50012APE
15	26,5	4,5	SQLL202-15M	-	50012	50012APE
16	26,5	4,5	SQLL203-16M	-	50012	50012APE
17	26,5	4,5	SQLL203-17M	-	50012	50012APE
20	27	2	SQLL204-20M	SQLL204-20M-SS	50012	50012APE
<b>RIGHT VERSION</b>						
12	26,5	4,5	SQLR201-12M	-	50012	50012APE
15	26,5	4,5	SQLR202-15M	-	50012	50012APE
16	26,5	4,5	SQLR203-16M	-	50012	50012APE
17	26,5	4,5	SQLR203-17M	-	50012	50012APE
20	27	2	SQLR204-20M	SQLR204-20M-SS	50012	50012APE

**VERSION WITH ECCENTRIC RING**



**COMPONENTS**

Housing in reinforced polyamide. Seals in NBR rubber. High precision self-aligning ball bearings in chrome- or stainless steel, pre-lubricated. Grease nipples and spacers from nickel plated brass. Washers (where used) in AISI 304 (DIN 1.4301). Safety cap in polypropylene. (When fitted with a stainless steel bearing, the grease nipple is in stainless steel).

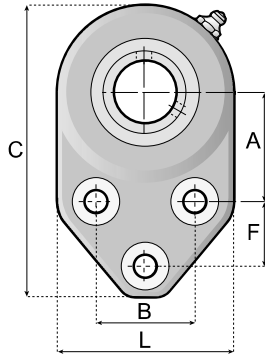
STANDARD VERSION						
SHAFT Ø	T	Ta	BEARINGS CHROME STEEL		SEPARATE CLOSED SAFETY CAP PART NO.	SEPARATE OPEN SAFETY CAP PART NO.
			ITEM DESCRIPTION			
<b>LEFT VERSION</b>						
20	27	2	SQLL204-20ME		50012	50012APE
<b>RIGHT VERSION</b>						
20	27	2	SQLR204-20ME		50012	50012APE

Chains & sprockets	Wear strips	Side guide brackets & accessories	Levelers	Engineering manual
Modular belts & sprockets	Chain & belt return systems	Frame & structure supports	<b>Bearing supports</b>	
Curves & tracks	Side guide solutions	Miscellaneous products	Equipment	

**56140a**

**FLANGED BEARING UCFB**

[www.SystemPlastSmartGuide.com](http://www.SystemPlastSmartGuide.com)

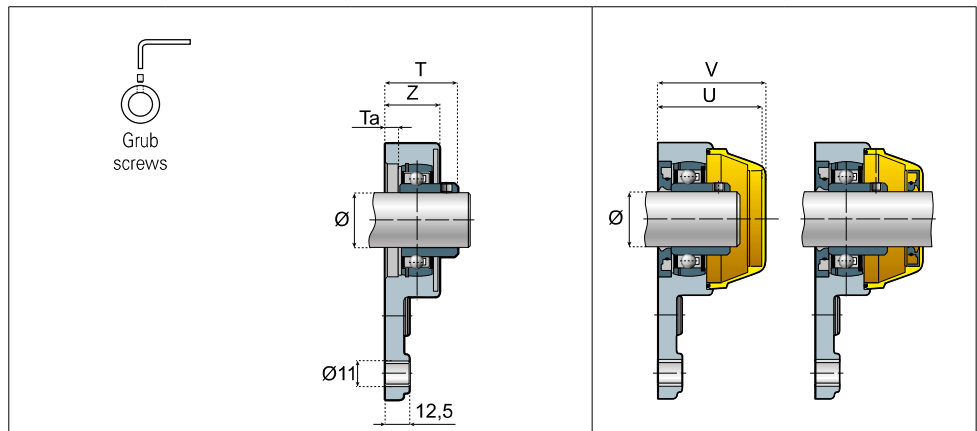


A	B	C	F	L	Z	WEIGHT KG(IND.)
46	41,3	125	28,6	69	27,5	0,43
52,4	47,6	140,5	31,7	84	29,5	0,52

**TECHNICAL INFORMATION**

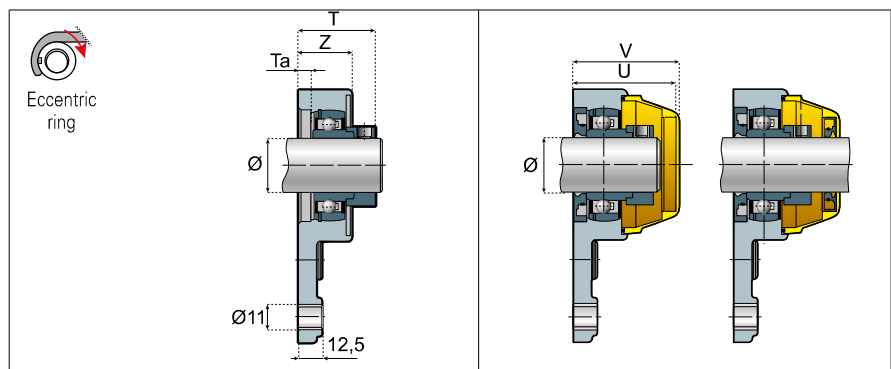
- Good resistance against many corrosive chemicals such as water, oils, greases, petrol, milk, wine, alcoholic beverages.
- Available in chrome steel and stainless steel bearings, (suitable for food, beverage and pharmaceutical industry).
- Housings also available as completesealed units for improved protection (wash down resistant version).
- Max. mis-alignment between shaft and housing: 2.5°

**VERSION WITH GRUB SCREWS**



STANDARD VERSION				WASH DOWN RESISTANT VERSION							
BEARINGS		SEPARATE CLOSED SAFETY CAP PART NO.	SEPARATE OPEN SAFETY CAP PART NO.	BEARINGS CHROME STEEL		SEPARATE CLOSED SAFETY CAP PART NO.	SEPARATE OPEN SAFETY CAP PART NO.				
CHROME STEEL	STAINLESS STEEL			CLOSED CAP	OPEN CAP						
SHAFT Ø	A	T	Ta	U	V	ITEM DESCRIPTION					
20	46	35	10	49,5	51,5	UCFBZ204-20M	UCFBZ204-20M-SS	50013	50013APE	UCFBZ204-20M-CEC	UCFBZ204-20M-OEC
25		35,5	8,5	52,5	54,5	UCFB205-25M	UCFB205-25M-SS	50009	50009APE	UCFB205-25M-CEC	UCFB205-25M-OEC
25	52,4	37,5	10,5	56,5	58,5	UCFBZ205-25M	UCFBZ205-25M-SS	50010	50010APE	UCFBZ205-25M-CEC	UCFBZ205-25M-OEC
30		39	9	56,5	58,5	UCFB206-30M	UCFB206-30M-SS			UCFB206-30M-CEC	UCFB206-30M-OEC

**VERSION WITH ECCENTRIC RING**



STANDARD VERSION				WASH DOWN RESISTANT VERSION							
BEARINGS CHROME STEEL		SEPARATE CLOSED SAFETY CAP PART NO.	SEPARATE OPEN SAFETY CAP PART NO.	BEARINGS CHROME STEEL		SEPARATE CLOSED SAFETY CAP PART NO.	SEPARATE OPEN SAFETY CAP PART NO.				
CHROME STEEL	STAINLESS STEEL			CLOSED CAP	OPEN CAP						
SHAFT Ø	A	T	Ta	U	V	ITEM DESCRIPTION					
20	46	40,9	10	49,5	51,5	UCFBZ204-20ME	UCFBZ204-20ME-SS	50013	50013APE	UCFBZ204-20ME-CEC	UCFBZ204-20ME-OEC
25		39,4	8,5	52,5	54,5	UCFB205-25ME	UCFB205-25ME-SS	50009	50009APE	UCFB205-25ME-CEC	UCFB205-25ME-OEC
25	52,4	41,4	10,5	56,5	58,5	UCFBZ205-25ME	UCFBZ205-25ME-SS	50010	50010APE	UCFBZ205-25ME-CEC	UCFBZ205-25ME-OEC
30		44,7	9	56,5	58,5	UCFB206-30ME	UCFB206-30ME-SS			UCFB206-30ME-CEC	UCFB206-30ME-OEC

**COMPONENTS**

Housing in reinforced polyamide. Seals in NBR rubber. High precision self-aligning ball bearings in chrome- or stainless steel, pre-lubricated. Grease nipples and spacers from nickel plated brass. Washers (where used) in AISI 304 (DIN 1.4301). Safety cap in polypropylene. (When fitted with a stainless steel bearing, the grease nipple is in stainless steel).

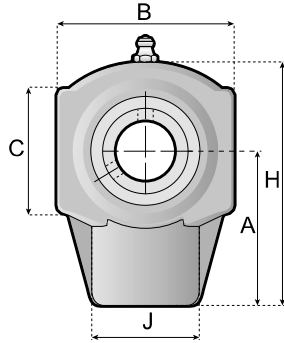
Chains & sprockets	Wear strips	Side guide brackets & accessories	Levelers	Engineering manual
Modular belts & sprockets	Chain & belt return systems	Frame & structure supports	<b>Bearing supports</b>	
Curves & tracks	Side guide solutions	Miscellaneous products	Equipment	



## 56150a

## HANGER BEARING UCHE

[www.SystemPlastSmartGuide.com](http://www.SystemPlastSmartGuide.com)



A	B	C	F	H	J	K	L	Z	WEIGHT KG(IND.)
62	65	50	25	97,5	45	M16	17	34	0,38
62	70	50	25	97,5	45	M20	17	34	0,38
72	85	57	28	118	56	M24	18,5	37	0,5
72	90	57	28	118	56	M24	18,5	37	0,5

### TECHNICAL INFORMATION

- Good resistance against many corrosive chemicals such as water, oils, greases, petrol, milk, wine, alcoholic beverages.
- Available in chrome steel and stainless steel suitable for food, beverage and pharmaceutical industry).
- Housings also available as complete sealed units for improved protection (wash down resistant version).
- Max. mis-alignment between shaft and housing: 2.5°

### VERSION WITH GRUB SCREWS

Grub screws							
STANDARD VERSION				WASH DOWN RESISTANT VERSION			
BEARINGS		SEPARATE CLOSED SAFETY CAP PART NO.	SEPARATE OPEN SAFETY CAP PART NO.	BEARINGS CHROME STEEL			
CHROME STEEL	STAINLESS STEEL			CLOSED CAP	OPEN CAP		
SHAFT Ø	A	T	Ta	U	V	ITEM DESCRIPTION	ITEM DESCRIPTION
20	62	35	10,0	44,5	54,5	UCHEZ204-20M UCHEZ204-20M-SS 50009 50009APE	UCHEZ204-20M-CEC UCHEZ204-20M-OEC
25	62	36,5	9,5	44,5	54,5	UCHE205-25M UCHE205-25M-SS 50009 50009APE	UCHE205-25M-CEC UCHE205-25M-OEC
30	72	40,5	10,5	51,5	61,5	UCHE206-30M UCHE206-30M-SS 50010 50010APE	UCHE206-30M-CEC UCHE206-30M-OEC
35	72	42	10,0	51,5	61,5	UCHEX207-35M UCHEX207-35M-SS 50010 50010APE	UCHEX207-35M-CEC UCHEX207-35M-OEC

### VERSION WITH ECCENTRIC RING

### COMPONENTS

Housing in reinforced polyamide. Seals in NBR rubber. High precision self-aligning ball bearings in chrome- or stainless steel, pre-lubricated. Grease nipples and spacers from nickel plated brass. Washers (where used) in AISI 304 (DIN 1.4301). Safety cap in polypropylene. (When fitted with a stainless steel bearing, the grease nipple is in stainless steel).

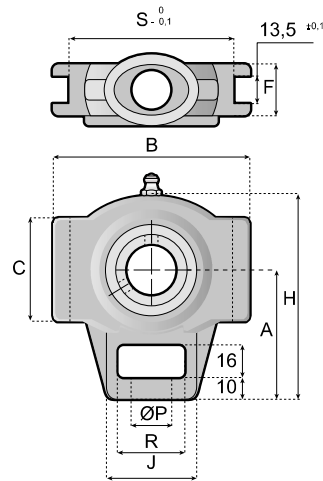
Eccentric ring							
STANDARD VERSION				WASH DOWN RESISTANT VERSION			
BEARINGS CHROME STEEL		SEPARATE CLOSED SAFETY CAP PART NO.	SEPARATE OPEN SAFETY CAP PART NO.	BEARINGS CHROME STEEL			
ITEM DESCRIPTION				CLOSED CAP	OPEN CAP		
SHAFT Ø	A	T	Ta	U	V	ITEM DESCRIPTION	ITEM DESCRIPTION
20	62	40,9	10	44,5	54,5	UCHEZ204-20ME 50009 50009APE	UCHEZ204-20ME-CEC UCHEZ204-20ME-OEC
25	62	40,4	9,5	44,5	54,5	UCHE205-25ME 50009 50009APE	UCHE205-25ME-CEC UCHE205-25ME-OEC
30	72	46,2	10,5	51,5	61,5	UCHE206-30ME 50010 50010APE	UCHE206-30ME-CEC UCHE206-30ME-OEC
35	72	48,9	10	51,5	61,5	UCHEX207-35ME 50010 50010APE	UCHEX207-35ME-CEC UCHEX207-35ME-OEC

Chains & sprockets	Wear strips	Side guide brackets & accessories	Levelers	Engineering manual
Modular belts & sprockets	Chain & belt return systems	Frame & structure supports	<b>Bearing supports</b>	
Curves & tracks	Side guide solutions	Miscellaneous products	Equipment	

**56160a**

**TAKE UP BEARING UCT**

[www.SystemPlastSmartGuide.com](http://www.SystemPlastSmartGuide.com)


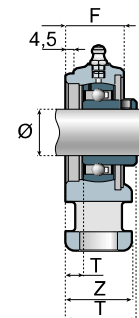
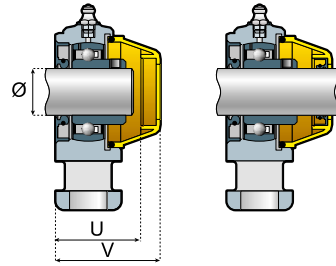


A	B	C	F	H	J	ØP	R	S	Z	WEIGHT KG(IND.)
62	92	50	25	97,5	45	19	32	76	34	0,38
72	104	57	28	118	56	22	37	89	37	0,5

**TECHNICAL INFORMATION**

- Good resistance against many corrosive chemicals such as water, oils, greases, petrol, milk, wine, alcoholic beverages.
- Available in chrome steel and stainless steel (suitable for food, beverage and pharmaceutical industry).
- Housings also available as complete sealed units for improved protection (wash down resistant version).
- Max. misalignment between shaft and housing: 2.5°

**VERSION WITH GRUB SCREWS**


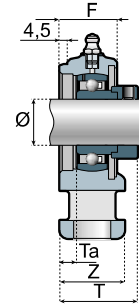
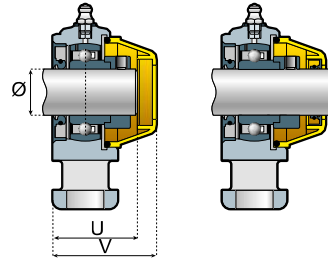




STANDARD VERSION				WASH DOWN RESISTANT VERSION					
BEARINGS		SEPARATE CLOSED SAFETY CAP PART NO.	SEPARATE OPEN SAFETY CAP PART NO.	BEARINGS CHROME STEEL		SEPARATE CLOSED SAFETY CAP PART NO.	SEPARATE OPEN SAFETY CAP PART NO.		
CHROME STEEL	STAINLESS STEEL			CLOSED CAP	OPEN CAP				
ITEM DESCRIPTION				ITEM DESCRIPTION					
20	62	35	5,0	44,5	54,5	50009	50009APE	UCTZ204-20M-CEC	UCTZ204-20M-OEC
25		36,5	11,3	44,5	54,5			UCT205-25M-CEC	UCT205-25M-OEC
30	72	40,5	6,5	51,5	61,5	50010	50010APE	UCT206-30M-CEC	UCT206-30M-OEC
35		42	13,7	51,5	61,5			UCTX207-35M-CEC	UCTX207-35M-OEC

**VERSION WITH ECCENTRIC RING**

**COMPONENTS**

Housing in reinforced polyamide. Seals in NBR rubber. High precision self-aligning ball bearings in chrome- or stainless steel, pre-lubricated. Grease nipples and spacers from nickel plated brass. Washers (where used) in AISI 304 (DIN 1.4301). Safety cap in polypropylene. (When fitted with a stainless steel bearing, the grease nipple is in stainless steel).

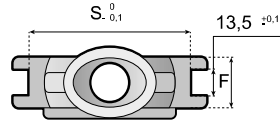
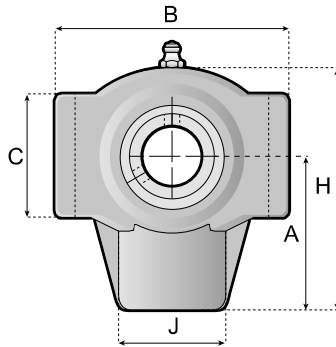
STANDARD VERSION				WASH DOWN RESISTANT VERSION					
BEARINGS CHROME STEEL		SEPARATE CLOSED SAFETY CAP PART NO.	SEPARATE OPEN SAFETY CAP PART NO.	BEARINGS CHROME STEEL		SEPARATE CLOSED SAFETY CAP PART NO.	SEPARATE OPEN SAFETY CAP PART NO.		
CLOSED CAP	OPEN CAP			CLOSED CAP	OPEN CAP				
ITEM DESCRIPTION				ITEM DESCRIPTION					
20	62	40,9	10	44,5	54,5	50009	50009APE	UCTZ204-20ME-CEC	UCTZ204-20ME-OEC
25		40,4	9,5	44,5	54,5			UCT205-25ME-CEC	UCT205-25ME-OEC
30	72	46,2	10,5	51,5	61,5	50010	50010APE	UCT206-30ME-CEC	UCT206-30ME-OEC
35		48,9	10	51,5	61,5			UCTX207-35ME-CEC	UCTX207-35ME-OEC

Chains & sprockets	Wear strips	Side guide brackets & accessories	Levelers	Engineering manual
Modular belts & sprockets	Chain & belt return systems	Frame & structure supports	<b>Bearing supports</b>	
Curves & tracks	Side guide solutions	Miscellaneous products	Equipment	

**56170a**

**HANGER BEARING UCTT**

[www.SystemPlastSmartGuide.com](http://www.SystemPlastSmartGuide.com)

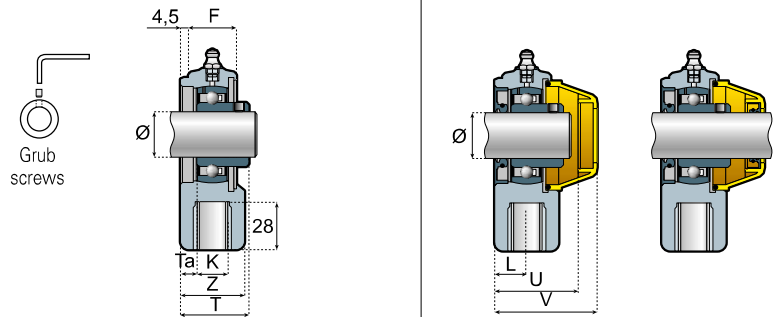


A	B	C	F	H	J	K	L	S	Z	WEIGHT KG(IND.)
62	92	50	25	97,5	45	M20	17	76	34	0,38
72	104	57	28	118	56	M24	18,5	89	37	0,5

**VERSION WITH GRUB SCREWS**

**TECHNICAL INFORMATION**

- Good resistance against many corrosive chemicals such as water, oils, greases, petrol, milk, wine, alcoholic beverages.
- Available in chrome steel and stainless steel (suitable for food, beverage and pharmaceutical industry).
- Housings also available as complete sealed units for improved protection (wash down resistant version).
- Max. mis-alignment between shaft and housing: 2.5°



**STANDARD VERSION**

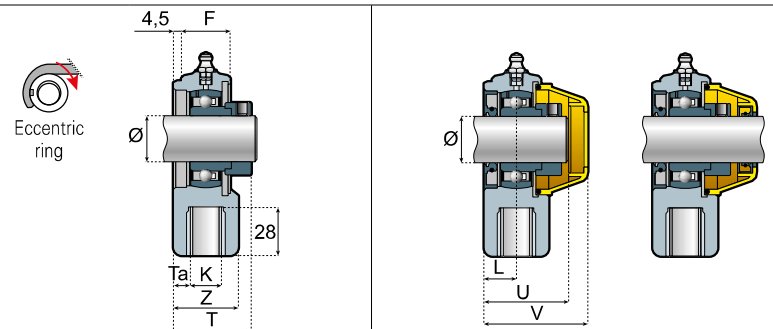
**WASH DOWN RESISTANT VERSION**

SHAFT Ø	A	T	Ta	K	U	V	BEARINGS		SEPARATE CLOSED SAFETY CAP PART NO.	SEPARATE OPEN SAFETY CAP PART NO.	BEARINGS CHROME STEEL	
							CHROME STEEL	STAINLESS STEEL			CLOSED CAP	OPEN CAP
ITEM DESCRIPTION							ITEM DESCRIPTION					
20	62	35	10,0	M16	44,5	54,5	UCTTZ204-20M	UCTTZ204-20M-SS	50009	50009APE	UCTTZ204-20M-CEC	UCTTZ204-20M-OEC
25		36,5	9,5	M20	44,5	54,5	UCTT205-25M	UCTT205-25M-SS			UCTT205-25M-CEC	UCTT205-25M-OEC
30	72	40,5	10,5	M24	51,5	61,5	UCTT206-30M	UCTT206-30M-SS	50010	50010APE	UCTT206-30M-CEC	UCTT206-30M-OEC
35		42	10,0	M24	51,5	61,5	UCTTX207-35M	UCTTX207-35M-SS			UCTTX207-35M-CEC	UCTTX207-35M-OEC

**VERSION WITH ECCENTRIC RING**

**COMPONENTS**

Housing in reinforced polyamide. Seals in NBR rubber. High precision self-aligning ball bearings in chrome- or stainless steel, pre-lubricated. Grease nipples and spacers from nickel plated brass. Washers (where used) in AISI 304 (DIN 1.4301). Safety cap in polypropylene. (When fitted with a stainless steel bearing, the grease nipple is in stainless steel).



**STANDARD VERSION**

**WASH DOWN RESISTANT VERSION**

SHAFT Ø	A	T	Ta	K	U	V	BEARINGS CHROME STEEL		SEPARATE CLOSED SAFETY CAP PART NO.	SEPARATE OPEN SAFETY CAP PART NO.	BEARINGS CHROME STEEL	
							CHROME STEEL	STAINLESS STEEL			CLOSED CAP	OPEN CAP
ITEM DESCRIPTION							ITEM DESCRIPTION					
20	62	40,9	10	M16	44,5	54,5	UCTTZ204-20ME		50009	50009APE	UCTTZ204-20ME-CEC	UCTTZ204-20ME-OEC
25		40,4	9,5	M20	44,5	54,5	UCTT205-25ME				UCTT205-25ME-CEC	UCTT205-25ME-OEC
30	72	46,2	10,5	M24	51,5	61,5	UCTT206-30ME		50010	50010APE	UCTT206-30ME-CEC	UCTT206-30ME-OEC
35		48,9	10	M24	51,5	61,5	UCTTX207-35ME				UCTTX207-35ME-CEC	UCTTX207-35ME-OEC

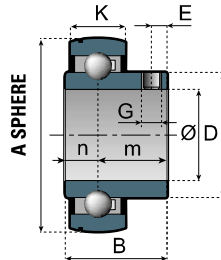


Chains & sprockets	Wear strips	Side guide brackets & accessories	Levelers	Engineering manual
Modular belts & sprockets	Chain & belt return systems	Frame & structure supports	Bearing supports	
Curves & tracks	Side guide solutions	Miscellaneous products	Equipment	

**56300a**

**BALL BEARINGS**

[www.SystemPlastSmartGuide.com](http://www.SystemPlastSmartGuide.com)

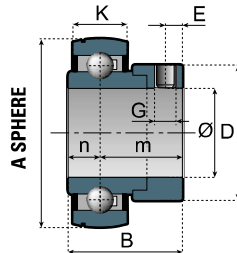


**MATERIAL**

- Rings and balls in chrome steel.
- Grub screws and protection rings are in steel.
- Seals in metal with vulcanised NBR rubber.

**STANDARD VERSION WITH GRUB SCREWS**

Ø D mm	PART NUMBER	DIMENSION (mm)								BEARING LOAD RATINGS		WEIGHT (KG)
		A	B	K	D	E	G	M	N	DYNAMIC C (N)	STATIC CO (N)	
12	UC201	40	22	12	24,6	4	M5	16	6	7300	4760	0,15
15	UC202	40	22	12	24,6	4	M5	16	6	7300	4760	0,15
16	UC203-16MM	40	22	12	24,6	4	M5	16	6	7300	4760	0,15
17	UC203	40	22	12	24,6	4	M5	16	6	7300	4760	0,15
20	UC204	47	25	14	29	5	M6	18	7	9850	6580	0,18
25	UC205	52	27	15	34	5,5	M6	19,5	7,5	10800	7800	0,22
30	UC206	62	30	16	40,3	6	M6	22	8	15000	11300	0,40
35	UC207	72	32	17	48	6,5	M8	23,5	8,5	19700	15300	0,45
40	UC208	80	34	18	53	7	M8	25	9	22400	17900	0,62

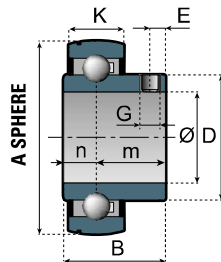


**MATERIAL**

- Rings and balls in chrome steel.
- Grub screws and protection rings are in steel.
- Seals in metal with vulcanised NBR rubber.

**STANDARD VERSION WITH ECCENTRIC LOCK RING**

Ø D mm	PART NUMBER	DIMENSION (mm)								BEARING LOAD RATINGS		WEIGHT (KG)
		A	B	K	D	E	G	M	N	DYNAMIC C (N)	STATIC CO (N)	
20	UEC204	47	31	14	33,3	5	M6	23,5	7,5	9850	6580	0,25
25	UEC205	52	31	15	38,1	5	M6	23,5	7,5	10800	7800	0,30
30	UEC206	62	35,7	16	44,5	6	M6	26,7	9	15000	11300	0,48
35	UEC207	72	38,9	17	55,6	6,5	M8	29,4	9,5	19700	15300	0,53
40	UEC208	80	43,7	18	60,3	6,5	M8	32,7	11	22400	17900	0,70



**MATERIAL**

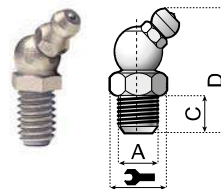
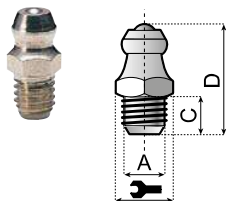
- Rings and balls in stainless steel with Cr+Mo to increase corrosion resistance.
- Grub screws and protection rings are in stainless steel.
- Seals in stainless steel with vulcanized silicon rubber.

**STAINLESS STEEL VERSION WITH GRUB SCREWS**

Ø D mm	PART NUMBER	DIMENSION (mm)								BEARING LOAD RATINGS		WEIGHT (KG)
		A	B	K	D	E	G	M	N	DYNAMIC C (N)	STATIC CO (N)	
20	UCSS204	47	25,7	14	29	5	M6	18,7	7	7300	4900	0,18
25	UCSS205	52	27	15	34	5,5	M6	19,5	7,5	8100	5800	0,22
30	UCSS206	62	30	16	40,3	6	M6	22	8	11250	8400	0,40
35	UCSS207	72	32	17	48	6,5	M8	23,5	8,5	14700	11400	0,45
40	UCSS208	80	34	18	53	7	M8	25	9	16800	13400	0,62

**USE:** Where a high resistance to corrosion is required.

**GREASE NIPPLES**



A	C	D	NICKEL PLATED BRASS	STAINLESS STEEL AISI 304	
			ITEM DESCRIPTION		
M6	7	5,5	13,5	GNP-NPB-M6-55	-
M6	7	6	15	-	GNP-SS-M6-60
M6	7	8,5	18	-	GNP-SS-M6-85
1/8" gas	11	6	16	GNP-NPB-18-60	GNP-SS-18-60

GREASE NIPPLE 45°					
A	C	D	NICKEL PLATED BRASS	STAINLESS STEEL AISI 304	
			ITEM DESCRIPTION		
M6	9	8,5	28,5	-	GNP45-SS-M6-85
1/8" gas	11	5,5	24	GNP45-NPB-55	-

Chains & sprockets	Wear strips	Side guide brackets & accessories	Levelers	Engineering manual
Modular belts & sprockets	Chain & belt return systems	Frame & structure supports	<b>Bearing supports</b>	
Curves & tracks	Side guide solutions	Miscellaneous products	Equipment	

**56300b**

**LOOSE SAFETY CAPS**

[www.SystemPlastSmartGuide.com](http://www.SystemPlastSmartGuide.com)



Clip-on safety cap

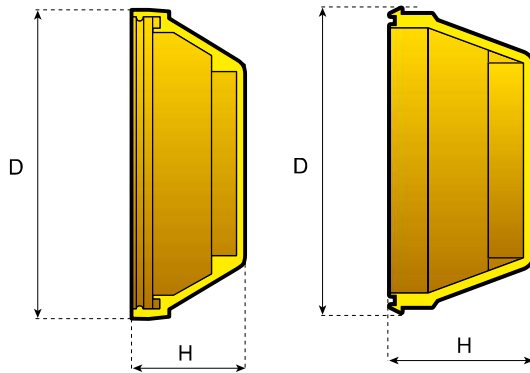
**COLOUR**

- Safety cap in yellow polypropylene.
- For sufficient quantities parts can be produced in different colors or in transparent.



**TYPE A**

**TYPE B**

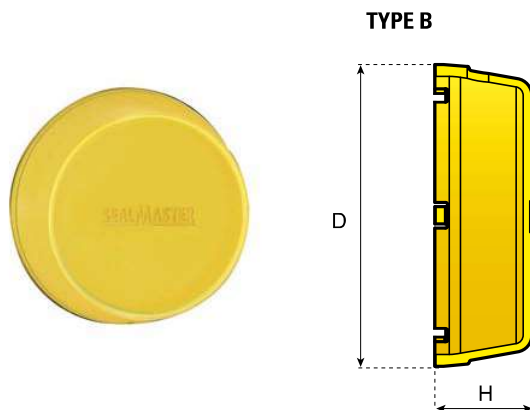


OPEN VERSION	CLOSED VERSION	TYPE	D	H
ITEM DESCRIPTION				
50001APE	50001	A	80	29,5
50002APE	50002	A	96	40
50003AAPE	50003A	A	71	34,5
50004APE	50004	A	87,5	40,5
50007APE	50007	A	62	30
50008APE	50008	A	56	29,5
50009APE	50009	B	60	28
50010APE	50010	B	78	32
50011APE	50011	A	69	32
50012APE	50012	B	51,5	19,5
50013APE	50013	B	58,5	28
50014APE	50014	B	84	30
50027APE	50027	A	67,5	32

Clip-on safety cap for Sealmaster® Triathlon® bearing.

**COLOUR**

- Safety cap in polypropylene (transparent-yellow).



OPEN VERSION	CLOSED VERSION	TYPE	D	H
ITEM DESCRIPTION				
CAP7023-B30M-P-YT-SE	CAP-C7023-IF-YT-SE	B	70	23
CAP8437-B40M-P-YT-SE	CAP-C8437-IF-YT-SE	B	84	37

Chains and sprockets	Wear strips	Side guide brackets and accessories	Levelers	Engineering manual
Modular belts and sprockets	Chain and belt return systems	Frame and structure supports	Bearing supports	
Curves and tracks	Side guide solutions	Miscellaneous products	Equipment	

**7 3 0 5 2 a BEARINGS MOUNTING INSTRUCTIONS**

**LOCKING WITH GRUB SCREW AND ECCENTRIC RING**



continue ►

Bearing selection.  
Go to:

**7 3 5 4 2 a**

**NOTES:**

1. Additional bearing installation, relubrication and maintenance instructions can be found on our website: <https://www.regalpts.com/resources/literature>
2. The bearing is pre-lubricated with an H1 grade, synthetic base oil, complex calcium sulfonate soap thickener NLGI 2 grease. Re-greasing is not required during installation. When re-greasing, we recommend re-greasing with a compatible grease. When feasible the bearing should be rotated while re-greasing for a better distribution of the grease.
3. Bearing assemblies are supplied with a lubrication fitting installed in the housing and may contain a plug supplied loose in the bag or box. If you want to make the bearing assembly non-re-greaseable, remove the lubrication fitting and install the plug. In general, re-greasing will help promote operating bearing life. For more details refer to Lubrication chapter at **7 3 0 5 4 a**

**INSTALLATION STEPS**

**STEP 1: INSPECT SHAFT AND BORE**

Shaft should be within tolerance range shown in Table 1, clean and free of nicks and burrs.

1. Mount bearing on unused section of shafting or repair/ replace shafting as required.
2. Inspect both the shaft and bearing bore for debris or contaminants. Wipe clean as necessary.



**TABLE 1**

SHAFT DIAMETER	SHAFT TOLERANCE
1/2" to 1 1/2"	Nominal to -.0005"
12mm to 40mm	Nominal to -.013mm

**STEP 2: CHECK SUPPORT SURFACES**

Make sure the base of the housing and the support surfaces are clean and free from burrs.

If the housing elevation is adjusted with shims these must cover the entire contact area between the housing and the support surface.

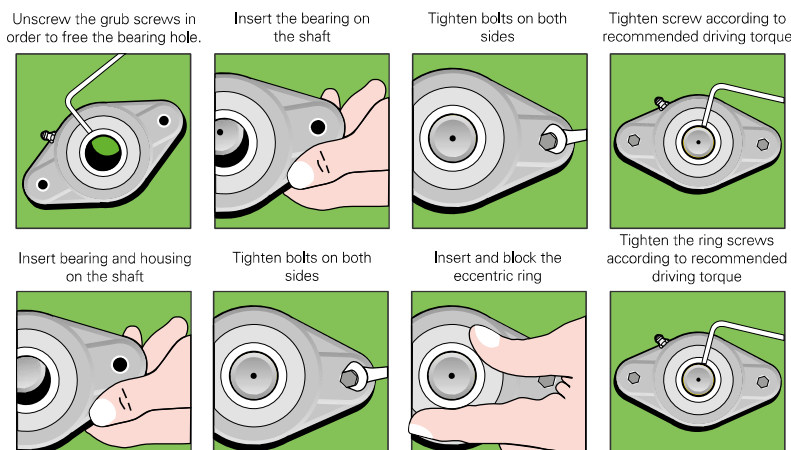
**STEP 3: INSTALL UNIT**

To aid installation, keep weight off bearing during mounting. Slide unit onto shaft by pushing on the inner ring.

If it is difficult to mount bearing on shaft, use a piece of emery cloth to reduce high spots on shaft.

**STEP 4: FASTEN UNIT IN PLACE**

Install housing mounting bolts and check bearing alignment. Align the bearing units as closely as possible. Tighten mounting bolts to recommended fastener torques. Check the shaft for freedom of rotation by rotating shaft with hand in both directions.



**STEP 5: TIGHTEN LOCKING MECHANISM. 7 3 0 5 3 a**



**INSPECTION AND MAINTENANCE - General index 7 3 0 1 0 a -**

continue ►

- |                                                                  |                                                     |                                            |
|------------------------------------------------------------------|-----------------------------------------------------|--------------------------------------------|
| <b>7 3 0 1 5 a</b> Parameters affecting service life             | <b>7 3 0 3 0 a</b> Mounting and removal of belt     | <b>7 3 0 4 7 a</b> Installation of curves  |
| <b>7 3 0 1 7 a</b> Cleaning and maintenance                      | <b>7 3 0 4 1 a</b> Powerflex™ assembly instructions | <b>7 3 0 5 8 a</b> How to identify a curve |
| <b>7 3 0 2 3 a</b> Inspection procedure and replacement criteria | <b>7 3 0 4 5 a</b> Installation procedure           | <b>7 3 0 6 2 a</b> Troubleshooting         |



Chains and sprockets	Wear strips	Side guide brackets and accessories	Levelers	Engineering manual
Modular belts and sprockets	Chain and belt return systems	Frame and structure supports	Bearing supports	
Curves and tracks	Side guide solutions	Miscellaneous products	Equipment	

**7 3 0 5 3 a** **BEARINGS MOUNTING INSTRUCTIONS**

**LOCKING WITH GRUB SCREW AND ECCENTRIC RING**

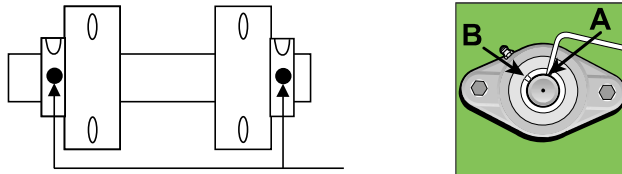


**INSTALLATION STEPS**

**STEP 5: TIGHTEN LOCKING MECHANISM**

**a. Setscrew (Grub screw) Locking Inserts**

Setscrews (Grub screws) in multiple bearing applications should be aligned as shown.



◀ back continue ▶

Bearing selection.  
Go to:

**7 3 5 4 2 a**

Tighten bearing units to the shaft as follows:

1. Torque first setscrew (grub screw) "A" to one half the recommended torque in table 2 or 3.
2. Torque the second setscrew (grub screw) "B" to the full recommend torque in table 2 or 3. Go back to "A" and tighten to full recommend torque.

**TABLE 2A AND 2B / AISI 52100 CHROME STEEL SETSCREW (GRUB SCREW) LOCKING**

BORE DIAMETER	SETSCREW (GRUB SCREW)	RECOMMENDED TORQUE	
		Nm	in-lbs
12, 15, 16, 17	M5x0.8	3.4	30
20, 25, 30	M6x1	5.4	48
35, 40	M8x1	11.3	100

BORE DIAMETER	SETSCREW (GRUB SCREW)	RECOMMENDED TORQUE	
		Nm	in-lbs
3/4, 1, 1 3/16, 1 1/4R, 1 1/4	1/4"-28	5.4	48
1 7/16, 1 1/2	5/16"-24	11.3	100

**TABLE 3A AND 3B / 400 SERIES STAINLESS SETSCREW (GRUB SCREW) LOCKING**

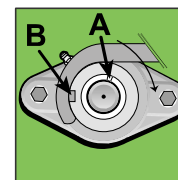
BORE DIAMETER	SETSCREW (GRUB SCREW)	RECOMMENDED TORQUE	
		Nm	in-lbs
20, 25, 30	M6x0.75	5.4	48
35, 40	M8x1	11.3	100

BORE DIAMETER	SETSCREW (GRUB SCREW)	RECOMMENDED TORQUE	
		Nm	in-lbs
3/4, 1, 1 3/16, 1 1/4R, 1 1/4	1/4"-28	5.4	48
1 1/4, 1 7/16, 1 1/2	5/16"-24	11.3	100

**B. ECCENTRIC LOCKING INSERTS**

1. Place collar on inner race and rotate by hand in direction of shaft rotation until eccentrics are engaged.
2. Use Spanner Wrench (as shown) or insert drift pin into the hole in the collar O.D. "B" and lock in direction of shaft rotation with the aid of small hammer.
3. Toque single setscrew (grub screw) "A" to recommended torque in Table 4.

Check shaft again for freedom of rotation and then tighten the second bearing unit in the same fashion. When all bearings are tightened, perform a final check to the shaft for freedom of rotation.



**TABLE 4A AND 4B / AISI 52100 CHROME STEEL ECCENTRIC LOCKING**

BORE DIAMETER	SETSCREW (GRUB SCREW)	RECOMMENDED TORQUE	
		Nm	in-lbs
12, 15, 16, 17, 20, 25	M6x1	5.4	48
30, 35, 40	M8x1	11.3	100

BORE DIAMETER	SETSCREW (GRUB SCREW)	RECOMMENDED TORQUE	
		Nm	in-lbs
3/4, 1	1/4"-28	5.4	48
1 3/16, 1 1/4, 1 7/16, 1 1/2	5/16"-24	11.3	100



For other installation instructions. Go to: **7 3 0 4 5 a**

**INSPECTION AND MAINTENANCE - General index 7 3 0 1 0 a -**

◀ back continue ▶

- |                                                                  |                                                     |                                            |
|------------------------------------------------------------------|-----------------------------------------------------|--------------------------------------------|
| <b>7 3 0 1 5 a</b> Parameters affecting service life             | <b>7 3 0 3 0 a</b> Mounting and removal of belt     | <b>7 3 0 4 7 a</b> Installation of curves  |
| <b>7 3 0 1 7 a</b> Cleaning and maintenance                      | <b>7 3 0 4 1 a</b> Powerflex™ assembly instructions | <b>7 3 0 5 8 a</b> How to identify a curve |
| <b>7 3 0 2 3 a</b> Inspection procedure and replacement criteria | <b>7 3 0 4 5 a</b> Installation procedure           | <b>7 3 0 6 2 a</b> Troubleshooting         |



Chains and sprockets	Wear strips	Side guide brackets and accessories	Levelers	Engineering manual
Modular belts and sprockets	Chain and belt return systems	Frame and structure supports	Bearing supports	
Curves and tracks	Side guide solutions	Miscellaneous products	Equipment	

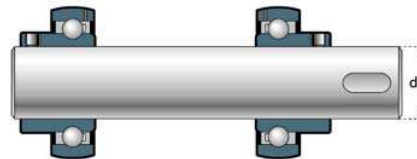
**7 3 0 5 4 a** **BEARINGS MOUNTING INSTRUCTIONS**

**LUBRICATION AND MAINTENANCE**

**PLAIN SHAFT**

**SUPPORTS FOR SHAFTS WITH CONSTANT DIAMETER (PLAIN) HAVE MAIN CHARACTERISTICS:**

- Compensation for mistakes in alignment.
- Adaptability to shaft deflections.
- Resistance against chemical agents.
- Support of radial loads.
- Support of light axial loads.
- High load capacity.



◀ back continue ▶

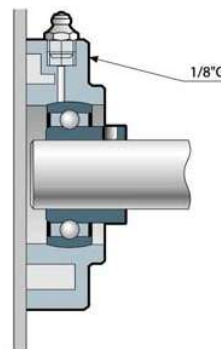
Bearing selection.  
Go to:

**7 3 5 4 2 a**

**LUBRICATION AND MAINTENANCE**

Bearing assemblies are supplied with a lubrication fitting installed in the housing and may contain a plug supplied loose in the bag or box. If you want to make the bearing assembly non-greaseable, remove the lubrication fitting and install the plug. In general, re-greasing will help promote operating bearing life.

SUPPORT TYPE	GREASE-NIPPLE TYPE
CL..	M6
CS..	M6
SQL..	M6
UCF..	1/8" GAS
UCFB..	M6
UCFG..	M6
UCFH..	M6
UCFL..	1/8" GAS
UCFQ..	M6
UCHE..	M6
UCP..	M6
UCPA..	M6
UCT..	M6
UCTT..	M6



**TYPE OF LUBRICANT**

The bearing is pre-lubricated with an H1 grade, synthetic base oil, complex calcium sulfonate soap thickener NLGI 2 grease. Re-greasing is not required during installation. When re-greasing, we recommend re-greasing with a compatible grease.

**PRE-LUBRICATION**

Lips of seals must be lubricated during assembly to avoid damage during the first revolutions of the shaft.

**RE-LUBRICATION**

Bearing supports must be lubricated while moving, so that grease can cover the whole surface of balls. Grease must be introduced slowly, often and in small quantities.

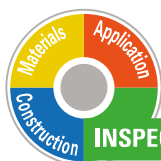
Pressure of the grease gun should be between 1.3 and 2.0 bar, otherwise you risk blowing out the seals with re-greasing.

**LUBRICATION INTERVAL**

Lubrication periods depend on use conditions of bearing supports. Dust, humidity, load, temperature significantly affect the interval of time between relubrication.

The table shows indicative values for relubrication periods.

USE CONDITIONS	TEMPERATURE		RE-LUBRICATION PERIOD (MONTHS)
	°C	°F	
clean	up to 50	up to 120	6 - 12
clean	50 - 70	120 - 160	4 - 8
clean	70 - 100	160 - 210	1 - 3
dirty	up to 70	up to 160	0,5 - 2
dirty	70 - 100	160 - 210	0,5 - 1
humid+wet	-	-	0,5



**INSPECTION AND MAINTENANCE - General index 7 3 0 1 0 a -**

◀ back continue ▶

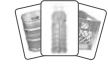
- |                                                                  |                                                     |                                            |
|------------------------------------------------------------------|-----------------------------------------------------|--------------------------------------------|
| <b>7 3 0 1 5 a</b> Parameters affecting service life             | <b>7 3 0 3 0 a</b> Mounting and removal of belt     | <b>7 3 0 4 7 a</b> Installation of curves  |
| <b>7 3 0 1 7 a</b> Cleaning and maintenance                      | <b>7 3 0 4 1 a</b> Powerflex™ assembly instructions | <b>7 3 0 5 8 a</b> How to identify a curve |
| <b>7 3 0 2 3 a</b> Inspection procedure and replacement criteria | <b>7 3 0 4 5 a</b> Installation procedure           | <b>7 3 0 6 2 a</b> Troubleshooting         |



Chains and sprockets	Wear strips	Side guide brackets and accessories	Levelers	Engineering manual
Modular belts and sprockets	Chain and belt return systems	Frame and structure supports	Bearing supports	
Curves and tracks	Side guide solutions	Miscellaneous products	Equipment	

**7 3 0 5 5 a** **BEARINGS MOUNTING INSTRUCTIONS**

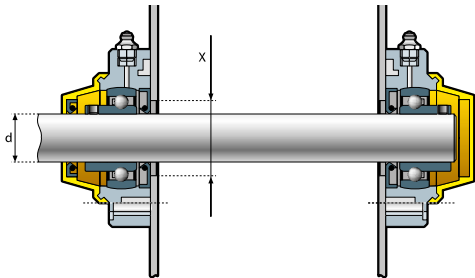
**MOUNTING INSTRUCTIONS**



**FLANGED BEARING SUPPORTS FOR PLAIN SHAFT**

Dimension "X" must be maintained using supports with seals.

◀ back continue ▶



**INDICATIONS FOR HOLE IN FRAME FOR SHAFT**

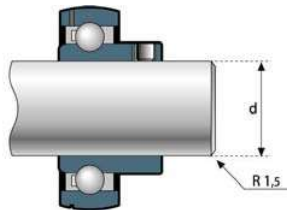
D	X	
	MIN	MAX
(mm)		
12	18	30
15	21	30
16	22	30
17	23	30
20	26	30
25	29	31
30	36	42
35	41	47
40	46	47

D	X	
	MIN	MAX
(in.)		
3/4	1	1 1/8
1	1 1/8	1 1/4
1 3/16	1 7/16	1 5/8
1 1/4	1 1/2	1 5/8
1 7/16	1 3/4	1 7/8
1 1/2	1 3/4	1 7/8

Bearing selection.  
Go to:

**7 3 5 4 2 a**

Both ends of the shaft must be made round to simplify assembly of supports. Tolerance of shaft depends on diameter and number of revolutions.



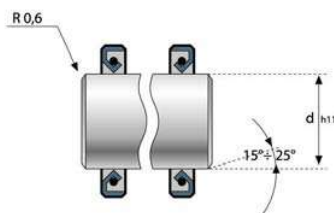
**Coupling shaft/support**

LOW SPEED	AVERAGE SPEED	HIGH SPEED
h9	h8	h7

The drawing shows chamfers and radii necessary to mount supports with seals correctly.

The shaft surface must be smooth and without defects.

Seal lips and shaft must be well lubricated before assembly.



**Coupling shaft/seals**



**INSPECTION AND MAINTENANCE - General index 7 3 0 1 0 a -**

◀ back continue ▶

- 7 3 0 1 5 a** Parameters affecting service life
- 7 3 0 3 0 a** Mounting and removal of belt
- 7 3 0 4 7 a** Installation of curves
- 7 3 0 1 7 a** Cleaning and maintenance
- 7 3 0 4 1 a** Powerflex™ assembly instructions
- 7 3 0 5 8 a** How to identify a curve
- 7 3 0 2 3 a** Inspection procedure and replacement criteria
- 7 3 0 4 5 a** Installation procedure
- 7 3 0 6 2 a** Troubleshooting



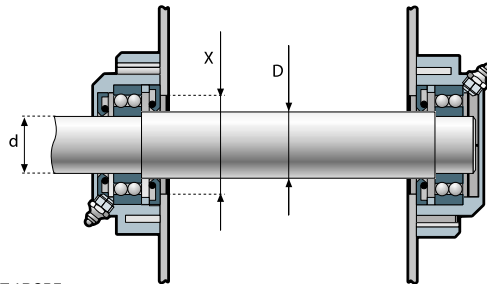
Chains and sprockets	Wear strips	Side guide brackets and accessories	Levelers	Engineering manual
Modular belts and sprockets	Chain and belt return systems	Frame and structure supports	Bearing supports	
Curves and tracks	Side guide solutions	Miscellaneous products	Equipment	

**7 3 0 5 6 a** **BEARINGS MOUNTING INSTRUCTIONS**

**MOUNTING INSTRUCTIONS**

**FLANGED BEARING SUPPORTS FOR SHOULDERED SHAFT**

Dimension "X" must be maintained using supports with seals.



◀ back

Bearing selection.  
Go to:

**7 3 5 4 2 a**

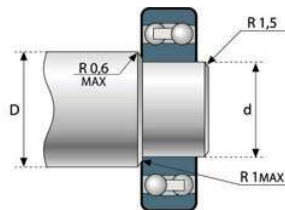
**DIMENSION SHAFT / BORE**

d		D		X	
in	mm	in	mm	in	mm
0.98	25	1.18	30	1.37 - 1.77	35 - 45
1.18	30	1.37	35	1.77 - 2.16	45 - 55
1.37	35	1.57	40	1.96 - 2.36	50 - 60
1.57	40	1.77	45	2.16 - 2.75	55 - 70

The drawing shows some value that must be carefully maintained.

Diameter "d" near the bearing must have a tolerance between -0.02 mm and -0.05mm.

With heavy radial loads the coupling must be slightly forced.

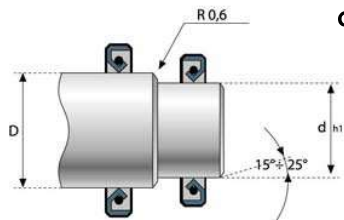


**Coupling shaft/support**

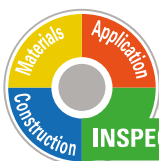
The drawing shows chamfers and radii necessary to mount supports with seals correctly.

The shaft surface must be smooth and without defects.

Seal lips and shaft must be well lubricated before assembly



**Coupling shaft/seals**



**INSPECTION AND MAINTENANCE - General index 7 3 0 1 0 a -**

◀ back

**7 3 0 1 5 a** Parameters affecting service life

**7 3 0 3 0 a** Mounting and removal of belt

**7 3 0 4 7 a** Installation of curves

**7 3 0 1 7 a** Cleaning and maintenance

**7 3 0 4 1 a** Powerflex™ assembly instructions

**7 3 0 5 8 a** How to identify a curve

**7 3 0 2 3 a** Inspection procedure and replacement criteria

**7 3 0 4 5 a** Installation procedure

**7 3 0 6 2 a** Troubleshooting

Chains & sprockets	Wear strips	Side guide brackets & accessories	Levelers	Engineering manual
Modular belts & sprockets	Chain & belt return systems	Frame & structure supports	Bearing supports	
Curves & tracks	Side guide solutions	Miscellaneous products	Equipment	

**7 3 5 4 2 a**

**BEARING SELECTION**

**BEARING**



continue ►

Bearing mounting.  
Go to:

**7 3 0 5 2 a**

**BEARING SELECTION:**

The following general information will serve the purpose of aiding the machine designer or bearing user when applying the bearings covered in System Plast® catalog.

Before beginning the bearing selection for a particular application, it is important to have a good idea of where the bearing will be installed, what its purpose will be, what operating conditions will the bearing be expected to function in, and a desired bearing life. Each bearing type has certain characteristics which make it suitable for a certain application(s). Having comprehensive knowledge of these requirements will aid in bearing selection. In most cases, there are several factors to consider when choosing a bearing type. Therefore, the following information is to be used only as a guide. In the selection process the following factors must be considered:

magnitude and direction of load; misalignment (static or dynamic), noise; vibration and shock loading, environment and bearing type.

**LOAD - MAGNITUDE AND DIRECTION**

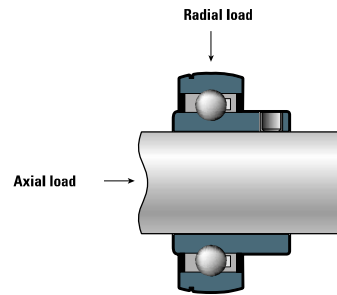
Load magnitude typically dictates size of bearing required but it can also affect the type of bearing. Ball bearings work well in light to moderate loads typical of conveyor applications. Load direction can be radial, axial, or a combination of these two directions. These directions along with load magnitude are deciding factors in selection of bearing type.

System Plast® bearings are mostly used in application where there are only radial load or radial loading plus slight axial load.

Radial loading is the most common type of bearing load and is defined as a load perpendicular to the shaft center line. Most ball bearings are designed to accept primarily radial loads.

Axial loading is defined as loading in the direction through the shaft centerline.

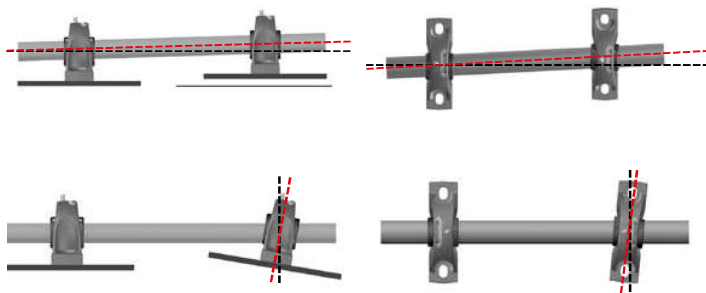
Combination loading consists of both a radial and a thrust load acting simultaneously on the bearing. When combination loads are acting on a bearing it is necessary to determine an equivalent radial load when calculating bearing life.



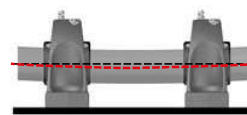
**MISALIGNMENT**

Bearing misalignment is a result of angular misalignment between the shaft and housing. This misalignment comes in two different forms, static and dynamic. Static misalignment is the outcome of bearings that are mounted on different planes causing an angular shaft displacement and resulting in the bearing operating under fixed misalignment angle. Mounted ball bearings have a design feature that allows them to accommodate a limited degree of fixed misalignment. Dynamic misalignment is an eccentric shaft rotation caused by shafting imperfections and resulting in the bearing operating under a varying misalignment angle.

**Static System Misalignment**



**Dynamic System Misalignment**



Each bearing type is capable of accommodating a certain amount of either static, dynamic, or combination misalignment. When application misalignment exceeds the allowable limit for the particular bearing, increased contact stresses between bearing rolling elements and raceways occurs and bearing life is reduced. Individual product sections contain additional information regarding degrees of misalignment each bearing type is capable of handling.



**MATERIALS AND CALCULATIONS - General index 7 3 5 1 0 a -**

continue ►

**7 3 5 4 7 a** Bearing and shaft

**7 3 5 2 2 a** Pressure of accumulation products

**7 3 5 2 8 a** 2500RR calculations

**7 3 5 1 5 a** Product handling

**7 3 5 2 4 a** 90° product transfer with belts

**7 3 5 3 3 a** 2253RTC calculations

**7 3 5 1 9 a** Product handling maximum acceleration

**7 3 5 2 6 a** Thermal expansion

**7 3 5 7 8 a** Coefficient of friction of standard materials



Chains & sprockets	Wear strips	Side guide brackets & accessories	Levelers	Engineering manual
Modular belts & sprockets	Chain & belt return systems	Frame & structure supports	Bearing supports	
Curves & tracks	Side guide solutions	Miscellaneous products	Equipment	

7 3 5 4 3 a

**BEARING SELECTION**

**BEARING**

**NOISE:**

Noise sensitive applications require smooth running of bearings. These are typically low duty environments which makes ball bearings a good choice. Concentric or Skwezloc® locking mechanisms are preferred to keep vibration at a minimum.



◀ back continue ▶

**VIBRATION AND SHOCK LOADING:**

Vibration and shock loading can be present in some applications and can transfer large forces to bearings and accompanying raceways. These loads create large stresses at the interface between the rolling elements and raceways and can cause considerable damage and a reduction of bearing life.

Bearing mounting.  
Go to:

7 3 0 5 2 a ▶

**ENVIRONMENT:**

Environmental factors such as solids contamination exposure to moisture and thermal conditions are important variables in bearing selection. Bearing components (seals, grease, bearing material, etc..) can be modified in order to better suit a specialized application. Availability of special features may be affected by shaft size, bearing type, and housing type therefore this must be considered in the bearing selection process. Individual product sections contain additional information regarding these specialized features and availability.

**BEARING TYPE: RADIAL BALL BEARINGS**

Radial ball bearings create a fairly small elliptical contact between the ball-path and rolling element thus distributing loads across a small area. Surface contact is minimized and less friction and heat is generated which allows ball bearings a higher speed range. This small contact area also limits ball bearings to accepting only light to moderate loads. Radial ball bearings have a zero-degree free contact angle but can accept light thrust loads (in combination with a radial load) due to the shape geometry of their raceways. Mounted ball bearing units have some degree of external static self-aligning capability (the bearing insert can misalign with respect to the housing). Mounted ball bearings come in a variety of housing styles and features to suit a wide variety of applications. Only "radial" ball-bearing type are available from System Plast® product range.



**MATERIALS AND CALCULATIONS - General index** 7 3 5 1 0 a -

◀ back continue ▶

7 3 5 4 7 a **Bearing and shaft**

7 3 5 2 2 a **Pressure of accumulation products**

7 3 5 2 8 a **2500RR calculations**

7 3 5 1 5 a **Product handling**

7 3 5 2 4 a **90° product transfer with belts**

7 3 5 3 3 a **2253RTC calculations**

7 3 5 1 9 a **Product handling maximum acceleration**

7 3 5 2 6 a **Thermal expansion**

7 3 5 7 8 a **Coefficient of friction of standard materials**

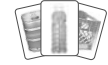


Chains & sprockets	Wear strips	Side guide brackets & accessories	Levelers	Engineering manual
Modular belts & sprockets	Chain & belt return systems	Frame & structure supports	Bearing supports	
Curves & tracks	Side guide solutions	Miscellaneous products	Equipment	

**7 3 5 4 4 a**

**BEARING SELECTION**

**BEARING**



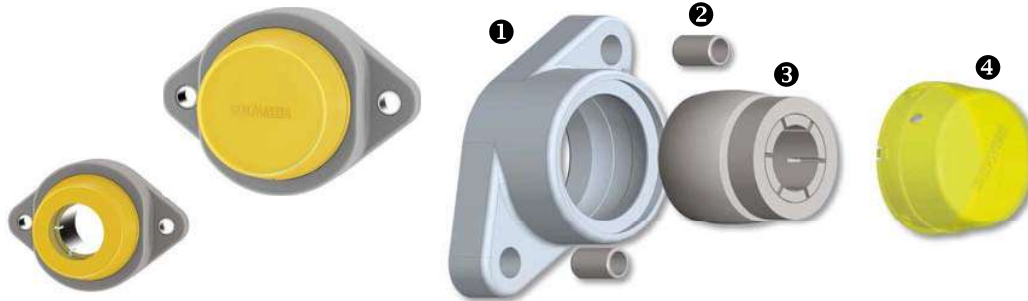
**BEARINGS DRAWING EXPLODED VIEW**

**FREE MAINTENANCE BEARING: TRIATHLON® WASHDOWN BEARING - 2 HOLE VERSIONS - SKWEZLOC® BEARING**

◀ back continue ▶

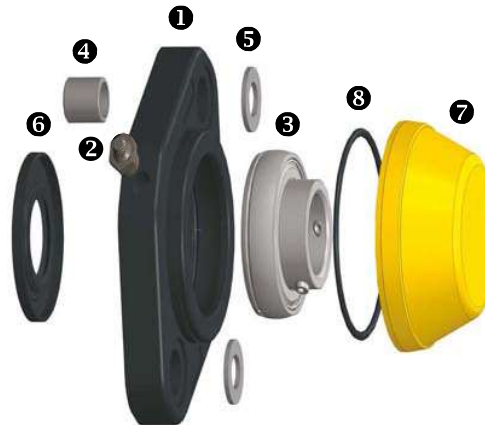
Bearing mounting.  
Go to:

**7 3 0 5 2 a**

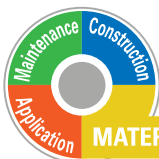


POS.	ITEM DESCRIPTION	QTY
1	Bearing housing machined oval	1
2	Spacer Ø 14mm	2
3	Bearing PN-206T with SKWEZLOC® concentric locking collar	1
4	Safety cap	1

**FLANGED HOUSINGS - 2 HOLE VERSIONS - GRUB SCREW LOCK**



POS.	ITEM DESCRIPTION	QTY
1	Bearing housing machined oval	1
2	Grease nipple 1/8"	1
3	Bearing with screw	1
4	Spacer Ø 14mm	2
5	Washer	2
6	Heavy ring double lips	1
7	Safety cap	1
8	O-ring	1



**MATERIALS AND CALCULATIONS - General index 7 3 5 1 0 a -**

◀ back continue ▶

**7 3 5 4 7 a** Bearing and shaft

**7 3 5 2 2 a** Pressure of accumulation products

**7 3 5 2 8 a** 2500RR calculations

**7 3 5 1 5 a** Product handling

**7 3 5 2 4 a** 90° product transfer with belts

**7 3 5 3 3 a** 2253RTC calculations

**7 3 5 1 9 a** Product handling maximum acceleration

**7 3 5 2 6 a** Thermal expansion

**7 3 5 7 8 a** Coefficient of friction of standard materials



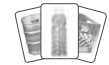


Chains & sprockets	Wear strips	Side guide brackets & accessories	Levelers	Engineering manual
Modular belts & sprockets	Chain & belt return systems	Frame & structure supports	Bearing supports	
Curves & tracks	Side guide solutions	Miscellaneous products	Equipment	

7 3 5 4 5 a

**BEARING SELECTION**

**BEARING**

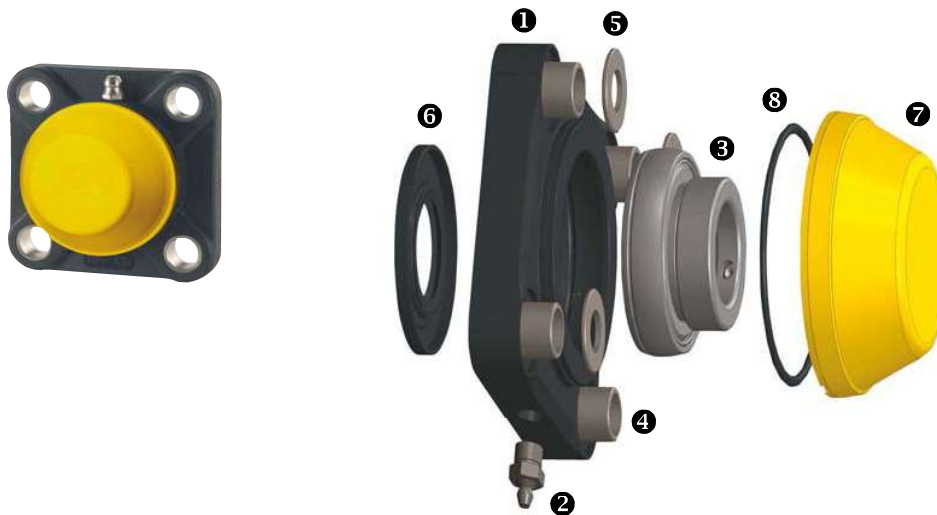


◀ back

Bearing mounting.  
Go to:

7 3 0 5 2 a ▶

**FLANGED HOUSINGS - 4 HOLE VERSIONS - ECCENTRIC LOCK**



POS.	ITEM DESCRIPTION	QTY
1	Bearing Housing	1
2	Grease nipple 1/8"	1
3	Bearing with eccentric ring	1
4	Spacer	4
5	Washer	4
6	Heavy ring double lips	1
7	Safety cap	1
8	O-ring	1



**MATERIALS AND CALCULATIONS - General index** 7 3 5 1 0 a -

◀ back

7 3 5 4 7 a Bearing and shaft

7 3 5 2 2 a Pressure of accumulation products

7 3 5 2 8 a 2500RR calculations

7 3 5 1 5 a Product handling

7 3 5 2 4 a 90° product transfer with belts

7 3 5 3 3 a 2253RTC calculations

7 3 5 1 9 a Product handling maximum acceleration

7 3 5 2 6 a Thermal expansion

7 3 5 7 8 a Coefficient of friction of standard materials



Chains & sprockets	Wear strips	Side guide brackets & accessories	Levelers	Engineering manual
Modular belts & sprockets	Chain & belt return systems	Frame & structure supports	Bearing supports	
Curves & tracks	Side guide solutions	Miscellaneous products	Equipment	



continue ▶

Bearing mounting.  
Go to:

**7 3 0 5 2 a**

**SHAFT SIZE:**

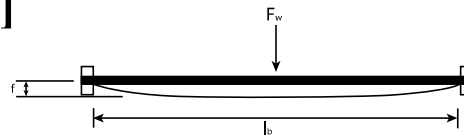
**THE SHAFT MUST FULFILL THE FOLLOWING CONDITIONS:**

- Maximum shaft deflection  $F_{max}$  under full load ( $F_w$ ) is 2,5 mm (0.10 in). If the calculated shaft deflection exceeds this max value, select a bigger shaft size or install an intermediate supported bearing on the shaft.
- Torque (**Ts**) at maximum load must be below critical value;  
Shaft maximum deflection under concentrated load applied in the center can be calculated with following formula:

**2 BEARINGS**

$$f = \frac{5}{384} * F_w \frac{l_b^3}{E * I} \text{ [mm]: } F_w \text{ [N], } l_b \text{ [mm], } I \text{ [mm}^4\text{], } E \left[ \frac{\text{N}}{\text{mm}^2} \right]$$

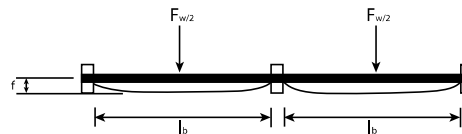
$$f = \frac{5}{384} * F_w \frac{l_b^3}{E * I} \text{ [in]: } F_w \text{ [lb], } l_b \text{ [in], } I \text{ [in}^4\text{], } E \left[ \frac{\text{lb}}{\text{in}^2} \right]$$



**3 BEARINGS**

$$f = \frac{1}{370} * F_w \frac{l_b^3}{E * I} \text{ [mm]: } F_w \text{ [N], } l_b \text{ [mm], } I \text{ [mm}^4\text{], } E \left[ \frac{\text{N}}{\text{mm}^2} \right]$$

$$f = \frac{1}{370} * F_w \frac{l_b^3}{E * I} \text{ [in]: } F_w \text{ [lb], } l_b \text{ [in], } I \text{ [in}^4\text{], } E \left[ \frac{\text{lb}}{\text{in}^2} \right]$$



For uni-directional head drive  $F_w = T$ ,

For bi-directional center drive  $F_w = 2 * T$ ,

For uni-directional pusher drives  $F_w = 2.2 * T$ ,

For modulus of elasticity (E) use: 200,000 N/mm<sup>2</sup> or 28,500,000 lb/in<sup>2</sup>. Values are for carbon steel (C50) or stainless steel AISI 304/316. Modulus of elasticity for other materials can be referenced via industry standards.

MOMENT OF INERTIA FOR SOLID SHAFTS (I)			
SHAFT SIZE		INERTIA	
mm	in.	mm <sup>4</sup>	in <sup>4</sup>
<b>SQUARE SHAFTS</b>			
25	-	32552	-
40	-	213333	-
60	-	1080000	-
90	-	5467500	-

Moment of inertia can be calculated for all shaft diameter and shape. It's a geometrical property of the shaft.

MOMENT OF INERTIA FOR SOLID SHAFTS (I)			
SHAFT SIZE		INERTIA	
mm	in.	mm <sup>4</sup>	in <sup>4</sup>
<b>ROUND SHAFTS</b>			
20	-	7850	-
25	-	19150	-
30	-	39750	-
35	-	73650	-
40	-	125600	-
45	-	201200	-
50	-	306650	-
55	-	449000	-
60	-	635850	-
80	-	2009600	-
90	-	3220000	-
-	1	-	0.049
-	1.1875	-	0.098
-	1.25	-	0.120
-	1.4375	-	0.210
-	1.5	-	0.248



continue ▶

**7 3 5 4 2 a** Bearing selection

**7 3 5 2 2 a** Pressure of accumulation products

**7 3 5 2 8 a** 2500RR calculations

**7 3 5 1 5 a** Product handling

**7 3 5 2 4 a** 90° product transfer with belts

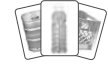
**7 3 5 3 3 a** 2253RTC calculations

**7 3 5 1 9 a** Product handling maximum acceleration

**7 3 5 2 6 a** Thermal expansion

**7 3 5 7 8 a** Coefficient of friction of standard materials

Chains & sprockets	Wear strips	Side guide brackets & accessories	Levelers	Engineering manual
Modular belts & sprockets	Chain & belt return systems	Frame & structure supports	Bearing supports	
Curves & tracks	Side guide solutions	Miscellaneous products	Equipment	



**BEARING CALCULATIONS FOR SERIES UC AND UF:**

**STATIC LOAD CALCULATION:**

In case the bearing is loaded without rotating, very slowly rotating or is making a slow oscillating movement, the bearing power is not determined by the fatigue life of the material but by the deformation of the rollers and the groove. This calculation is also valid if at a fraction of the rotation a shock load is present.

$$P_0 = X_0 * F_r + Y_0 * F_a = 0.6 * F_r + 0.5 * F_a$$

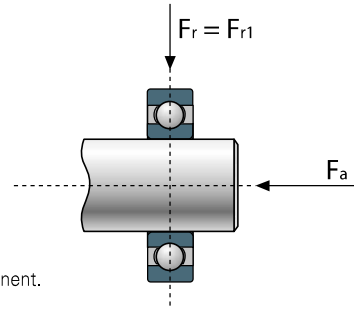
$P_0$  equivalent static load [N];

$X_0$  radial static factor;

$F_r$  radial load [N];

$Y_0$  axial static factor;

$F_a$  axial load [N];



◀ back continue ▶

Bearing mounting.  
Go to:

**7 3 0 5 2 a**

$P_0$  is calculated when there is not only a radial component in the load but also an axial component.

When the load on the bearing is strictly radial the equivalent static load  $P_0 = F_r$ .

The minimum static load coefficient  $C_0$  is calculated while taking into account the static safety factor  $S_0$ .

Then in the bearing tables the right size bearing can be found checking the  $C_a$ .

$$C_0 = S_0 * P_0$$

$C_0$  static load coefficient in [N]

$S_0$  static safety factor;

$S_0 = 1$  for normal circumstances,

= 1.5 when vibrations are involved and

= 2 - 2.5 for noiseless applications.

**DYNAMIC LOAD CALCULATION:**

For normal circumstances, the dynamic load coefficient is calculated and compared to the equivalent dynamic load to determine the theoretical service life of the bearing. The calculated service life is then compared to the standard for the application and industry.

$$L_{10} = \left( \frac{C}{P} \right)^3$$

$L_{10}$  = nominal life time in millions of revolutions  
 $C$  = dynamic load coefficient in [N]  
 $P$  = equivalent dynamic load [N]

When bearings run at constant speed, their life can be determined in working hours:

$$L_{10h} = \frac{1.000.000}{60n} * \left( \frac{C}{P} \right)^3$$

$L_{10h}$  = life in hours.  
 $n$  = speed [rpm].

When the load on the bearing is strictly radial the equivalent dynamic load  $P = F_r$ .

When there's also an axial load involved the equivalent dynamic load is:

$$P = X * F_r + Y * F_a$$



◀ back continue ▶

**7 3 5 4 2 a** Bearing selection

**7 3 5 2 2 a** Pressure of accumulation products

**7 3 5 2 8 a** 2500RR calculations

**7 3 5 1 5 a** Product handling

**7 3 5 2 4 a** 90° product transfer with belts

**7 3 5 3 3 a** 2253RTC calculations

**7 3 5 1 9 a** Product handling maximum acceleration

**7 3 5 2 6 a** Thermal expansion

**7 3 5 7 8 a** Coefficient of friction of standard materials



Chains & sprockets	Wear strips	Side guide brackets & accessories	Levelers	Engineering manual
Modular belts & sprockets	Chain & belt return systems	Frame & structure supports	Bearing supports	
Curves & tracks	Side guide solutions	Miscellaneous products	Equipment	

**7 3 5 4 9 a**

**BEARING AND SHAFT**

**BEARING**



**X** radial dynamic factor;

**Y** axial dynamic factor;

The axial force only influences the equivalent dynamic load when  $F_a / F_r > E$

◀ back continue ▶

CALCULATION FACTORS					
$F_a / C_0$	E	$F_a / F_r < E$		$F_a / F_r > E$	
		X	Y	X	Y
0.025	0.22	1	0	0.56	2
0.04	0.24	1	0	0.56	1.8
0.07	0.27	1	0	0.56	1.6
0.13	0.31	1	0	0.56	1.4
0.25	0.37	1	0	0.56	1.2
0.5	0.44	1	0	0.56	1

Bearing mounting.  
Go to:

**7 3 0 5 2 a**

**THE AXIAL LOAD SHOULD NEVER EXCEED 20% OF THE DYNAMIC LOAD COEFFICIENT (C).**

**INDICATIVE SPEED FOR SHAFT TOLERANCES:**

SHAFT DIAMETER		SHAFT TOLERANCES				
		h6	h7	h8	h9	h11
Limiting speeds - Shaft tolerance						
mm	in.	RPM				
Ø12	-	9500	6000	4300	1500	950
Ø15	-	9500	6000	4300	1500	950
Ø16	-	9500	6000	4300	1500	950
Ø17	-	9500	6000	4300	1500	950
Ø20	-	8500	5300	3800	1300	850
Ø25	-	7000	4500	3200	1000	700
Ø30	-	6300	4000	2800	900	630
Ø35	-	5300	3400	2200	750	530
Ø40	-	4800	3000	1900	670	480
-	Ø1	7000	4500	3200	1000	700
-	Ø1 3/16	6300	4000	2800	900	630
-	Ø1 1/4	5600	3600	2500	800	550
-	Ø1 7/16	5300	3400	2200	750	530
-	Ø1 1/2	5000	3100	2000	700	500



**MATERIALS AND CALCULATIONS - General index 7 3 5 1 0 a -**

◀ back continue ▶

**7 3 5 4 2 a** Bearing selection

**7 3 5 2 2 a** Pressure of accumulation products

**7 3 5 2 8 a** 2500RR calculations

**7 3 5 1 5 a** Product handling

**7 3 5 2 4 a** 90° product transfer with belts

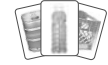
**7 3 5 3 3 a** 2253RTC calculations

**7 3 5 1 9 a** Product handling maximum acceleration

**7 3 5 2 6 a** Thermal expansion

**7 3 5 7 8 a** Coefficient of friction of standard materials



Chains & sprockets	Wear strips	Side guide brackets & accessories	Levelers	Engineering manual
Modular belts & sprockets	Chain & belt return systems	Frame & structure supports	Bearing supports	
Curves & tracks	Side guide solutions	Miscellaneous products	Equipment	





◀ back

**MAXIMUM RADIAL LOAD CAPACITY OF HOUSING:**



Values indicated in the table below, are obtained at 23°C. Value indicated: N, Values of polyamide version (values of polypropylene version in brackets), For further information please consult System Plast® SmartGuide® pages regarding bearing type you are interested in,



Series SQL ø mm				
12-15-16-17	6500	(-)	6000	(-)
20	5800	(-)	5300	(-)



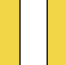
Series UC FH/UC FH-R ø mm				
12-15-16-17	6500	(-)	7000	(-)
20	7000	(-)	7500	(-)
25	7500	(-)	8000	(-)
30	8000	(-)	8800	(-)
35	8500	(-)	9000	(-)




Bearing mounting. Go to:



**7 3 0 5 2 a**




Series UC FL/UC FL-W ø mm				
20	6900	(3200)	7500	(3500)
25	6750	(2950)	7200	(3000)
30	12000	(5800)	13000	(6000)
35	11000	(5300)	12800	(6000)
40	10800	(5100)	12850	(5800)




Series UC FQ/UC FQ-R ø mm				
12-15-16-17	12000	(-)	12000	(-)
20	12500	(-)	11500	(-)
25	12500	(-)	11500	(-)
30	12800	(-)	11000	(-)
35	12300	(-)	10500	(-)
40	12000	(-)	10000	(-)

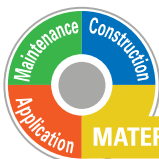
Series UC PA/UC PA-R ø mm						
20	6500	(3000)	2000	(1000)	4000	(1600)
25	7800	(3200)	2500	(1400)	4800	(1800)
30	11000	(4000)	2900	(1500)	5700	(2000)

Series UC T/UC T-R ø mm						
20	7800	(3200)	2500	(1400)	4800	(1800)
25	6500	(3000)	2000	(1000)	4000	(1600)
30	12000	(5500)	3500	(1800)	6000	(2400)
35	10000	(3600)	2900	(1500)	5500	(2000)

Series UC FG/UC FG-R ø mm				
20	12000	(-)	10000	(-)
25	12500	(-)	11000	(-)
30	12800	(-)	11500	(-)

Series UC HE/UC HE-R ø mm						
20	10000	(3600)	2500	(1400)	4800	(1800)
25	8500	(3200)	2000	(1000)	4000	(1600)
30	14000	(6500)	3500	(1800)	6000	(2400)
35	12000	(5500)	2900	(1500)	5500	(2000)

Series UC FA/UC FA-R ø mm						
20	8000	(-)	2000	(-)	2500	(-)
25	8500	(-)	3000	(-)	3000	(-)
30	9000	(-)	3500	(-)	3500	(-)



◀ back

**7 3 5 4 2 a** Bearing selection

**7 3 5 2 2 a** Pressure of accumulation products

**7 3 5 2 8 a** 2500RR calculations

**7 3 5 1 5 a** Product handling

**7 3 5 2 4 a** 90° product transfer with belts

**7 3 5 3 3 a** 2253RTC calculations

**7 3 5 1 9 a** Product handling maximum acceleration

**7 3 5 2 6 a** Thermal expansion

**7 3 5 7 8 a** Coefficient of friction of standard materials

